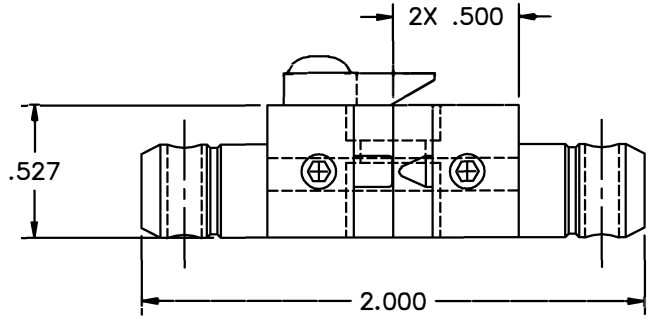
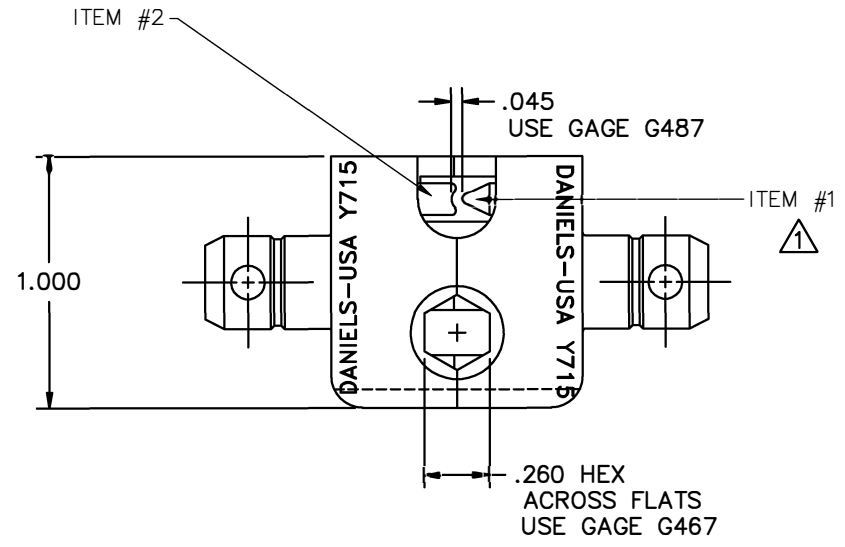


REVISIONS				
REV. SYM.	E.C.O. NUMBER	DESCRIPTION	BY DATE	APP'D DATE
2		UPDATED SETTING	ENF 1-18-10	RRR 1-18-10



**UNCONTROLLED DOCUMENT
WILL NOT BE UPDATED**



⚠ SET ITEM 1 FLUSH WITH DIE FACE AND LOCK; ADJUST GAGING WITH ITEM 2.

RESTRICTED & CONFIDENTIAL CONFIDENTIAL PROPERTY OF DANIELS MANUFACTURING CORP. NOT TO BE DISCLOSED TO OTHERS, REPRODUCED OR USED FOR ANY OTHER PURPOSE, EXCEPT AS AUTHORIZED IN WRITING BY DANIELS MANUFACTURING. MUST BE RETURNED TO DANIELS MANUFACTURING CORP. ON COMPLETION OF ORDER OR OTHER PURPOSE FOR WHICH LENT. DO NOT SCALE DRAWING	MATERIAL	ITEM	PART NO.	QTY.	DESCRIPTION/REMARKS										
	HEAT TREAT	DRN.	J. JOYCE	DATE 10/18/08	DANIELS MANUFACTURING CORP. ORLANDO, FLORIDA CAGE 11851										
	FINISH	CHK'D.	DE	DATE 10/08											
			APP'D.	DATE	TITLE	DIE SET ENVELOPE DRAWING									
		APP'D.	DATE	NOTE:	WHERE USED:										
				THIS DRAWING IS AN OUTLINE DRAWING OF THE RESPECTIVE DMC PART NUMBER INDICATED. ACTUAL DMC PART NUMBER IS DRAWING NUMBER WITHOUT THE "-ENV" SUFFIX.	<table border="1"> <tr> <td>SIZE B</td> <td>SCALE 2X</td> <td>CAD P/N Y715-ENV</td> <td>SHEET 1</td> <td>OF 1</td> </tr> <tr> <td>POSTING</td> <td>DWG. NO. Y715-ENV</td> <td>REV. 2</td> <td></td> <td></td> </tr> </table>	SIZE B	SCALE 2X	CAD P/N Y715-ENV	SHEET 1	OF 1	POSTING	DWG. NO. Y715-ENV	REV. 2		
SIZE B	SCALE 2X	CAD P/N Y715-ENV	SHEET 1	OF 1											
POSTING	DWG. NO. Y715-ENV	REV. 2													