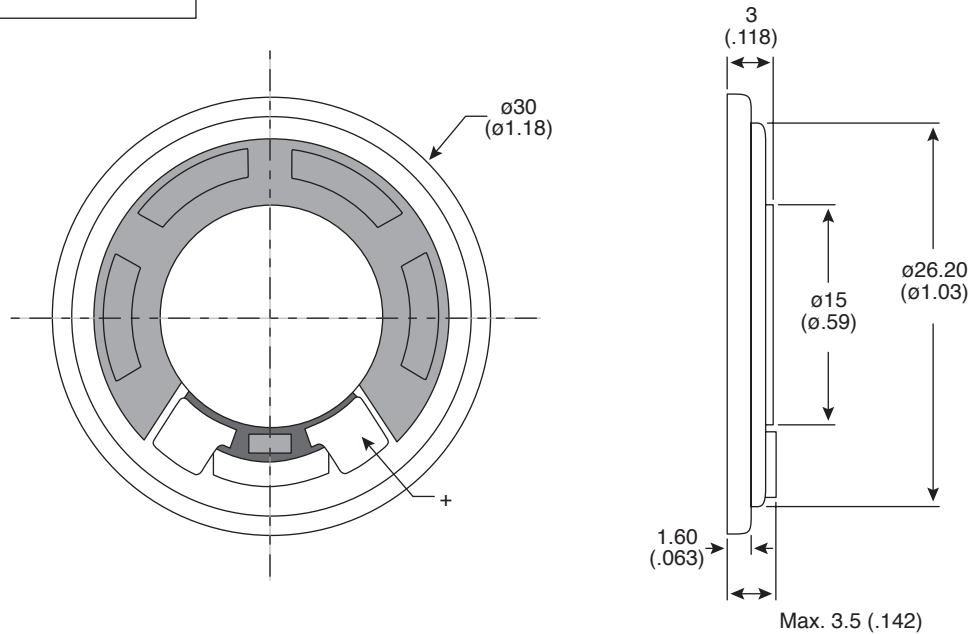
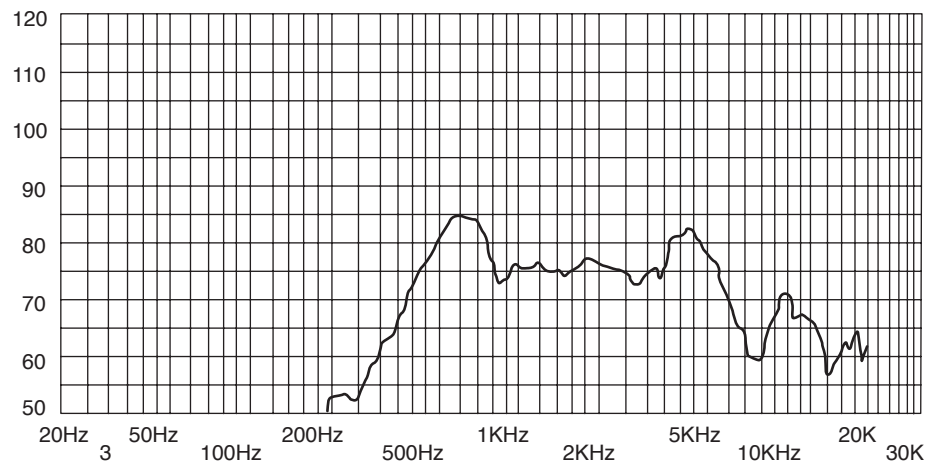


Part Number:

254-PS605-RO



Speaker



KT-400259

Electrical Specifications:

- Nominal Impedance: $8\Omega \pm 15\%$ @ 1,500Hz
- Power Rating: Normal 100mW Maximum 200mW
- Lowest Resonant Frequency: 550 ± 150 Hz.
- Output Sound Pressure Level (S.P.L.): 76 ± 3 dB / 0.1W 0.5 Meter. Avg at 800 ~ 1500Hz.
- Frequency Range: 350 ~ 6,800Hz
- Distortion: Max. 5% at 800Hz. 100mW

Material:

- Magnet: Rare Earth
- Weight: 4.2g
- RoHS Compliant