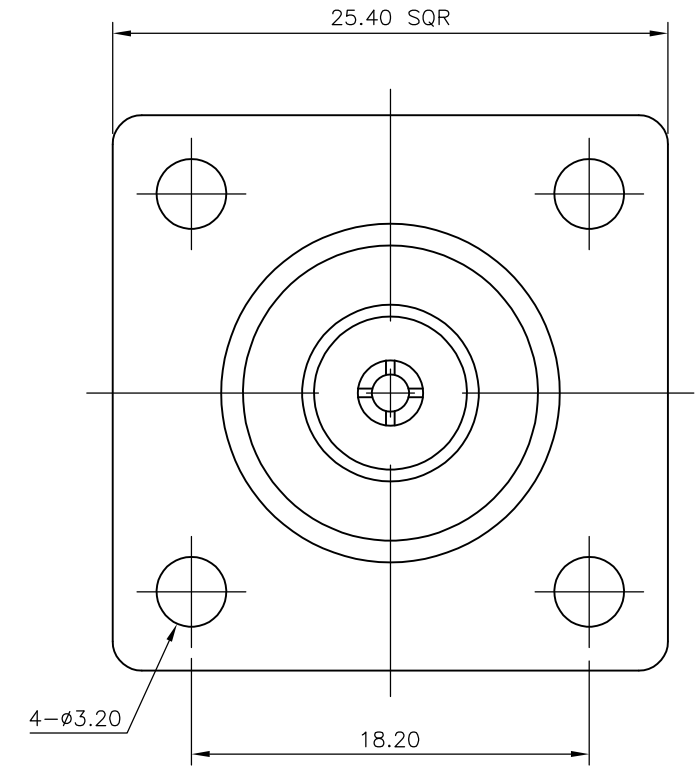
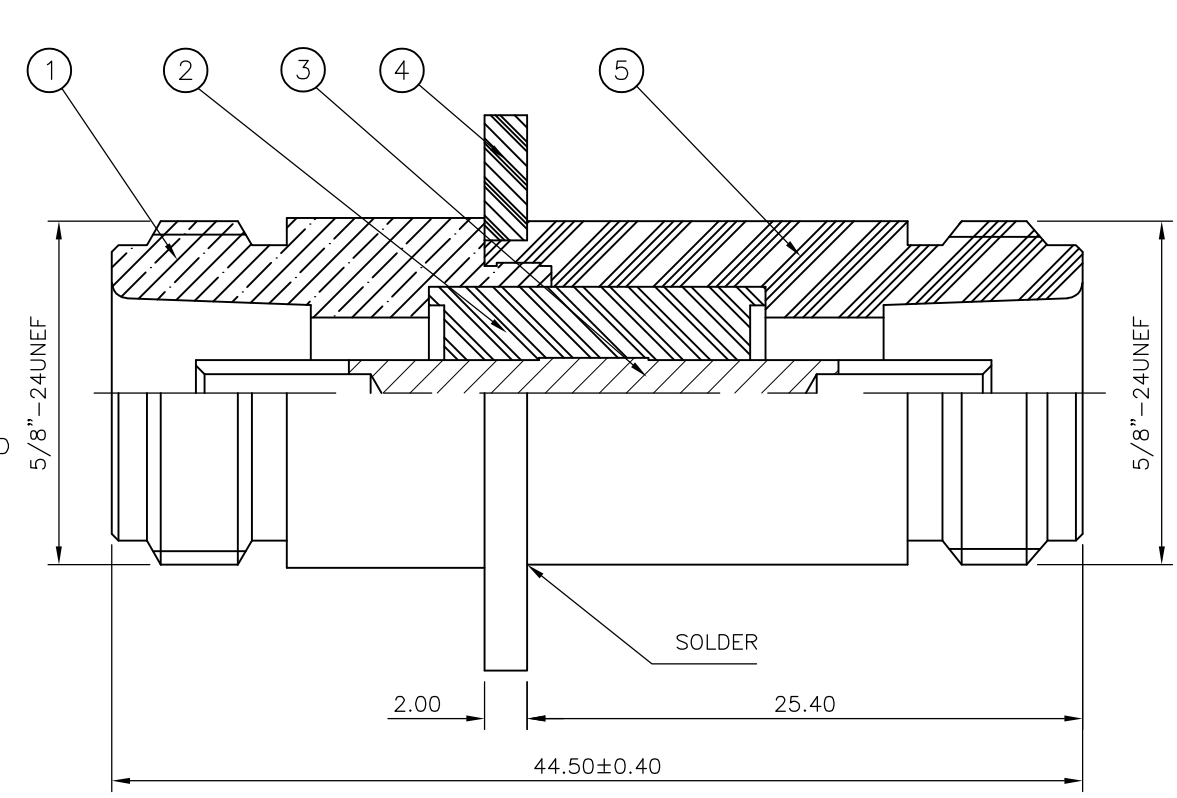


THIS DRAWING IS UNPUBLISHED. RELEASED FOR PUBLICATION DEC .2004.
 © COPYRIGHT 2004 BY TYCO ELECTRONICS CORPORATION. ALL RIGHTS RESERVED.

LOC	DIST	REVISIONS					
E	B	P	LTR	DESCRIPTION	DATE	DWN	APVD
			B1	ECO-10-021614	200CT10	Titong Seng	

- NOTES**
- ① SINGLE PACK IN ACCORDANCE WITH AMP SPEC 107-3275
 - ② 50 TRAY PACK IN ACCORDANCE WITH AMP SPEC 107-3275
 - ③ Au PLATING OVER Cu PLATING
 - ④ Ag PLATING OVER Cu PLATING
 - ⑤ Ni PLATING OVER Cu PLATING
6. CHARACTERISTICS
 FREQUENCY RANGE: DC-11.0GHz
 IMPEDANCE: 50 OHMS
 WORKING VOLTAGE: 1000V MAX AT SEA LEVEL
 DIELECTRIC WITHSTAND VOLTAGE: 2500V RMS MAX
 TEMPERATURE RATE: -55°C TO +165°C
7. MECHANICAL CHARACTERISTICS
 DURABILITY: 500 CYCLES MIN
8. FOR TECHNICAL DATA REFER TO YOUR LOCAL TYCO ELECTRONICS SALES OFFICE
9. ALL DIMENSIONS ARE NOMINAL FOR REFERENCE ONLY UNLESS OTHERWISE STATED



QTY	QTY PER ASSY	MATERIAL	DESCRIPTION	ITEM
1	1	BRASS	⑤ BODY	5
1	1	BRASS	④ BODY	5
1	1	BRASS	③ FLANGE	4
1	1	BRASS	④ FLANGE	4
1	1	BRASS	④ CONTACT	3
1	1	BRASS	③ CONTACT	3
1	1	PTFE	INSULATOR	2
1	1	BRASS	⑤ BODY	1
1	1	BRASS	④ BODY	1
6--1	1--1	6--0	1--0	

THIS DRAWING IS A CONTROLLED DOCUMENT.		DWN J.SANDWELL 01DEC04	Tyco Electronics Corporation Bideford, UK, EX39 4HE		
DIMENSIONS: mm		CHK S.PARLOW 01DEC04	NAME N TYPE ADAPTER PANEL MOUNT JACK		
TOLERANCES UNLESS OTHERWISE SPECIFIED: 0 PLC ± - 1 PLC ± - 2 PLC ± - 3 PLC ± - 4 PLC ± - ANGLES ± -		APVD F.WHEELER-KING 01DEC04	PRODUCT SPEC -		
MATERIAL SEE TABLE		FINISH SEE TABLE	APPLICATION SPEC -	SIZE A3	CAGE CODE 00779
CUSTOMER DRAWING			DRAWING NO C-1814407	RESTRICTED TO -	
			WEIGHT -	SCALE NTS	SHEET 1 OF 1
					REV B1