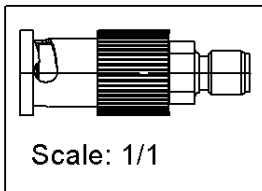
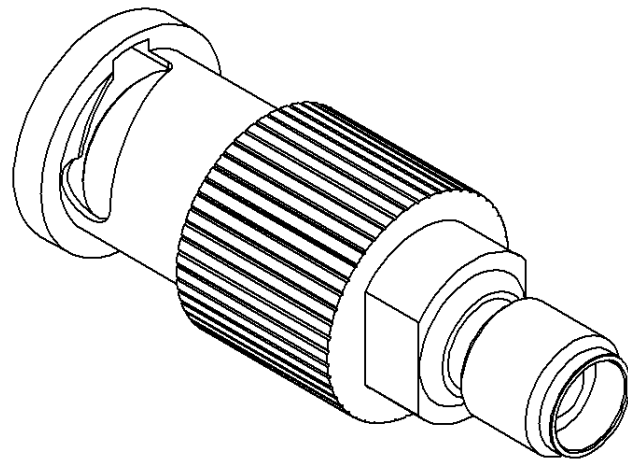
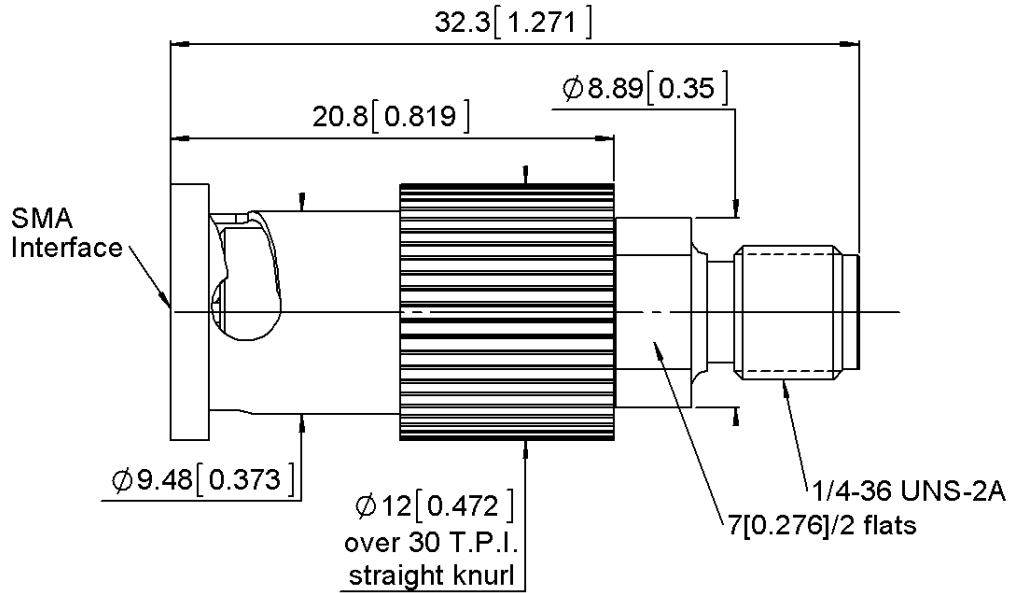
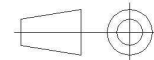


PAGE 1/2	ISSUE 1341 D	SERIES ADAPT	PART NUMBER 5913-2503-000
----------	--------------	--------------	---------------------------



All dimensions are in mm.



COMPONENTS	MATERIALS	PLATING (µm)
Bodies	<b>STAINLESS STEEL</b>	<b>PASSIVATION</b>
Center contact	<b>BERYLLIUM COPPER</b>	<b>NPGR</b>
Outer contact	<b>BRASS.</b>	<b>GOLD 0.2 OVER NICKEL 2</b>
Insulator	<b>PTFE</b>	
Gasket		
Others parts		
-	-	-
-	-	-

PAGE 2/2	ISSUE 1341 D	SERIES ADAPT	PART NUMBER 5913-2503-000
----------	--------------	--------------	---------------------------

### PACKAGING

Standard	Unit	Other
100	Contact us	Contact us

### ELECTRICAL CHARACTERISTICS

Impedance		<b>50</b>	Ω
Frequency		<b>0-26</b>	GHz
VSWR	<b>1.1</b> +	<b>0.0000</b>	x F(GHz) Maxi
Insertion loss		<b>0.06</b>	√F(GHz) dB Maxi
RF leakage	- (	<b>N/A</b>	- F(GHz) dB Maxi
Voltage rating		<b>500</b>	Veff Maxi
Dielectric withstanding voltage		<b>1000</b>	Veff mini
Insulation resistance		<b>5000</b>	MΩ mini

### ENVIRONMENTAL

Operating	<b>-65/+165</b>	°C
Hermetic seal		Atm.cm3/s
Panel leakage		

### MECHANICAL CHARACTERISTICS

Center contact retention			
Axial force – Mating End		<b>2.8</b>	N mini
Axial force – Opposite end			N mini
Torque			N.cm mini
Recommended torque			
Mating	<b>SMA</b>	<b>0</b>	N.cm
	<b>SMA</b>	<b>0</b>	N.cm
		<b>0</b>	N.cm
Panel nut			N.cm
Mating life		<b>5000</b>	Cycles mini
Weight		<b>12.3520</b>	g

### SPECIFICATION

### OTHER CHARACTERISTICS