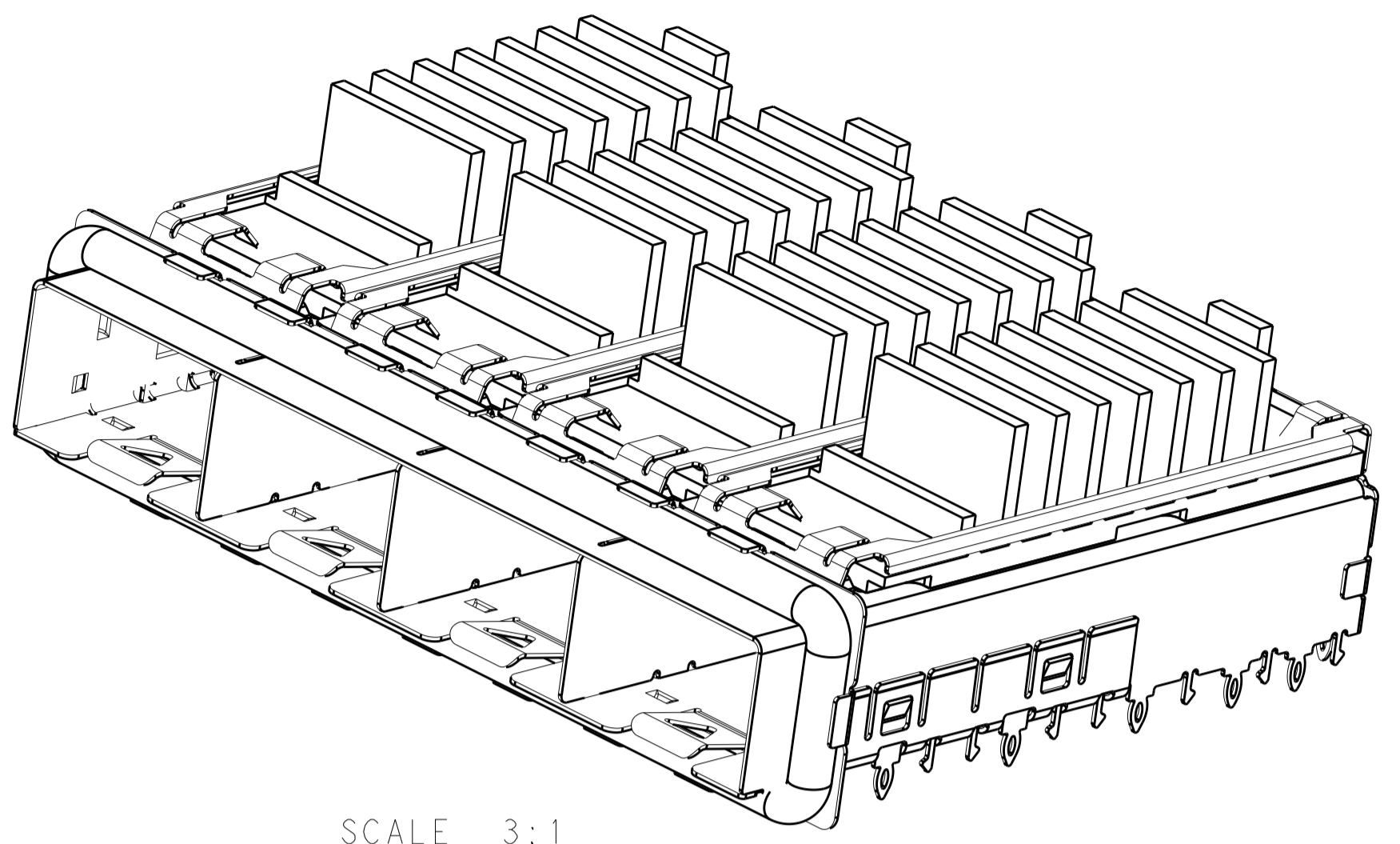


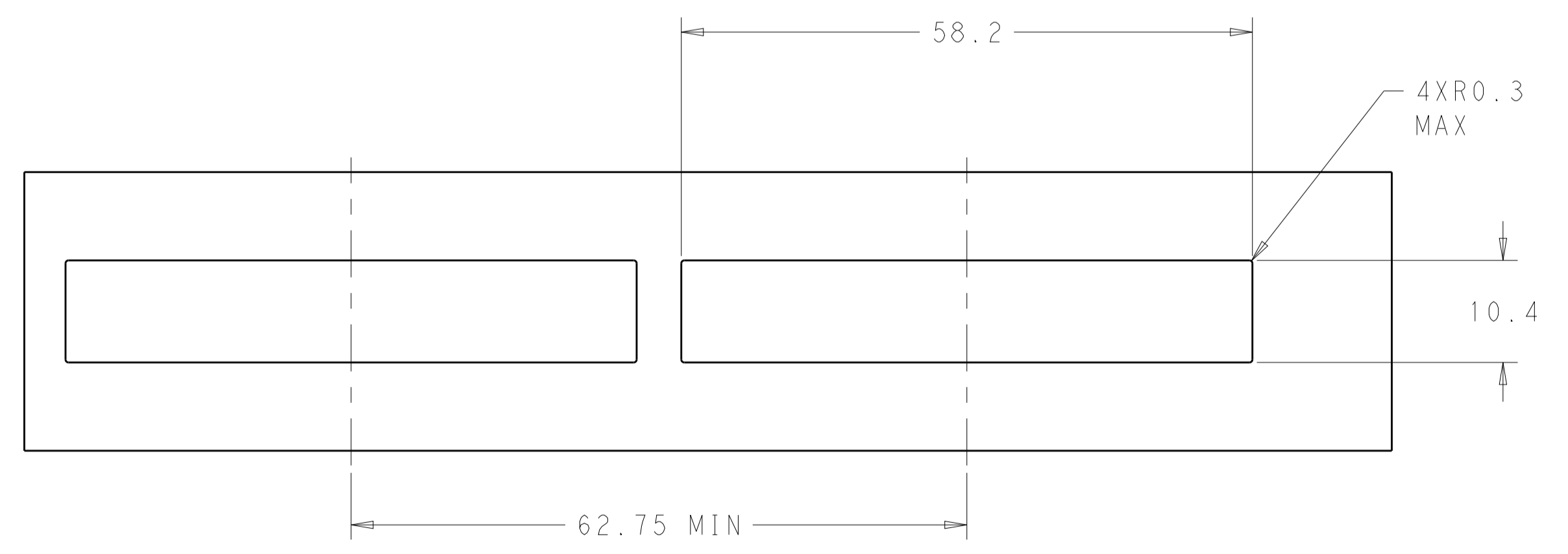
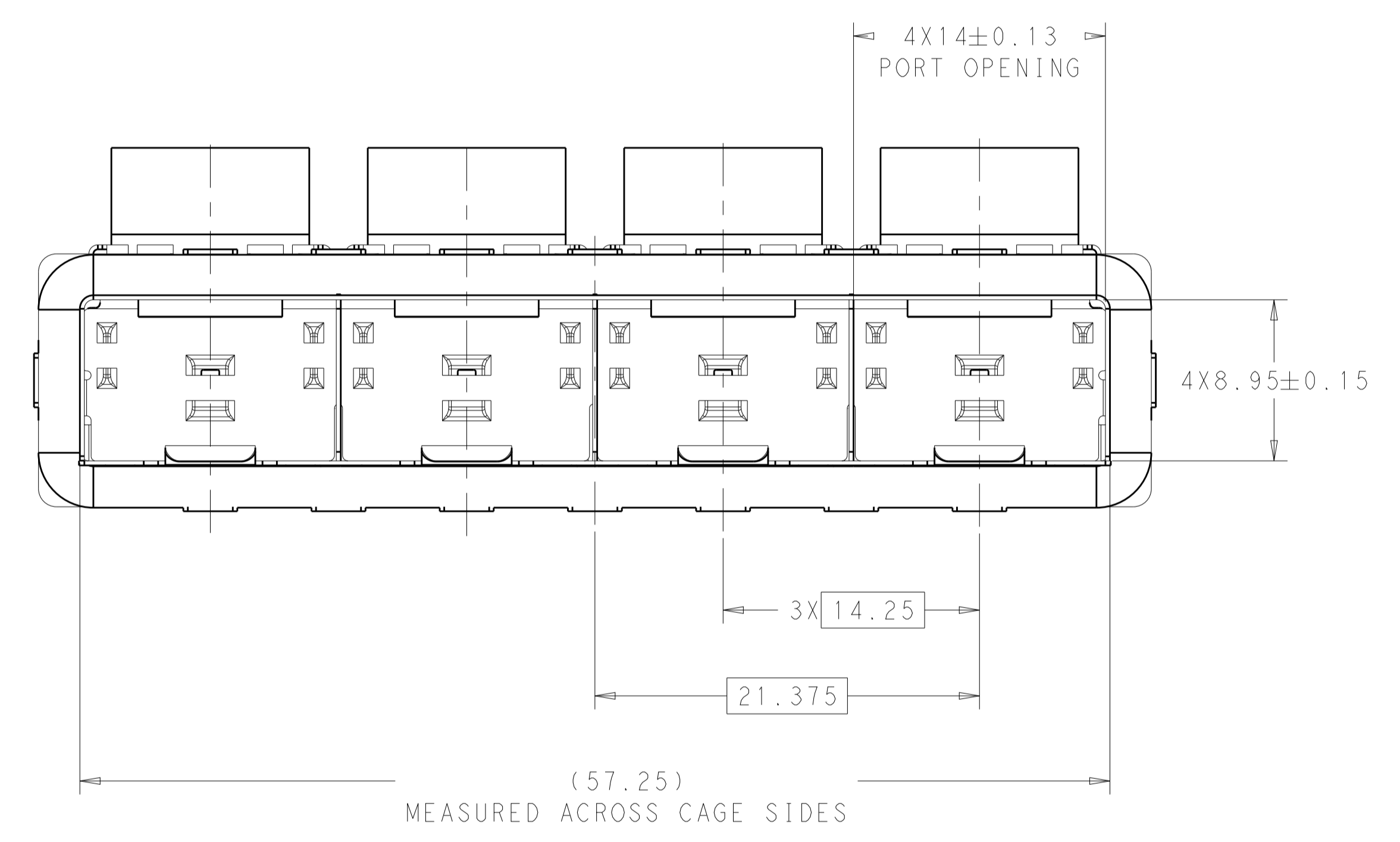
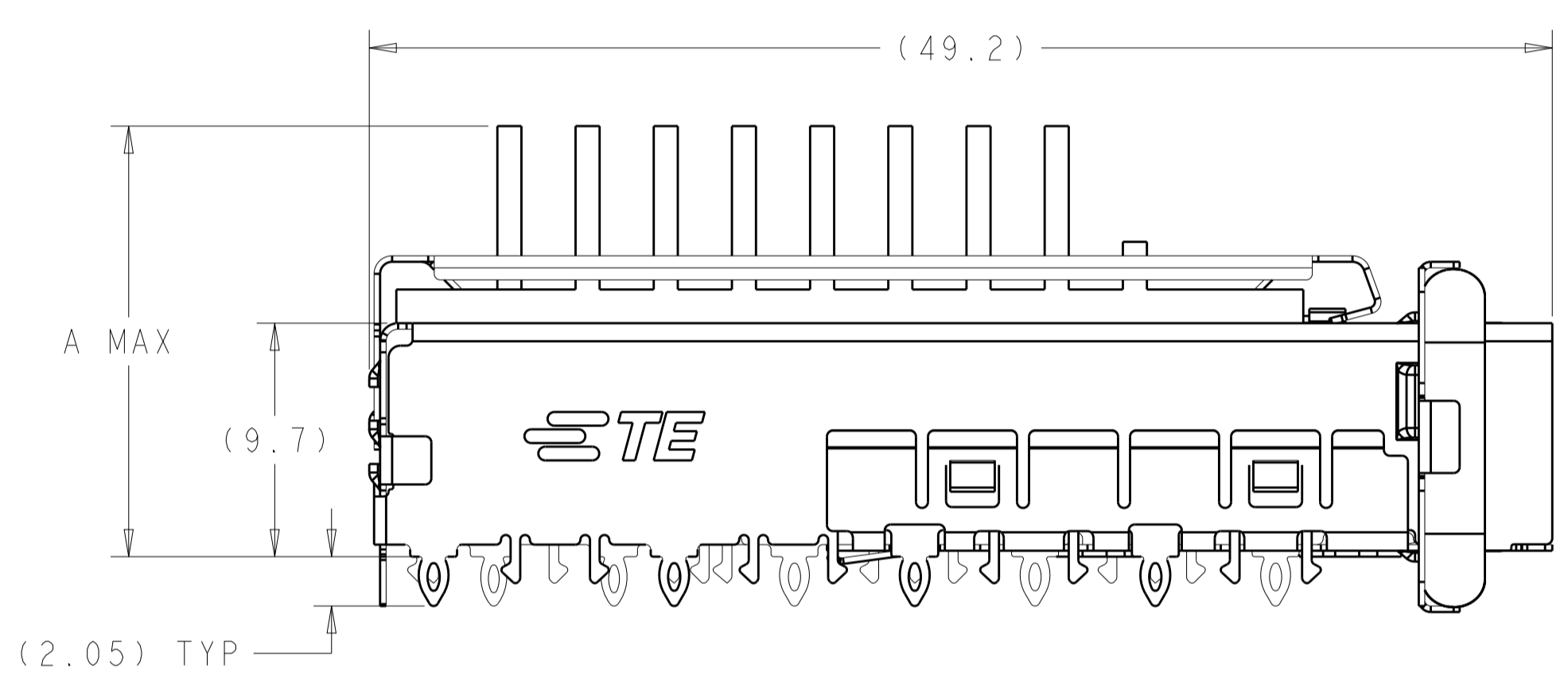
LOC		DIST		REVISIONS			
P	LTN	DESCRIPTION	DATE	DWN	APVD		
A		REV PER ECR-12-004175	12MAR2012	DZ	AC		
B		REVISED	1JUN2012	DZ	AC		
B2		REV PER ECR-12-009968	10JULY2012	DZ	AC		

- 1 MATERIAL:  
 CAGE ASSEMBLY: 0.25mm THICK NICKEL SILVER ALLOY  
 GASKET RETENTION PLATE: STAINLESS STEEL  
 EMI GASKET: PLATED FILLED SILICONE  
 HEATSINK CLIP: STAINLESS STEEL  
 HEATSINK: ALUMINUM
- 2 FINISH:  
 HEATSINK: HARD ANODIC COAT  
 HEATSINK CLIP: PASSIVATE
- 3 PADS AND VIAS CHASSIS GROUND.
- 4 DATUM AND BASIC DIMENSION ESTABLISHED BY CUSTOMER.
- 5. MATES WITH SFP MSA COMPLIANT TRANSCEIVERS.
- 6. INTERPRETATION OF DATUM REFERENCE FRAME IN ACCORDANCE WITH SECT 4.4.1.1 OF ASME Y14.5M-1994.
- 7 REFERENCE APPLICATION SPEC. 114-13120, HOLE A, FOR RECOMMENDED DRILL HOLE DIAMETER AND PLATING THICKNESS.
- 8 REFERENCE APPLICATION SPEC. 114-13120, HOLE B, FOR RECOMMENDED DRILL HOLE DIAMETER AND PLATING THICKNESS.
- 9 HOLE PATTERN REPEATS FOR EACH PORT. SPACING BETWEEN PORTS IS 14.25mm.

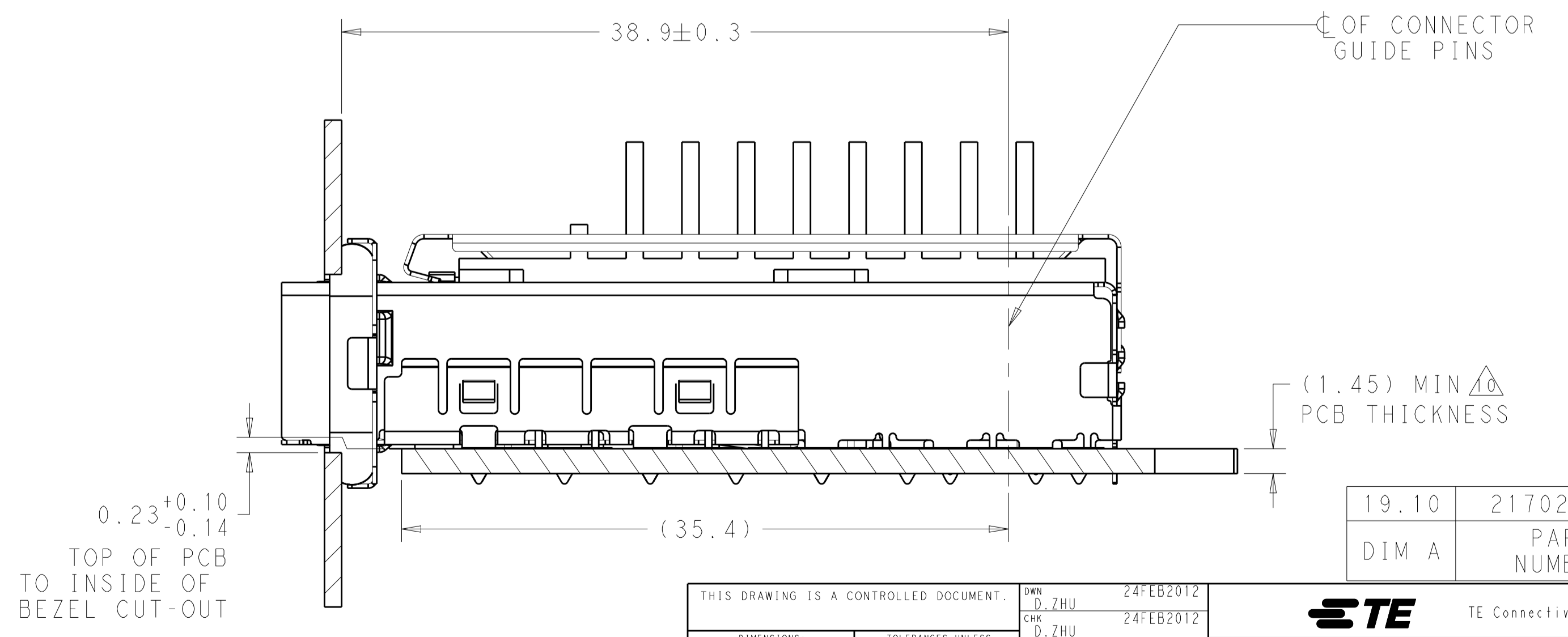
- 10 MINIMUM PC BOARD THICKNESS:  
 SINGLE SIDED: 1.45mm
- 11. CERTAIN MATING TRANCEIVERS MAY REQUIRE ADDITIONAL PCB THICKNESS THAT WOULD NEED TO BE DETERMINED BY THE CUSTOMER.
- 12. PRODUCT COMPLIES WITH SPECIFICATION SFF-8433 IMPROVED PLUGGABLE FORM FACTOR FOR SFP+ GANGED CAGES.
- 13 DIMENSION APPLIES WITH SFP MODULE INSERTED.



SCALE 3:1



RECOMMENDED BEZEL CUT-OUT  
 SCALE 2:1

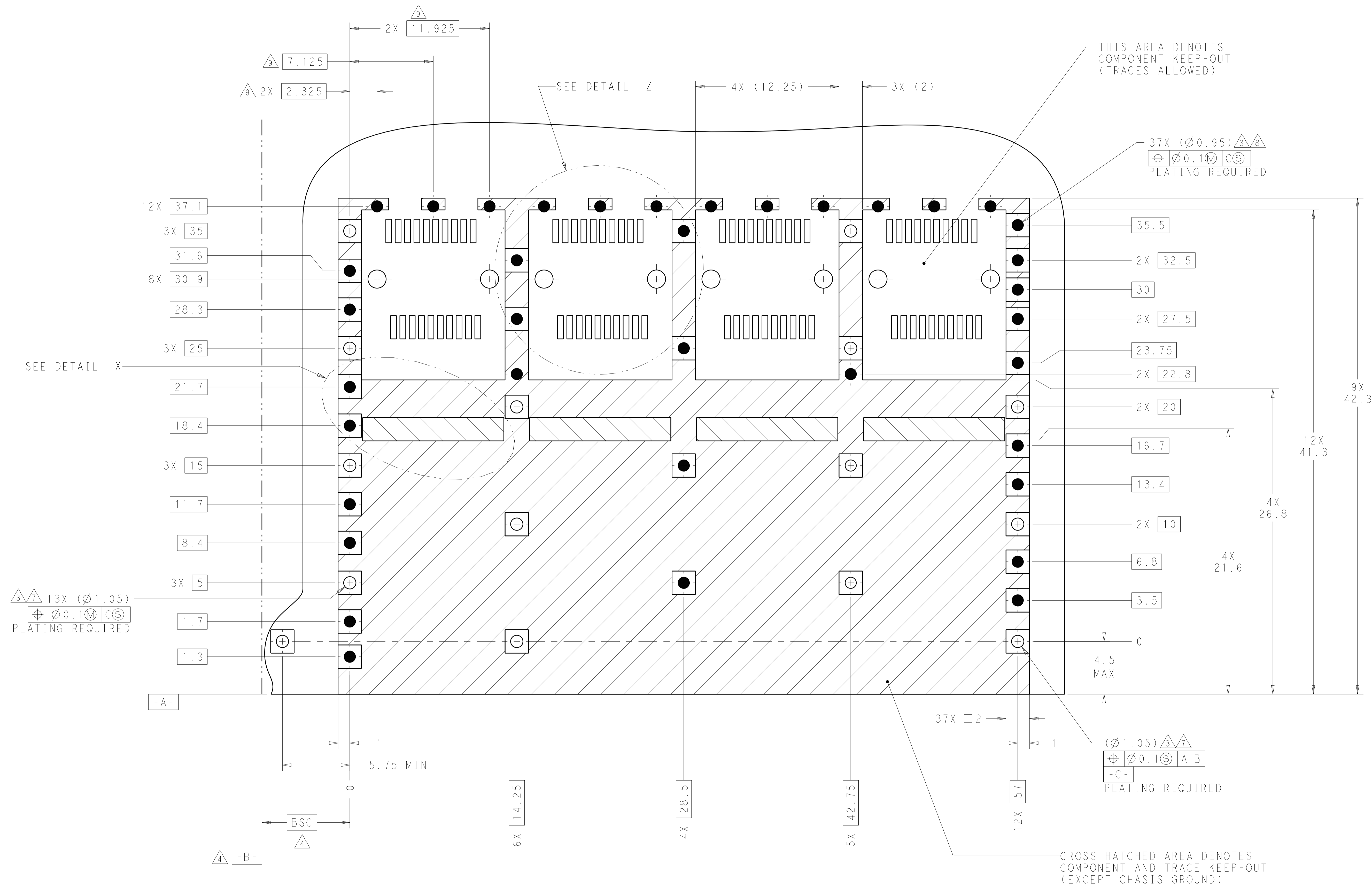


2170274-1  
 MOUNTED ON PC BOARD SHOWN  
 THRU RECOMMENDED BEZEL  
 SCALE 4:1

19.10	2170274-1
DIM A	PART NUMBER

THIS DRAWING IS A CONTROLLED DOCUMENT.		DWN: D.ZHU 24FEB2012	TE Connectivity
DIMENSIONS: mm		CHK: D.ZHU 24FEB2012	
TOLERANCES UNLESS OTHERWISE SPECIFIED:		APVD: A.CAI 24FEB2012	NAME: SFP+ ENHANCED, 1X4 CAGE ASSEMBLY PRESS FIT, EMI GASKET WITH HEATSINK
0 PLC ±.1		PRODUCT SPEC: 108-2364	
1 PLC ±.1		APPLICATION SPEC: 114-13120	SIZE: A1 CAGE CODE: 00779 DRAWING NO: 2170274
2 PLC ±.1		WEIGHT: -	
3 PLC ±.1		Customer Drawing	RESTRICTED TO: -
4 PLC ±.1		SCALE: 1:1	SHEET: 1 OF 3
ANGLES ±.1		REV: B2	
FINISH: -			

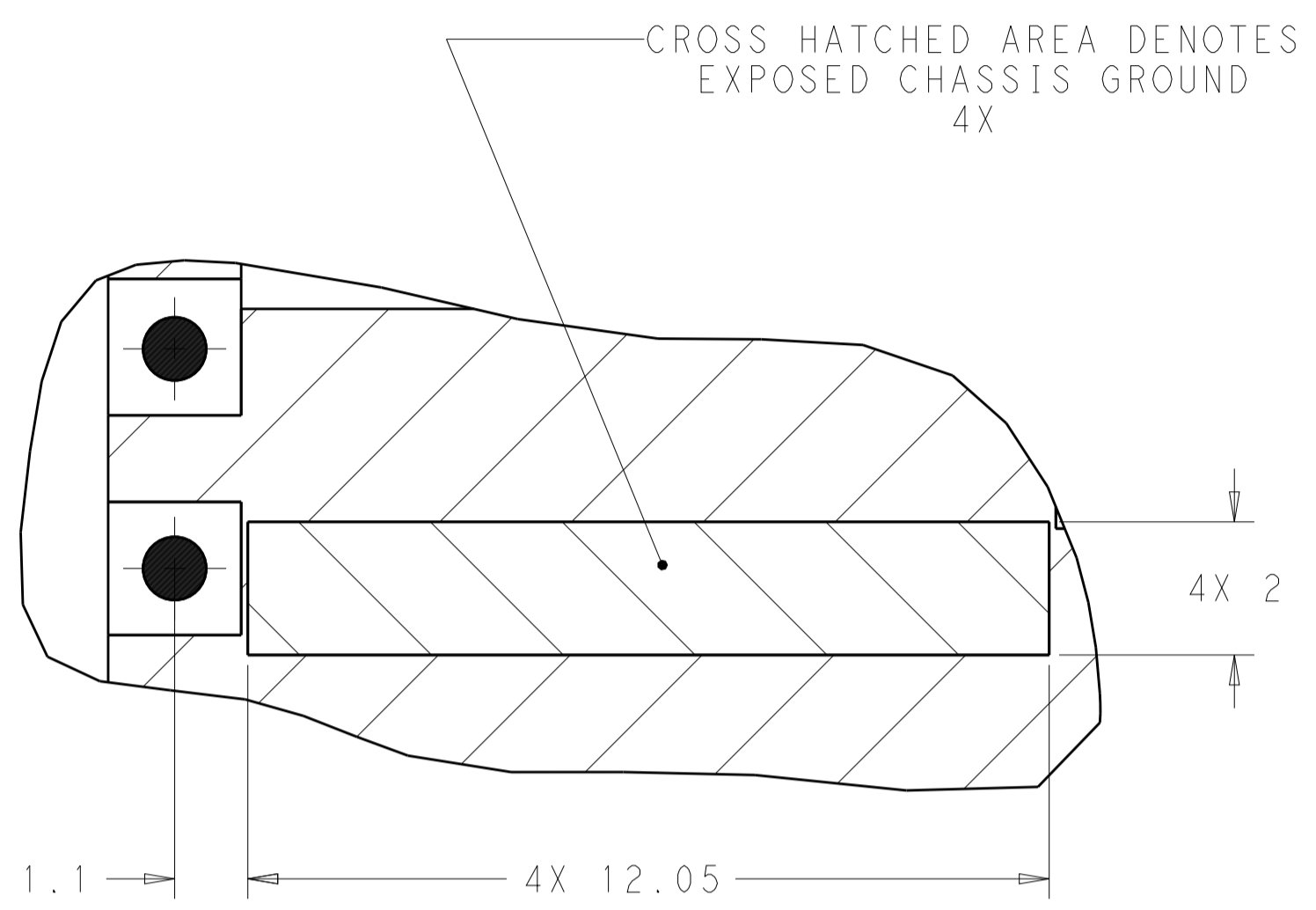
LOC	DIST	REVISIONS			
GP	00	REV	DATE	BY	APPV
		1	SEE SHEET 1		



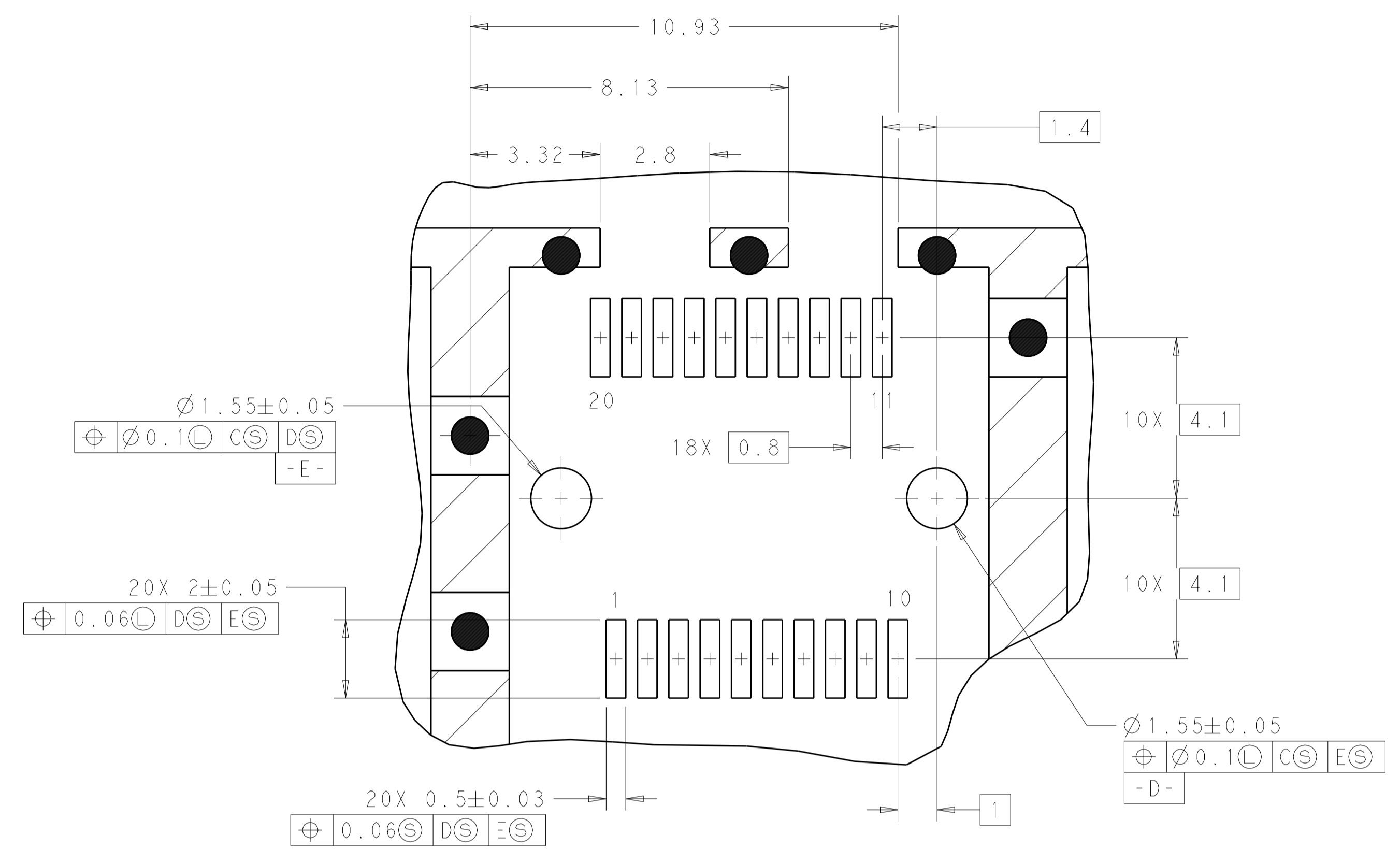
RECOMMENDED PCB CONFIGURATION  
 WITH KEEP-OUT AREAS  
 SCALE 6:1

THIS DRAWING IS A CONTROLLED DOCUMENT.		DWN D. ZHU 24FEB2012	TE Connectivity
DIMENSIONS: mm		CHK D. ZHU 24FEB2012	
TOLERANCES UNLESS OTHERWISE SPECIFIED:		APVD A. CAL 24FEB2012	NAME SFP+ ENHANCED, 1X4 CAGE ASSEMBLY PRESS FIT, EMI GASKET WITH HEATSINK
0 PLC ±.1 1 PLC ±.1 2 PLC ±.1 3 PLC ±.1 4 PLC ±.1 ANGLES ±.1		PRODUCT SPEC 108-2364	SIZE A100779
MATERIAL:		APPLICATION SPEC 114-13120	DRAWING NO C=2170274
FINISH:		WEIGHT	RESTRICTED TO
		Customer Drawing	SCALE 1:1 SHEET 2 OF 3 REV B2

LOC		DIST		REVISIONS				
P	LYR	DATE	DMN	APVD	DESCRIPTION	DATE	DMN	APVD
-	-	-	-	-	SEE SHEET 1	-	-	-



DETAIL X  
SCALE 10:1



DETAIL Z  
RECOMMENDED PT CONNECTOR LAYOUT  
4X INDIVIDUALLY PLACED  
SCALE 10:1

THIS DRAWING IS A CONTROLLED DOCUMENT.		DMN: D.ZHU	24FEB2012	TE Connectivity NAME: SFP+ ENHANCED, 1X4 CAGE ASSEMBLY PRESS FIT, EMI GASKET WITH HEATSINK
DIMENSIONS: mm		CHK: D.ZHU	24FEB2012	
TOLERANCES UNLESS OTHERWISE SPECIFIED: 0 PLC ±.1 1 PLC ±.1 2 PLC ±.1 3 PLC ±.1 4 PLC ±.1		APVD: A.CAI	24FEB2012	
DIMENSIONS: mm TOLERANCES UNLESS OTHERWISE SPECIFIED: 0 PLC ±.1 1 PLC ±.1 2 PLC ±.1 3 PLC ±.1 4 PLC ±.1		PRODUCT SPEC: 108-2364	APPLICATION SPEC: 114-13120	
MATERIAL:	FINISH:	WEIGHT: -	SIZE: A1	CAGE CODE: 00779
Customer Drawing		SCALE: 1:1	SHEET: 3 OF 3	REV: B2