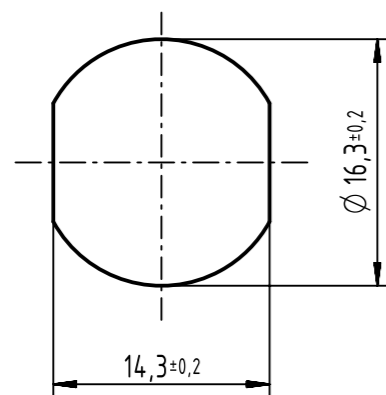
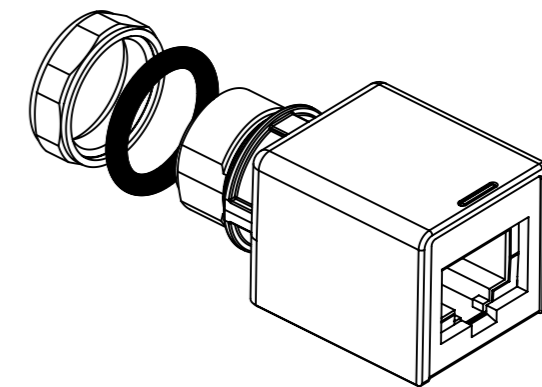
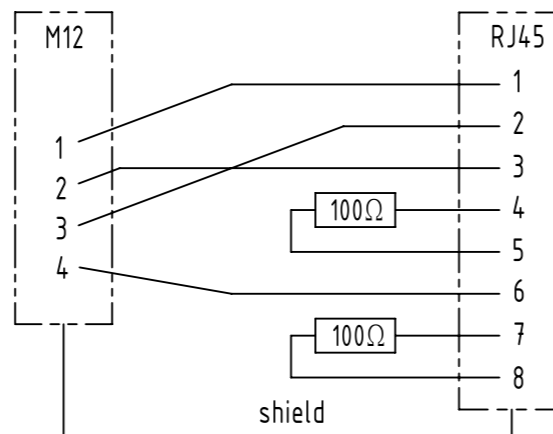


A
panel cut out



circuit diagram



	All rights reserved Department EC PD - DE HARTING Electronics GmbH D-32339 Espelkamp	All Dimensions in mm Original Size DIN A3	Scale 2:1	Free size tol.	Ref. Sub. 21033812401 500000092825 2014.18.03
		Created by STORCK	Inspected by WELLMANN	Standardisation KOHLER	Date 2015-08-05
Title adapter M12-RJ45 straight					Doc-Key / ECM-Nr. 100513256/UGD/007/C 500000092825
Type TB		Number 21033812401			Rev. C
					Page 1/1

Mouser Electronics

Authorized Distributor

Click to View Pricing, Inventory, Delivery & Lifecycle Information:

[HARTING:](#)

[21033812401](#)