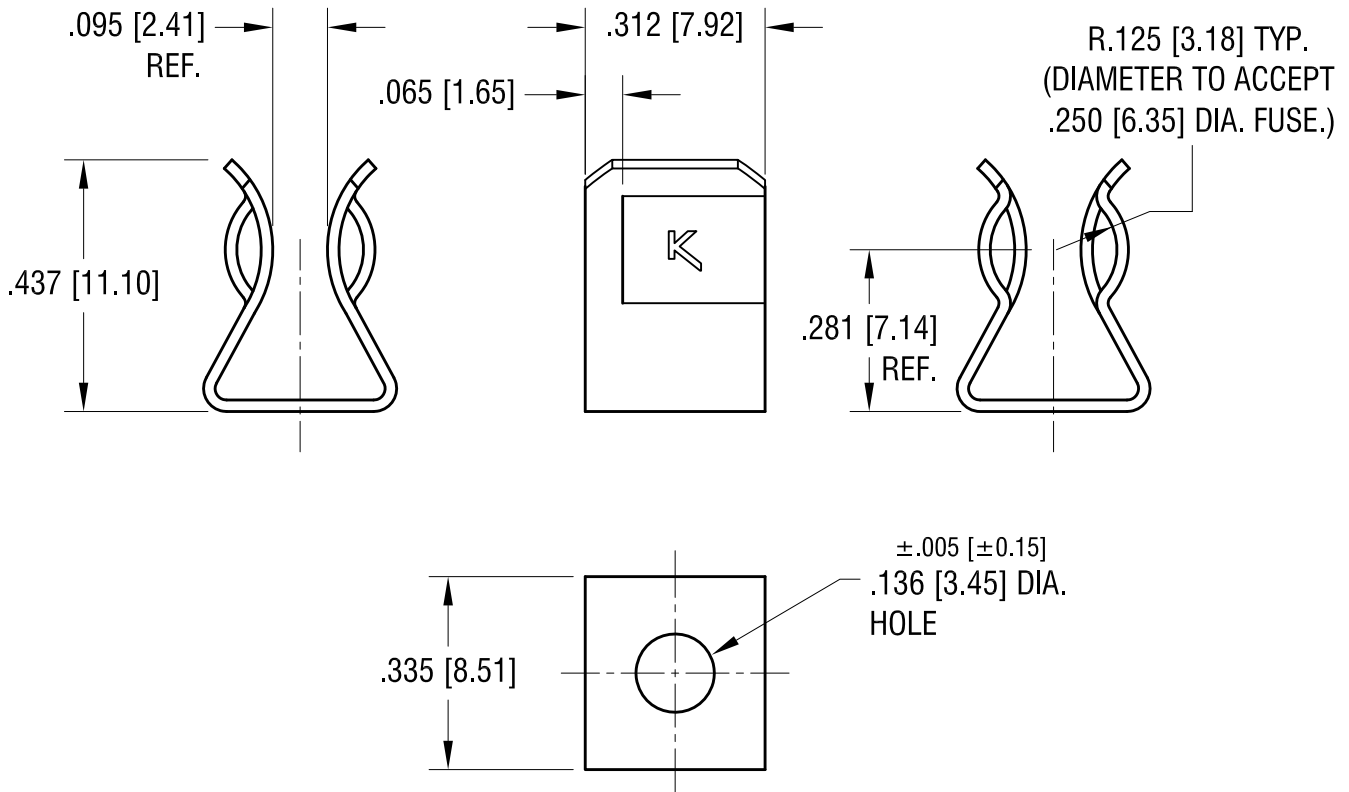


THIS DOCUMENT IS THE PROPERTY OF  
KEYSTONE ELECTRONICS CORP. AND  
SHALL NOT BE REPRODUCED, DISTRIBUTED  
OR USED AS A BASIS FOR MANUFACTURE  
WITHOUT PRIOR WRITTEN PERMISSION  
FROM KEYSTONE ELECTRONICS CORP.

**ACTUAL SIZE**



9.12.12	CHANGE AS PER ECN 12-138	D
10.5.00	CHANGE AS PER ECN 00-105	C
11.16.98	CHANGE AS PER ECR 98-081	B
4.26.93	REVISED	A
DATE	DESCRIPTION	REV.

<b>KEYSTONE ELECTRONICS CORP.</b>			
www.keyelco.com • ASTORIA, N.Y. 11105-2017 • Tel (718) 956-8900			
PART NAME		3AG FUSE CLIP	
MATERIAL		.020 [0.50] TH'K BRASS	
FINISH		DRN BY	DATE
NICKEL PLATE		BOONE	8.23.91
		APP'D	SCALE
		LN	3X
TOLERANCES	INCH [MM]	CODE	DWG NO.
DECIMAL	$\pm .010 [\pm 0.25]$	C	<b>3532</b>
ANGULAR	$\pm 1^\circ$		
UNLESS OTHERWISE SPECIFIED			