

General Specifications

Motor Protection:

Auto Restart/Polarity Protection

Insulation Resistance:

10M Ω or over with a DC500V Megger

Dielectric Withstand Voltage: AC 700V 1s

Allowable Ambient Temperature Range:

-10°C ~ +70°C (Operating)

-40°C ~ +70°C (Storage)

(non-condensing environment)

Expected Life

25°C 100,000 Hours (B00/E00)

Material

Casing : Plastic (Black) UL94V-0

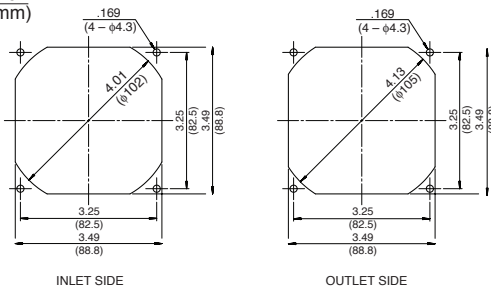
Impeller : Plastic (Black) UL94V-0

Bearing : Ball Bearing

Lead Wire : UL3385, AWG26, +Red, -Black

Panel Cut-Outs

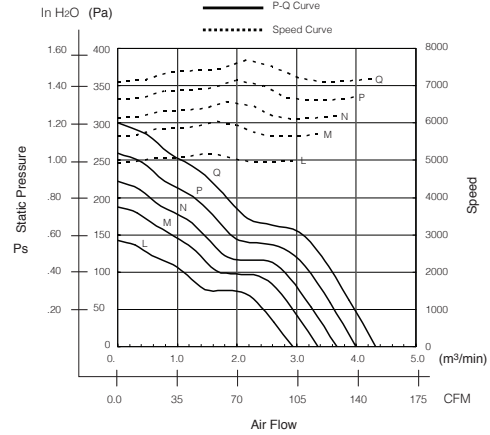
Units: $\frac{\text{inch}}{\text{mm}}$



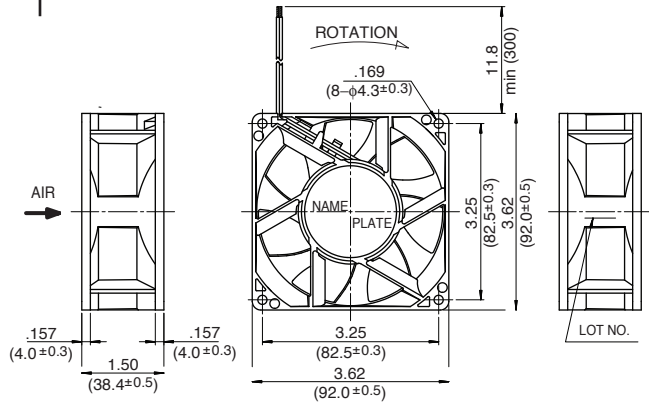
INLET SIDE

OUTLET SIDE

Characteristic Curves



Outline



Specifications

MODEL	LEGACY P/N	Rated Voltage	Operating Voltage	Current	Input Power	Speed	Max. Air Flow		Max. Static Pressure		Noise	Mass
		(V)	(V)	(A) ^{*1}	(W) ^{*1}	(min ⁻¹) ^{*1}	CFM ^{*1}	(m ³ /min) ^{*1}	in H ₂ O	(Pa) ^{*1}	(dB) ^{*1}	(g)
09238RA-12L-EA-00	3615RL-04W-B30-E00	12	7.0 ~ 13.8	0.80	9.60	5000	103.8	2.94	0.57	142	52.5	230
** 09238RA-12M-EA-00	3615RL-04W-B40-E00	12	7.0 ~ 13.8	1.15	13.80	5700	118.6	3.36	0.75	187	56.5	230
** 09238RA-12N-EA-00	3615RL-04W-B50-E00	12	7.0 ~ 13.8	1.46	17.52	6200	129.9	3.68	0.89	222	59.0	230
** 09238RA-12P-EA-00	3615RL-04W-B60-E00	12	7.0 ~ 13.8	2.00	24.00	6700	141.2	4.00	1.04	260	61.0	230
** 09238RA-12Q-EA-00	3615RL-04W-B70-E00	12	7.0 ~ 13.2	2.41	28.92	7200	152.5	4.32	1.20	300	62.5	230
09238RA-24L-EA-00	3615RL-05W-B30-E00	24	14.0 ~ 27.6	0.40	9.60	5000	103.8	2.94	0.57	142	52.5	230
09238RA-24M-EA-00	3615RL-05W-B40-E00	24	14.0 ~ 27.6	0.56	13.44	5700	118.6	3.36	0.75	187	56.5	230
09238RA-24N-EA-00	3615RL-05W-B50-E00	24	14.0 ~ 27.6	0.71	17.04	6200	129.9	3.68	0.89	222	59.0	230
** 09238RA-24P-EA-00	3615RL-05W-B60-E00	24	14.0 ~ 27.6	0.92	22.08	6700	141.2	4.00	1.04	260	61.0	230
** 09238RA-24Q-EA-00	3615RL-05W-B70-E00	24	14.0 ~ 26.4	1.13	27.12	7200	152.5	4.32	1.20	300	62.5	230
** 09238RA-48L-EA-00	3615RL-07W-B30-E00	48	36.0 ~ 55.2	0.21	10.08	5000	103.8	2.94	0.57	142	52.5	230
** 09238RA-48M-EA-00	3615RL-07W-B40-E00	48	36.0 ~ 55.2	0.28	13.44	5700	118.6	3.36	0.75	187	56.5	230
** 09238RA-48N-EA-00	3615RL-07W-B50-E00	48	36.0 ~ 55.2	0.36	17.28	6200	129.9	3.68	0.89	222	59.0	230
** 09238RA-48P-EA-00	3615RL-07W-B60-E00	48	36.0 ~ 55.2	0.47	22.56	6700	141.2	4.00	1.04	260	61.0	230
** 09238RA-48Q-EA-00	3615RL-07W-B70-E00	48	36.0 ~ 52.8	0.57	27.36	7200	152.5	4.32	1.20	300	62.5	230

Rotation: Clockwise

Airflow Outlet: Air Out Over Struts

*1: Average Values in Free Air

** Contact NMB for availability

Note: 12V & 48V in all speeds available, but not standard. For locked rotor and Tach Signal contact NMB