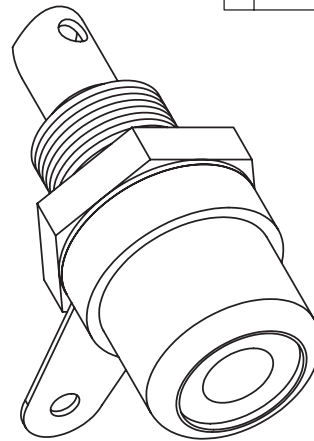
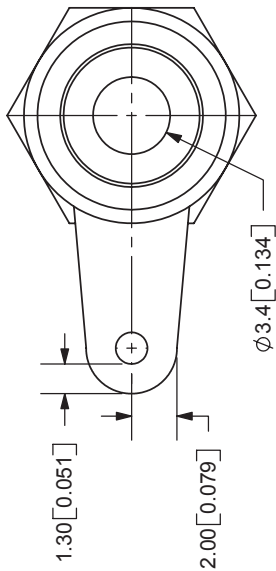
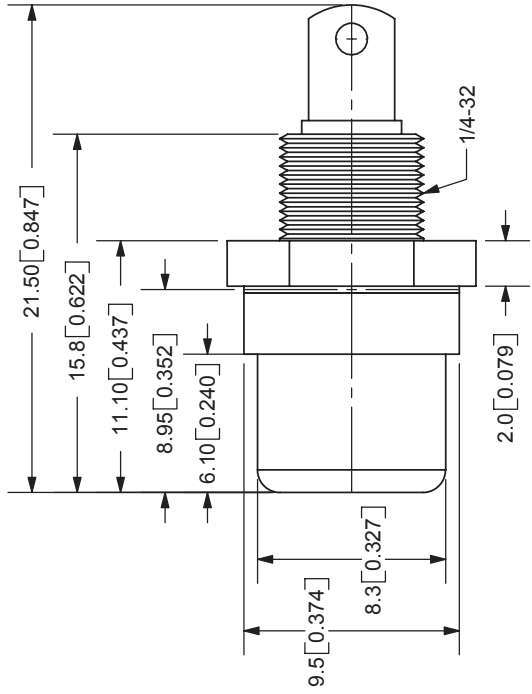


REV.	DESCRIPTION	DATE
A	NEW DRAWING	4/11/2006



COLOR INDEX	
PART NO.	COLOR
RCJ-031	Black
RCJ-032	Red
RCJ-033	White
RCJ-034	Yellow
RCJ-035	Blue
RCJ-036	Green
RCJ-037	Orange

MODEL NO.	RCJ-03X
SCHEMATIC	

TOLERANCE:
±0.3mm UNLESS OTHERWISE
SPECIFIED



9615 SW Allen Blvd., Ste. 103
Beaverton, OR 97005
Phone: 503-643-4899
800-275-4899
Fax: 503-372-1266
Website: www.cui.com

TITLE:	RCJ JACK, PANEL MOUNT W/NUT	REV:	A
PART NO:	RCJ-03X	UNITS:	MM [INCHES]
DRAWN BY:	ZRJ	APPROVED BY:	
		SCALE:	3:1

MATERIAL	PLATING
Brass	Nickel
Brass	Nickel
Brass	Nickel
Brass	Nickel
PBT	See Color Index
PBT	See Color Index

EARTH TERMINAL (1)	
TERMINAL (2)	
BODY SHELL	
NUT	
INSULATOR	
BUSHING	

SPECIFICATIONS:
CONTACT RESISTANCE: 30m OHMS MAX
INSULATION RESISTANCE: 100M OHMS MIN: 500V DC
VOLTAGE WITHSTAND: 500V AC R.M.S. FOR 1 MINUTE
LIFE: 5,000 CYCLES
OPERATING TEMP: -20° ~ +85°C

PC FILE NAME:
RCJ-03X

COPYRIGHT 2006 BY CUI INC.