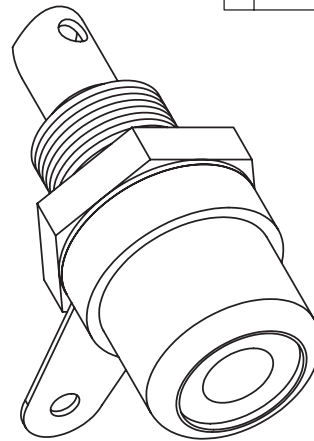
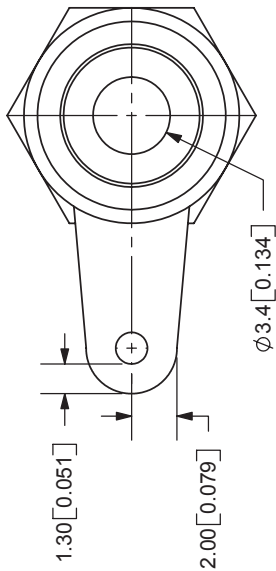
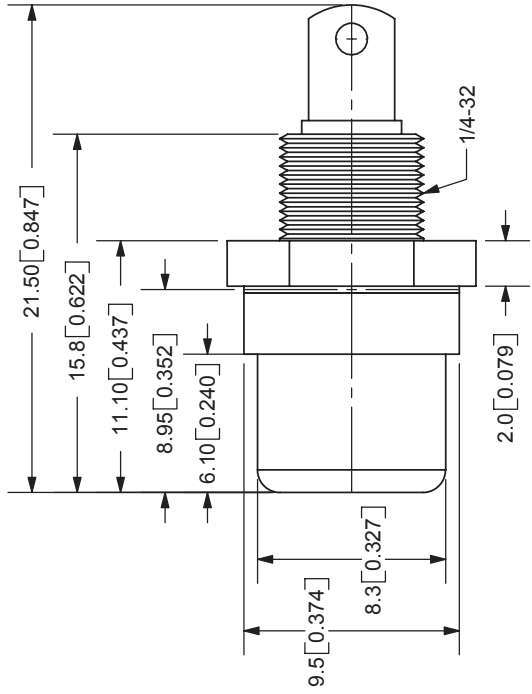


REV.	DESCRIPTION	DATE
A	NEW DRAWING	4/11/2006



COLOR INDEX	
PART NO.	COLOR
RCJ-031	Black
RCJ-032	Red
RCJ-033	White
RCJ-034	Yellow
RCJ-035	Blue
RCJ-036	Green
RCJ-037	Orange

MODEL NO.	RCJ-03X
SCHEMATIC	

MATERIAL	PLATING
Brass	Nickel
Brass	Nickel
Brass	Nickel
Brass	Nickel
PBT	See Color Index
PBT	See Color Index

**SPECIFICATIONS:**  
 CONTACT RESISTANCE: 30m OHMS MAX  
 INSULATION RESISTANCE: 100M OHMS MIN: 500V DC  
 VOLTAGE WITHSTAND: 500V AC R.M.S. FOR 1 MINUTE  
 LIFE: 5,000 CYCLES  
 OPERATING TEMP: -20° ~ +85°C

PC FILE NAME: RCJ-03X

COPYRIGHT 2006 BY CUI INC.

**ROHS**

TOLERANCE:  
±0.3mm UNLESS OTHERWISE  
SPECIFIED



9615 SW Allen Blvd., Ste. 103  
 Beaverton, OR 97005  
 Phone: 503-643-4899  
 800-275-4899  
 Fax: 503-372-1266  
 Website: www.cui.com

TITLE:	RCJ JACK, PANEL MOUNT W/NUT	REV:	A
PART NO:	RCJ-03X	UNITS:	MM [INCHES]
DRAWN BY:	ZRJ	APPROVED BY:	
		SCALE:	3:1