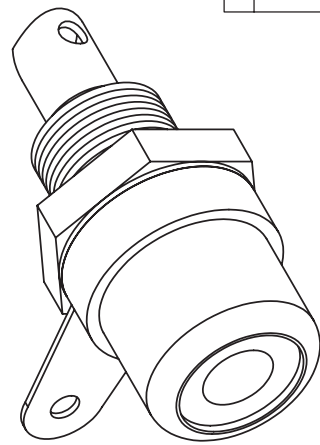
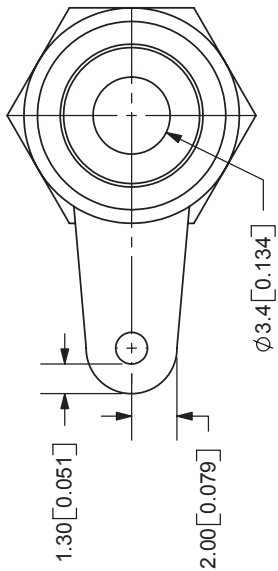
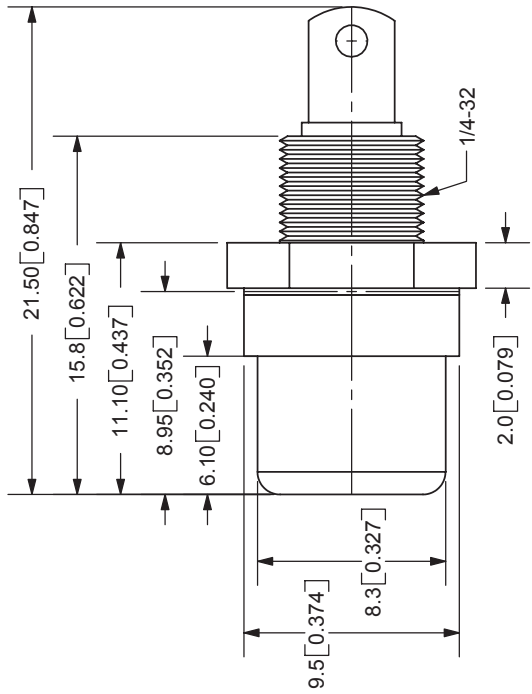
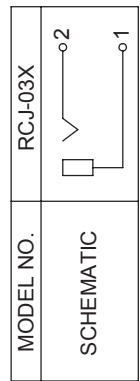


| | | |
|------|-------------|-----------|
| REV. | DESCRIPTION | DATE |
| A | NEW DRAWING | 4/11/2006 |



| COLOR INDEX | |
|-------------|--------|
| PART NO. | COLOR |
| RCJ-031 | Black |
| RCJ-032 | Red |
| RCJ-033 | White |
| RCJ-034 | Yellow |
| RCJ-035 | Blue |
| RCJ-036 | Green |
| RCJ-037 | Orange |



ROHS

TOLERANCE:
±0.3mm UNLESS OTHERWISE
SPECIFIED

CUI INC

9615 SW Allen Blvd., Ste. 103
Beaverton, OR 97005
Phone: 503-643-4899
800-275-4899
Fax: 503-372-1266
Website: www.cui.com

| MATERIAL | PLATING |
|----------|-----------------|
| Brass | Nickel |
| Brass | Nickel |
| Brass | Nickel |
| Brass | Nickel |
| PBT | See Color Index |
| PBT | See Color Index |

| | |
|--------------------|---------|
| EARTH TERMINAL (1) | RCJ-03X |
| TERMINAL (2) | o2 |
| BODY SHELL | o1 |
| NUT | |
| INSULATOR | |
| BUSHING | |

SPECIFICATIONS:
 CONTACT RESISTANCE: 30m OHMS MAX
 INSULATION RESISTANCE: 100M OHMS MIN: 500V DC
 VOLTAGE WITHSTAND: 500V AC R.M.S. FOR 1 MINUTE
 LIFE: 5,000 CYCLES
 OPERATING TEMP: -20° ~ +85°C

| | | |
|---------------|-----------------------------|----------------------------|
| PC FILE NAME: | RCJ-03X | COPYRIGHT 2006 BY CUI INC. |
| TITLE: | RCJ JACK, PANEL MOUNT W/NUT | REV: A |
| PART NO: | RCJ-03X | UNITS: MM [INCHES] |
| DRAWN BY: | ZRJ | APPROVED BY: |
| | | SCALE: 3:1 |