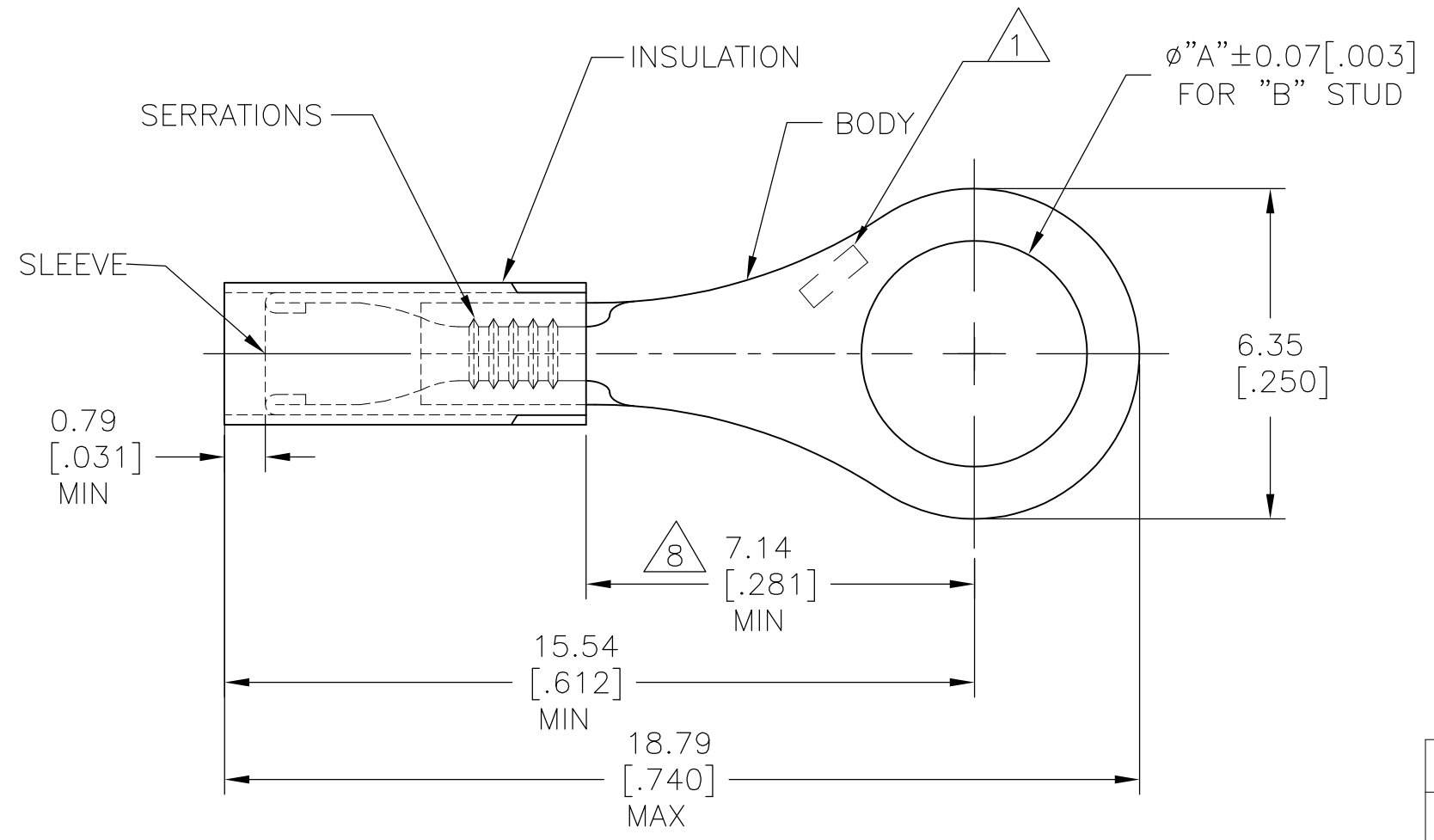


THIS DRAWING IS UNPUBLISHED. RELEASED FOR PUBLICATION
 © COPYRIGHT - By - ALL RIGHTS RESERVED.

REVISIONS				
P	LTR	DESCRIPTION	DATE	APVD
	P4	REVISED PER ECO-15-016493	26NOV2015	NK DR

- 1 STAMP AMP, APPROX AS SHOWN
- 2 TONGUE MATERIAL THK: 0.457±0.05[.018±.002]
- 3 BODY: MATERIAL - COPPER ASTM B152
FINISH - GOLD PLATE ASTM B488
TYPE 1, CODE C 0.0025 [.000100] MIN EXT THK OVER
NICKEL PLATE SAE AMS QQ-N-290 0.00076[.000030]
AVG EXT. THK.
- 4 SLEEVE: COPPER ASTM B152
NICKEL PL SAE AMS QQ-N-290
0.00076 [.00003] AVG EXT. THK
- 5 INSULATION: PTFE ASTM D3295
COLOR - BLACK
- 6 FOR 0.81[.032] TO 2.08[.082]
WIRE INSULATION DIA.
- 7 INSULATION: PVDF
COLOR: BLACK
- 8 DIMENSION APPLIES FROM EDGE OF METAL
WIRE BARREL TO CENTER OF STUD HOLE



	1000	5.0[.197]	#10	LOOSE PIECE	5	1-332430-1
	1000	4.34[.171]	M4[#8]	LOOSE PIECE	5	1-332430-0
PRELIMINARY	1000	5.0[.197]	#10	LOOSE PIECE	7	332430-6
PRELIMINARY	1000	4.34[.171]	M4[#8]	LOOSE PIECE	7	332430-5
PRELIMINARY	1000	3.68[.145]	M3.5[#6]	LOOSE PIECE	7	332430-4
	1000	3.68[.145]	M3.5[#6]	LOOSE PIECE	5	332430
	QTY	"A"	"B"	PACKAGE TYPE		PART NO

AMP INCORPORATED CUSTOMER SERVICE SYSTEMS		MAX RECOMMENDED OPERATING TEMPERATURE: 260°C[500°F]	THIS DRAWING IS A CONTROLLED DOCUMENT.		DWN JR RUTH 08SEP04	TE Connectivity					
FOR ADDITIONAL PRODUCT INFORMATION OR COPIES OF DRAWINGS AND TECHNICAL DOCUMENTS	PRODUCT INFORMATION CENTER 1-800-522-6752	VOLTAGE RATING: 300V MAX	DIMENSIONS: mm [INCHES]	TOLERANCES UNLESS OTHERWISE SPECIFIED:	CHK T MICHELUTTI 08SEP04			NAME TERMINAL, RING TONGUE, PIDG, STRATO-THERM, 26-24 AWG			
FOR APPLICATION TOOLING INFORMATION	TOOLING ASSISTANCE CENTER 1-800-722-1111	CIRCULAR MIL AREA: 0.12-0.24mm²[238-475] STRANDED WIRE ONLY		0 PLC ± - 1 PLC ± - 2 PLC ± - 3 PLC ± 0.127[.005] 4 PLC ± - ANGLES ± 1°	APVD T MICHELUTTI 08SEP04	PRODUCT SPEC	APPLICATION SPEC				
FOR ORDER ENTRY	1-800-526-5142		MATERIAL	FINISH	WEIGHT	0	SIZE A3	CAGE CODE 00779	DRAWING NO C-332430	RESTRICTED TO	-
CUSTOMER DRAWING								SCALE 8:1	SHEET 1 OF 1	REV P4	