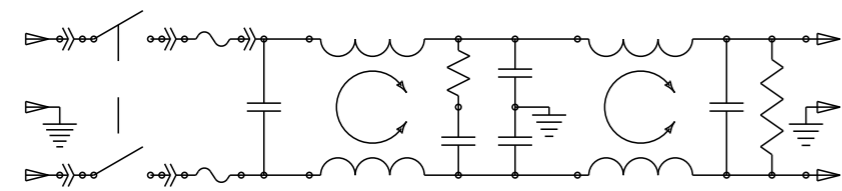
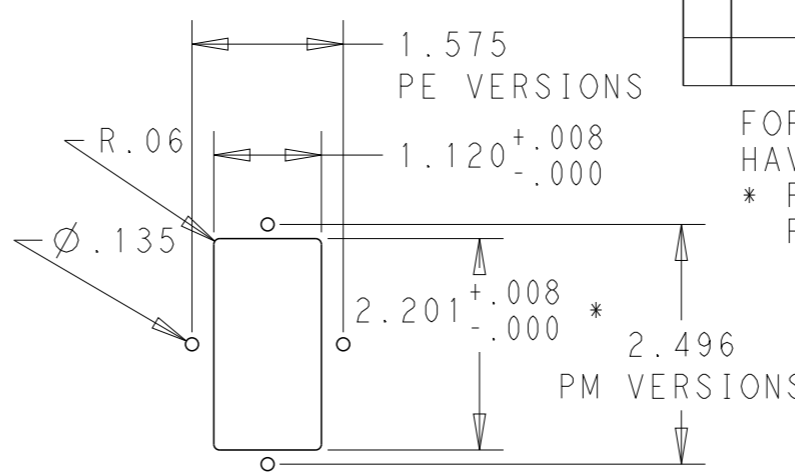


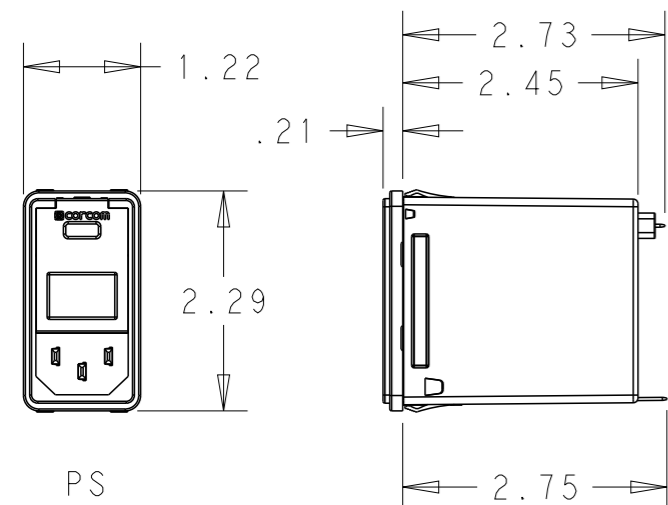
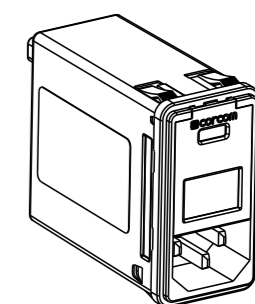
P	LTR	DESCRIPTION	DATE	DWN	APVD
	A	ECO-10-017557	10JAN2012	EC	EC

MINIMUM INSERTION LOSS, 50Ω LINE AND LOAD IMPEDANCES						
LINE TO GROUND (COMMON MODE)				LINE TO LINE (DIFFERENTIAL MODE)		
CURRENT RATING	FREQUENCY, MHz					
	.15	.5	1	3	10	30
3 AMP	50	60	60	49	40	30
6 AMP	34	58	58	47	37	30
10 AMP	6	35	45	45	38	30

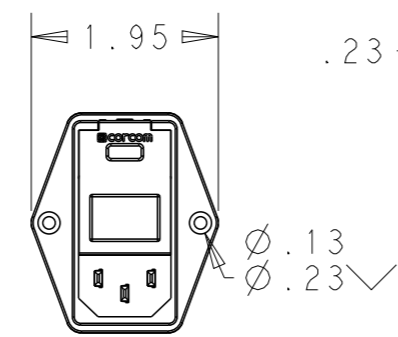
PANEL CUT-OUT



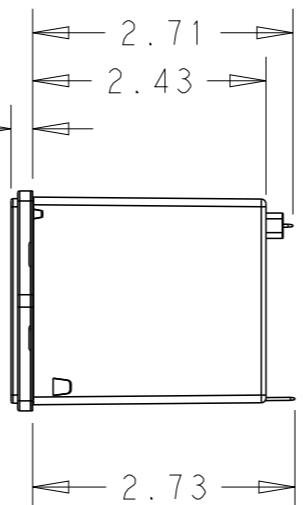
SCHEMATIC



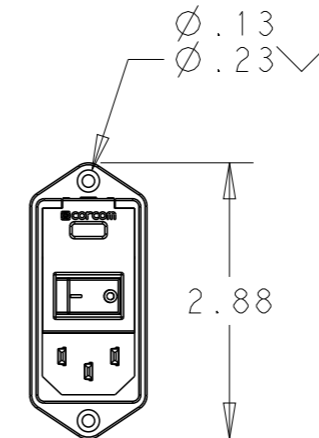
PS SNAP-IN MOUNTING



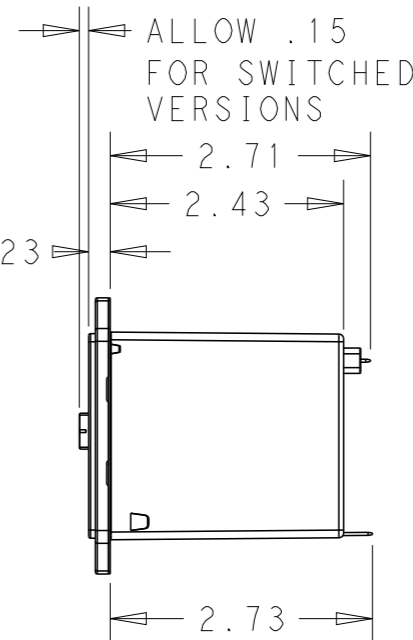
PE SHOWN WITHOUT SWITCH



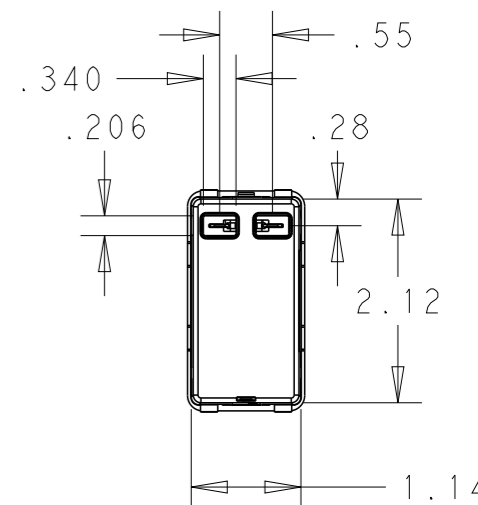
PE



PM SHOWN WITH SWITCH



PM



PS

PART NUMBER SYSTEM



MOUNTING STYLE
 S = SEE ABOVE
 E = SEE ABOVE
 M = SEE ABOVE

SWITCH OPTIONS
 0 = NONE
 S = DOUBLE POLE, SINGLE THROW

FUSE LOCATIONS
 D = DUAL FUSING
 S = SINGLE FUSING
 INCLUDES CONVERSION CLIP

PSOS0SM6E EXAMPLE:
 SNAP-IN MOUNTING
 WITH SWITCH
 SINGLE FUSING
 6 AMP
 0'S ARE ZEROS.

HIPOT RATING (ONE MINUTE)
 LINE TO GROUND: 1500 VAC
 LINE TO LINE: 1450 VDC
 OPERATING FREQUENCY: 50/60 Hz
 RATED VOLTAGE: 120/250 VAC
 FUSING: ACCEPTS 3AG Ø 1/4" X 1-1/4"
 OR METRIC Ø 5 mm X 20 mm
 OPERATING AMBIENT TEMP: -10°C TO 40°C
 STORAGE TEMPERATURE: -40°C TO 85°C

MAX LEAKAGE CURRENT .25mA @ 120V 60Hz
 PER LINE TO GROUND: .50mA @ 250V 60Hz
 HUMIDITY: 21 DAYS, 40°C @ 95%RH
 CURRENT OVERLOAD: 6X RATED FOR 8 SEC
 SWITCH: 10K CYCLES @ 51 AMP INRUSH
 TERMINALS: 0.187" X .032 FASTON TABS
 SAFETY AGENCIES: UL RECOGNIZED, CSA CERTIFIED, VDE APPROVED.

THIS DRAWING IS A CONTROLLED DOCUMENT.		DWN	20DEC2011	TE Connectivity
		EC		
		CHK	20DEC2011	NAME MEDIUM P SERIES SWITCHED, FUSED, 2-STAGE FILTERED INLET
		APVD	20DEC2011	
DIMENSIONS: INCHES		PRODUCT SPEC		SIZE A300779
		APPLICATION SPEC		
TOLERANCES UNLESS OTHERWISE SPECIFIED:		WEIGHT		CAGE CODE G-MEDIUM-P-SERIES
0 PLC ±.2 1 PLC ±.1 2 PLC ±.02 3 PLC ±.005 4 PLC ±.0005 ANGLES ±1		CUSTOMER DRAWING		
MATERIAL		SCALE	1:2	SHEET 1 OF 1 REV A
FINISH				