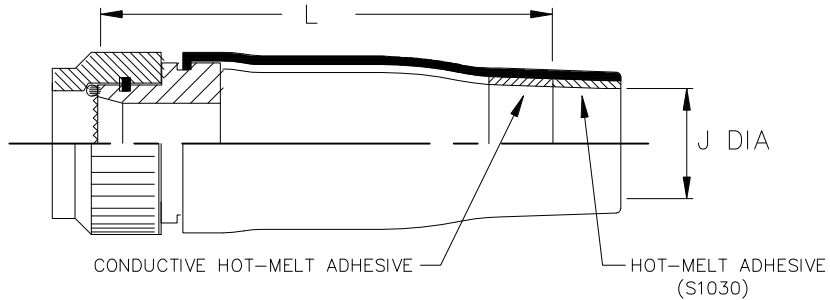


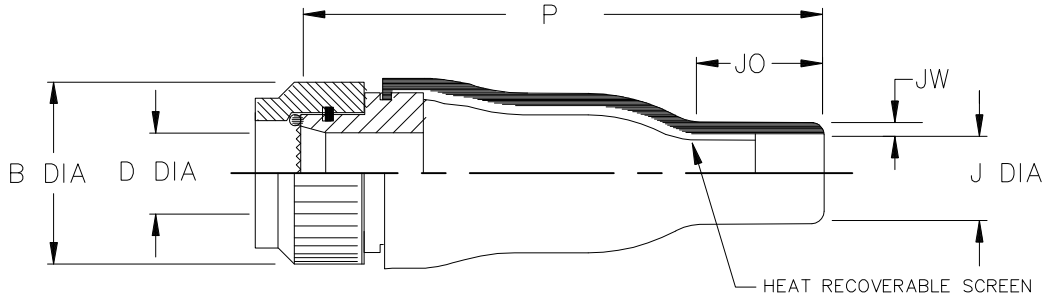
REVISIONS

P	LTR	DESCRIPTION	DATE	DWN	APVD
5		RELEASED AS PER ECO-17-009529	03JUL2017	PV	MP

a) Part as supplied.



b) Part after unrestricted recovery.



NOTES:

- Raychem Connector Code: 40
- Connector Series: MIL-C-38999 SERIES 3 & 4
- Adaptor Series: 208M7\*\*-19-B\*\*-K-NS (Olive Drab);  
Aluminium Alloy to BS1474 HE30TF, FC1 or 6262  
Cadmium per QQ-P-416, Type II, Class 3  
Over appropriate under plate,  
Per MIL-C-85049 (500 hour salt spray)
- Moulded Part Material: -100C (Black); Polyolefin/Silver Composites, Semi-flexible  
ZEROHAL™ Low fire hazard
- Kits to include cleaning tissue, 1 piece 100 grit emery cloth & packing piece.
- Kit to be used in conjunction with installation guide for straight assemblies.

Dimensions in mm [inches for reference]


Part No.	Shell Size	B DIA MAX	D DIA MIN	J		P ±10% b	L REF a	JO REF b	JW ±30% b
				MIN a	MAX b				
KTKK0670	A	19.2 [.76]	6.2 [.24]	7 [.28]	5 [.2]	57 [2.24]	51 [2.01]	15 [.59]	1.0 [.04]
KTKK0671	B	21.7 [.85]	9.3 [.37]	9 [.35]	6 [.24]	72 [2.83]	66 [2.6]	17 [.67]	1.0 [.04]
KTKK0672	C	25.5 [1.0]	12.9 [.51]	11 [.43]	7.2 [.28]	84 [3.31]	78 [3.07]	20 [.79]	1.0 [.04]
KTKK0673	D	29.3 [1.15]	14.1 [.56]	11 [.43]	7.2 [.28]	84 [3.31]	78 [3.07]	20 [.79]	1.0 [.04]
KTKK0674	E	31.9 [1.26]	18.8 [.74]	17 [.67]	8.5 [.33]	97 [3.82]	88 [3.46]	25 [.98]	1.0 [.04]
KTKK0675	F	35.7 [1.41]	18.8 [.74]	17 [.67]]	8.5 [.33]	97 [3.82]	88 [3.46]	25 [.98]	1.0 [.04]
KTKK0676	G	38.2 [1.5]	23.6 [.93]	21 [.83]	10 [.39]	122 [4.8]	110 [4.33]	30 [1.18]	1.2 [.05]
KTKK0677	H	42 [1.65]	23.6 [.93]	21 [.83]	10 [.39]	122 [4.8]	110 [4.33]	30 [1.18]	1.2 [.05]
KTKK0678	J	44.6 [1.76]	30.9 [1.22]	29 [1.14]	15.8 [.62]	147 [5.79]	132 [5.2]	30 [1.18]	1.5 [.06]

RELEASED FOR PUBLICATION

ALL RIGHTS RESERVED.

COPYRIGHT 2016 By TE Connectivity

THIS DRAWING IS UNPUBLISHED.

DIMENSIONS: mm [INCHES]	DWN P. VU	12OCT2016	MATERIAL	SEE NOTES	FINISH	SEE NOTES
	CHK N. NAGAR	12OCT2016	 TE Connectivity			
TOLERANCES UNLESS OTHERWISE SPECIFIED:	APVD M. POPE	12OCT2016				
0 PLC ± -	PRODUCT SPEC	NAME ADAPTOR ASSEMBLY				
1 PLC ± -	APPLICATION SPEC	SIZE CAGE CODE DRAWING NO RESTRICTED TO				
2 PLC ± -	WEIGHT	A4 00779 C-KTKK0670-0678				
3 PLC ± -	CUSTOMER DRAWING	SCALE DNS			SHEET 1 OF 1	REV 5
4 PLC ± -						
ANGLES ± -						