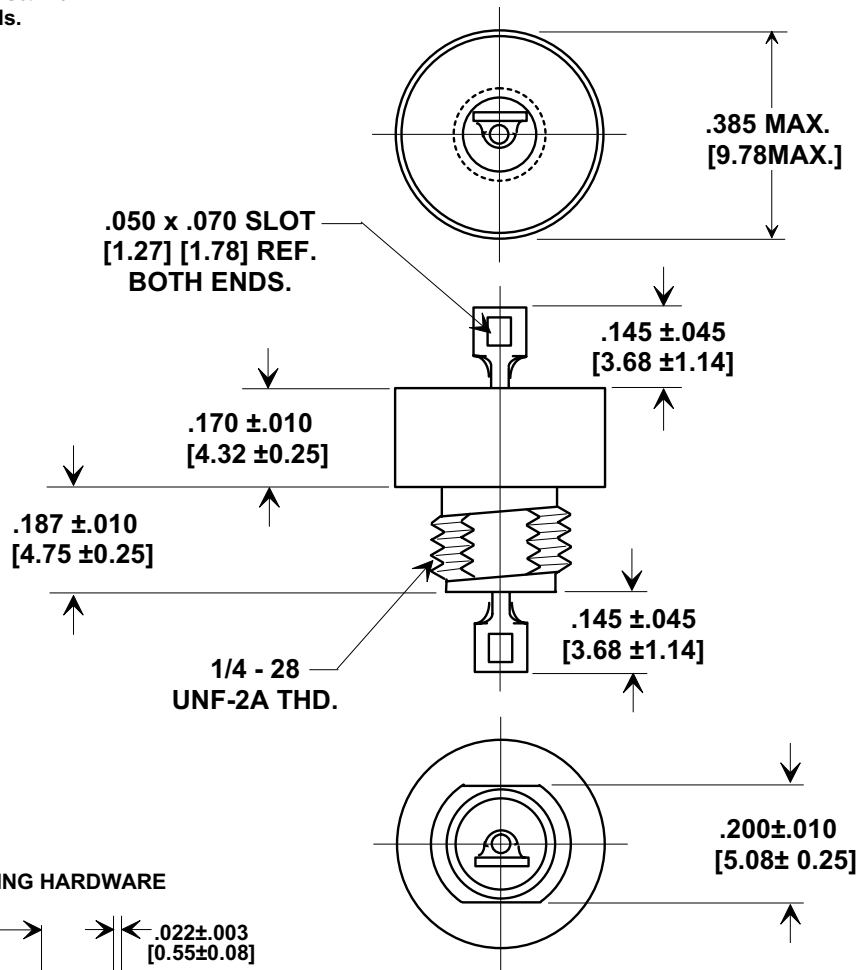
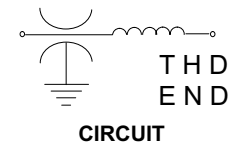
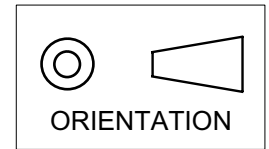


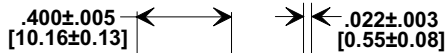
MARKETING SALES DRAWING

DIMENSIONS IN INCHES - DO NOT SCALE THIS DRAWING
DIMENSIONS IN METRIC - []

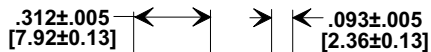
Electrical Testing
 per Tusonix standard
 test plans and Mil-Std-202
 Test Methods.



MOUNTING HARDWARE



LOCK WASHER



HEX NUT

NOTES:

MATERIALS:

- BUSHING - TIN PLATED STEEL
- LEAD - SOLDER PLATED COPPER
- NUT - TIN PLATED BRASS
- L'WASHER - TIN PLATED PHOSPHOR BRONZE
- MOUNTING TORQUE: 8 lb - ins. max
- SEAL TESTED PER MIL-STD-202 METHOD 112 CONDITION A.
- DCR - .01Ω max.
- MAX. SOLDER TEMPERATURE 500°F

Cx REF. ONLY	WORKING VOLTAGE DC		CURRENT D.C.	MINIMUM NO LOAD INSERTION LOSS (dB) AT 25°C PER MIL-STD-220					
	85°C	125°C		30 KHz	150 KHz	300 KHz	1 MHz	10 MHz	1 GHz
1.4 μF REF.	80	50	10 A	15	28	33	44	60	70

REVISION RECORD	Original Release	0
	C.O. 20010523-2-01	
	ADDED CX. S.M. 12-18-01	
	20011210-2-14	1

--TOLERANCES-- Unless Otherwise Specified		Title MI5733/38-0005	
DECIMAL ± // //		HERMETICALLY SEALED	
ANGLES ± // //		BUSHING MOUNT EMI FILTER	
Approved		Drawn S.M. 05-23-01	Scale X 3
Approved B.Mc. 05-23-01			
TUSONIX TUCSON, ARIZONA		A	4601-504

Mouser Electronics

Authorized Distributor

Click to View Pricing, Inventory, Delivery & Lifecycle Information:

[Tusonix:](#)

[4601-504](#)