

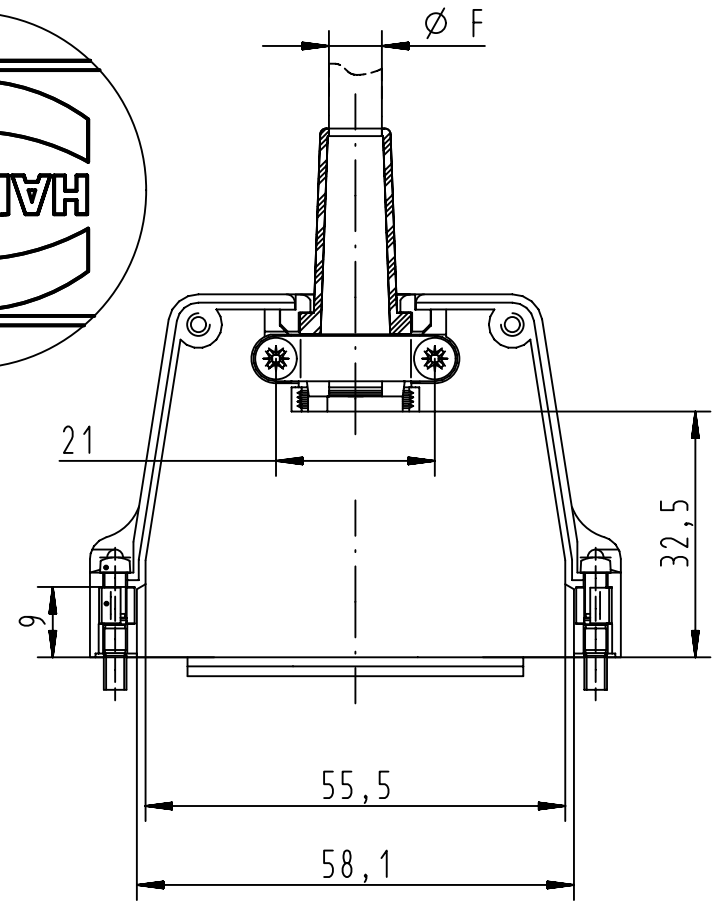
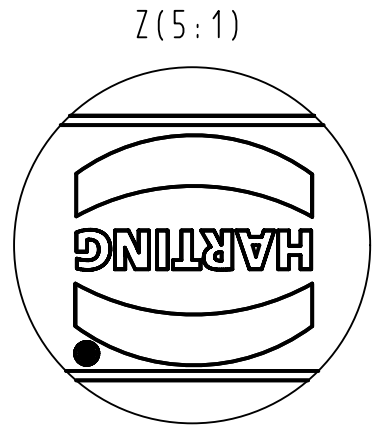
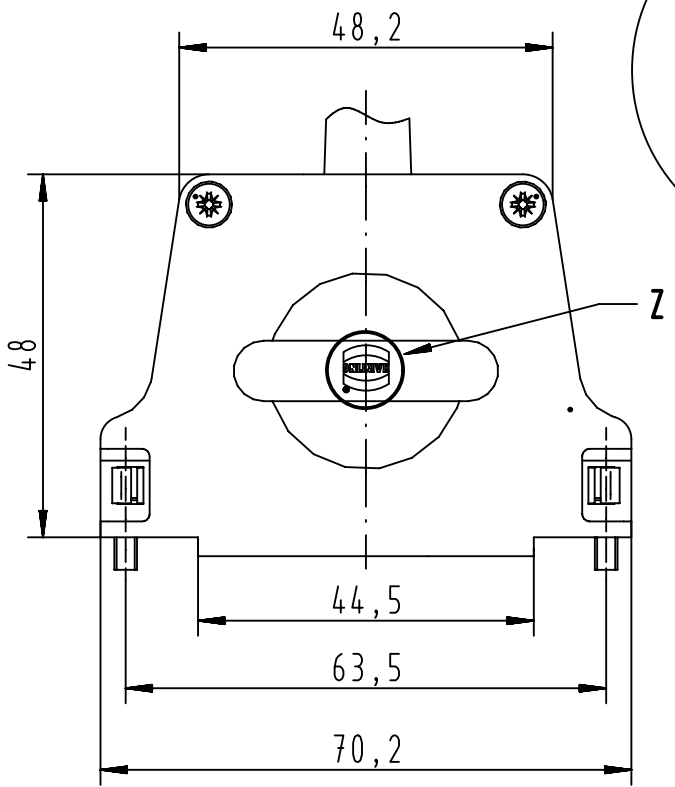
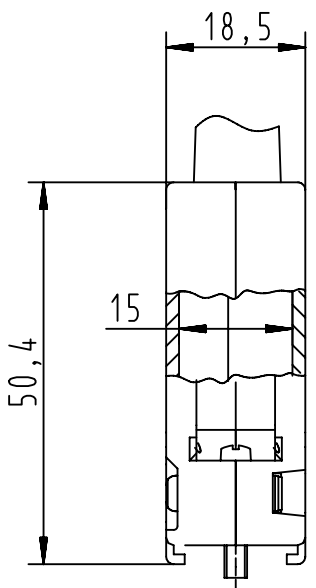
1 2 3 4 5 6

A

B

C


D



Minimum cable  $\varnothing$ :  
 $\varnothing F_{min}=3,0$

Maximum cable  $\varnothing$ :  
 - with rubber bushing :  $\varnothing F_{max}=9,0$   
 - without rubber bushing :  $\varnothing F_{max}=12,0$   
 - without reduction plate:  $\varnothing F_{max}=15$

<b>09670370349</b>	<b>M3</b>
Part number	screw thread

	All rights reserved Department EC PD - FR	All Dimensions in mm Original Size DIN A4			Scale 1:1	Free size tol.		Ref. Sub.	
		HARTING Electronics GmbH D-32339 Espelkamp	Created by DOUGE	Inspected by BAGDIKIAN	Standardisation HOFFMANN	Date 2013-02-05	State Final Release		Doc-Key / ECM-Nr. 100521327/UGD/001/A 500000056836
		Title D-Sub Hood 37P top entry full metal							
		Type TB	Number 09670370349			Rev. A		Page 1/1	

# Mouser Electronics

Authorized Distributor

Click to View Pricing, Inventory, Delivery & Lifecycle Information:

[HARTING:](#)

[09670370349](#)