

Jul.1.2019 Copyright 2019 HIROSE ELECTRIC CO., LTD. All Rights Reserved.

In case of consideration for using Automotive equipment / device which demand high reliability, kindly contact our sales window correspondents.

COUNT	DESCRIPTION OF REVISIONS	BY	CHKD	DATE	COUNT	DESCRIPTION OF REVISIONS	BY	CHKD	DATE
△					△				
△					△				
△					△				

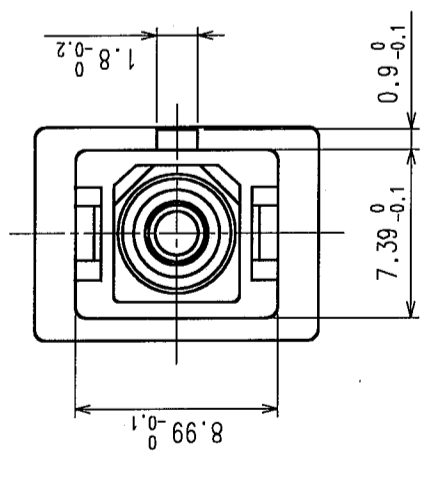
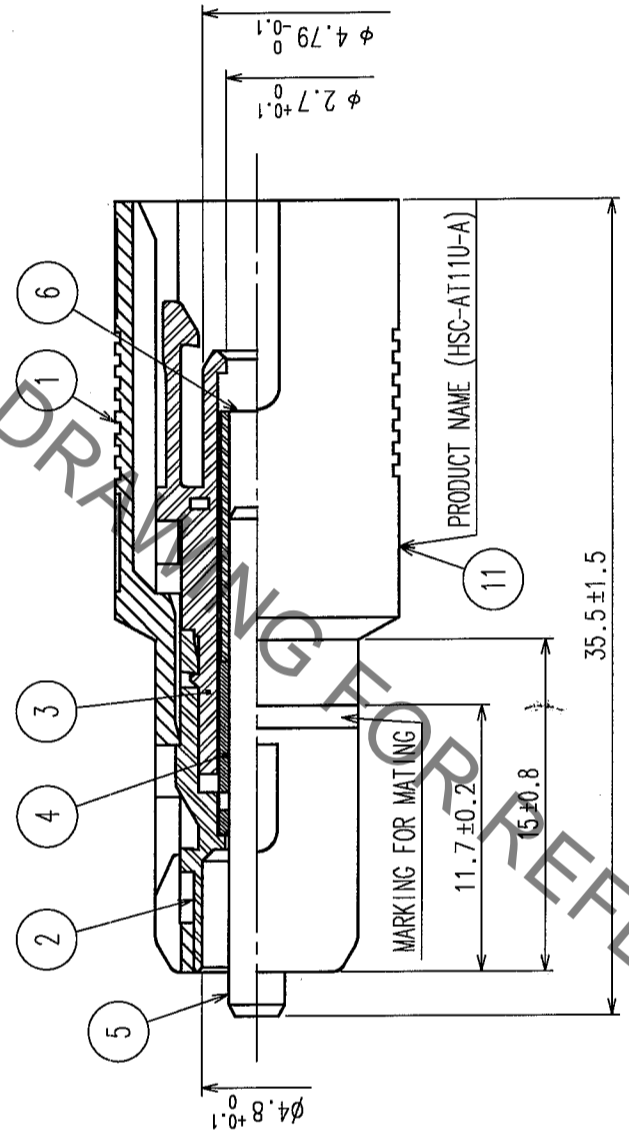
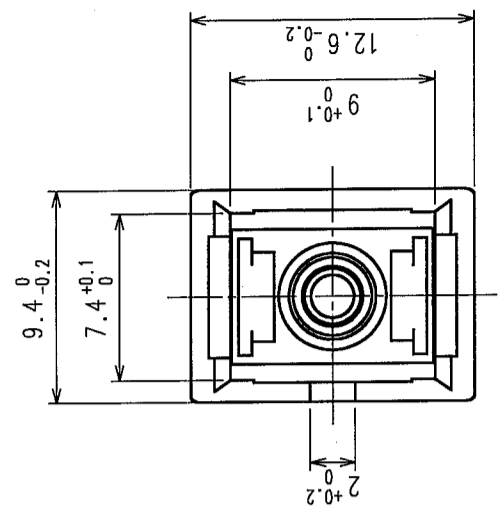
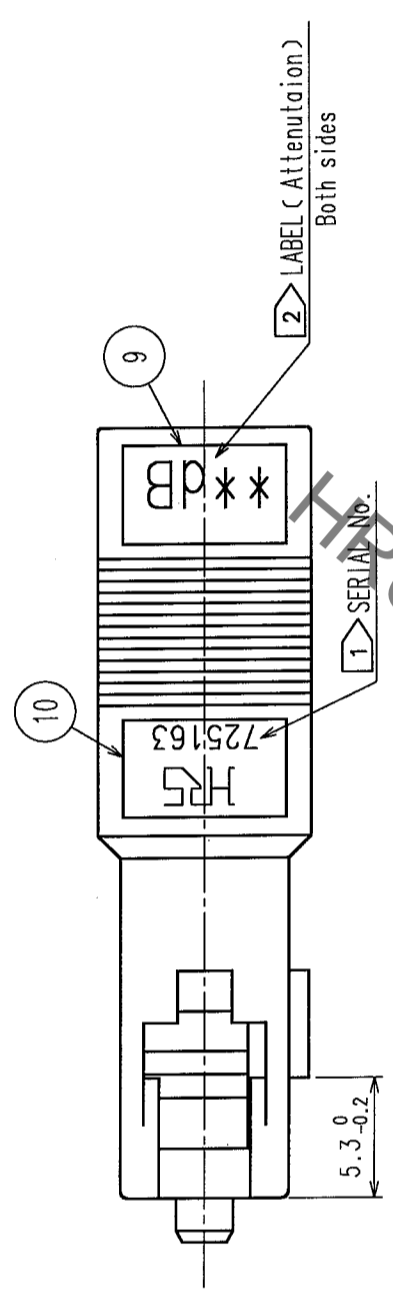
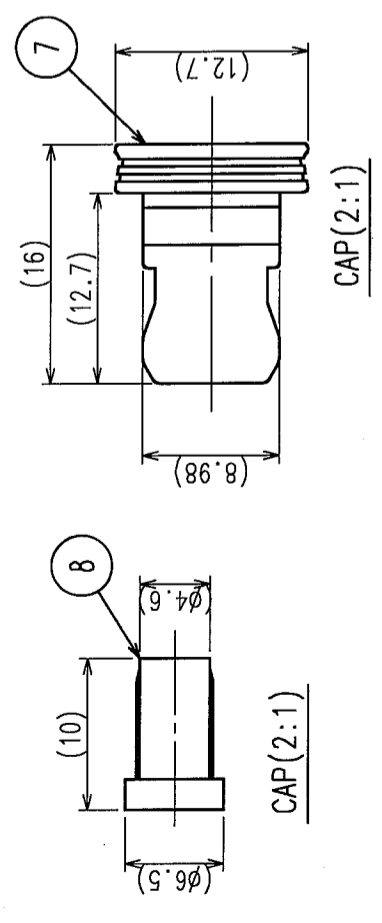


TABLE 1

* * ATT.	PART NO.	HRS NO.	* * ATT.	PART NO.	HRS NO.		
00	0dB	HSC-AT11U-A00	CL820-9500-2	10	10dB	HSC-AT11U-A10	CL820-9510-6
01	1dB	HSC-AT11U-A01	CL820-9501-5	11	11dB	HSC-AT11U-A11	CL820-9511-9
02	2dB	HSC-AT11U-A02	CL820-9502-8	12	12dB	HSC-AT11U-A12	CL820-9512-1
03	3dB	HSC-AT11U-A03	CL820-9503-0	13	13dB	HSC-AT11U-A13	CL820-9513-4
04	4dB	HSC-AT11U-A04	CL820-9504-3	14	14dB	HSC-AT11U-A14	CL820-9514-7
05	5dB	HSC-AT11U-A05	CL820-9505-6	15	15dB	HSC-AT11U-A15	CL820-9515-0
06	6dB	HSC-AT11U-A06	CL820-9506-9	16	16dB	HSC-AT11U-A16	CL820-9516-2
07	7dB	HSC-AT11U-A07	CL820-9507-1	20	20dB	HSC-AT11U-A20	CL820-9517-7
08	8dB	HSC-AT11U-A08	CL820-9508-4	25	25dB	HSC-AT11U-A25	CL820-9518-8
09	9dB	HSC-AT11U-A09	CL820-9509-7	30	30dB	HSC-AT11U-A30	CL820-9519-0

NO.	MATERIAL	FINISH, REMARKS	NO.	MATERIAL	FINISH, REMARKS
5	Zirconia		11	Polyester	
4	Stainless Steel		10	Polyester	
3	Synthetic Resin		9	Polyester	
2	Synthetic Resin		8	Polyester Elastomer	Black
1	Zink Alloy Die Casting	Nickel Plated	7	Synthetic Resin	Black
NO.	MATERIAL	FINISH, REMARKS	NO.	MATERIAL	FINISH, REMARKS

CODE NO. (OLD)	DRAWN	DESIGNED	CHECKED	APPROVED	RELEASED
	T. Oshida	T. Oshida	M. Kaneko	M. Tachibana	
	04.1.20	04.1.20	04.1.21	04.1.21	

NOTE 1 AN EXAMPLE OF SERIAL NO.
 2 THE SIGN ** CORRESPONDS TO THE ATTENUATION.
 3 PART NO. CORRESPONDING TO THE ATTENUATION ARE WRITTEN IN TABLE1.

DRAWING NO.	EDC3-175583	PART NO.	HSC-AT11U-A**
SCALE	3 : 1	CODE NO.	CL820
UNITS	mm		

TO