

## 32-bit MCU family built on the Power Architecture<sup>®</sup> for automotive body electronics applications

Datasheet - production data



### Features

- High-performance 64 MHz e200z0h CPU
  - 32-bit Power Architecture<sup>®</sup> technology
  - Up to 60 DMIPs operation
  - Variable length encoding (VLE)
- Memory
  - Up to 512 KB Code Flash with ECC
  - 64 KB Data Flash with ECC
  - Up to 48 KB SRAM with ECC
  - 8-entry memory protection unit (MPU)
- Interrupts
  - 16 priority levels
  - Non-maskable interrupt (NMI)
  - Up to 34 external interrupts incl. 18 wakeup lines
- GPIO: 45(LQFP64), 75(LQFP100), 123(LQFP144)
- Timer units
  - 6-channel 32-bit periodic interrupt timers
  - 4-channel 32-bit system timer module
  - Software watchdog timer
  - Real-time clock timer
- 16-bit counter time-triggered I/Os
  - Up to 56 channels with PWM/MC/IC/OC
  - ADC diagnostic via CTU
- Communications interface
  - Up to 6 FlexCAN interfaces (2.0B active) with 64-message objects each
  - Up to 4 LINFlex/UART
  - 3 DSPI / I2C
- Single 5 V or 3.3 V supply
- 10-bit analog-to-digital converter (ADC) with up to 36 channels
  - Extendable to 64 channels via external multiplexing
  - Individual conversion registers
  - Cross triggering unit (CTU)
- Dedicated diagnostic module for lighting
  - Advanced PWM generation
  - Time-triggered diagnostic
  - PWM-synchronized ADC measurements
- Clock generation
  - 4 to 16 MHz fast external crystal oscillator (FXOSC)
  - 32 kHz slow external crystal oscillator (SXOSC)
  - 16 MHz fast internal RC oscillator (FIRC)
  - 128 kHz slow internal RC oscillator (SIRC)
  - Software-controlled FMPLL
  - Clock monitor unit (CMU)
- Exhaustive debugging capability
  - Nexus1 on all devices
  - Nexus2+ available on emulation package (LBGA208)
- Low power capabilities
  - Ultra-low power standby with RTC, SRAM and CAN monitoring
  - Fast wakeup schemes
- Operating temp. range up to -40 to 125 °C

**Table 1. Device summary**

| Package               | Part number              |             |                          |             |
|-----------------------|--------------------------|-------------|--------------------------|-------------|
|                       | 256 KB code Flash memory |             | 512 KB code Flash memory |             |
| LQFP144               | SPC560B40L5              | —           | SPC560B50L5              | —           |
| LQFP100               | SPC560B40L3              | SPC560C40L3 | SPC560B50L3              | SPC560C50L3 |
| LQFP64 <sup>(1)</sup> | SPC560B40L1              | SPC560C40L1 | SPC560B50L1              | SPC560C50L1 |

1. All LQFP64 information is indicative and must be confirmed during silicon validation.

# Contents

- 1 Introduction ..... 8**
  - 1.1 Document overview ..... 8
  - 1.2 Description ..... 8
  
- 2 Block diagram ..... 11**
  
- 3 Package pinouts and signal descriptions ..... 15**
  - 3.1 Package pinouts ..... 15
  - 3.2 Pad configuration during reset phases ..... 18
  - 3.3 Voltage supply pins ..... 19
  - 3.4 Pad types ..... 19
  - 3.5 System pins ..... 20
  - 3.6 Functional ports ..... 20
  - 3.7 Nexus 2+ pins ..... 39
  - 3.8 Electrical characteristics ..... 39
  - 3.9 Introduction ..... 39
  - 3.10 Parameter classification ..... 40
  - 3.11 NVUSRO register ..... 40
    - 3.11.1 NVUSRO[PAD3V5V] field description ..... 40
    - 3.11.2 NVUSRO[OSCILLATOR\_MARGIN] field description ..... 41
    - 3.11.3 NVUSRO[WATCHDOG\_EN] field description ..... 41
  - 3.12 Absolute maximum ratings ..... 41
  - 3.13 Recommended operating conditions ..... 42
  - 3.14 Thermal characteristics ..... 44
    - 3.14.1 Package thermal characteristics ..... 44
    - 3.14.2 Power considerations ..... 45
  - 3.15 I/O pad electrical characteristics ..... 46
    - 3.15.1 I/O pad types ..... 46
    - 3.15.2 I/O input DC characteristics ..... 46
    - 3.15.3 I/O output DC characteristics ..... 48
    - 3.15.4 Output pin transition times ..... 50
    - 3.15.5 I/O pad current specification ..... 51

|          |   |           |
|----------|---|-----------|
| 3.16     | RESET electrical characteristics  | 57        |
| 3.17     | Power management electrical characteristics                               | 60        |
| 3.17.1   | Voltage regulator electrical characteristics                              | 60        |
| 3.17.2   | Low voltage detector electrical characteristics                           | 65        |
| 3.18     | Power consumption   | 66        |
| 3.19     | Flash memory electrical characteristics                                   | 68        |
| 3.19.1   | Program/Erase characteristics   | 68        |
| 3.19.2   | Flash power supply DC characteristics                                     | 69        |
| 3.19.3   | Start-up/Switch-off timings   | 70        |
| 3.20     | Electromagnetic compatibility (EMC) characteristics                       | 70        |
| 3.20.1   | Designing hardened software to avoid noise problems                       | 70        |
| 3.20.2   | Electromagnetic interference (EMI)  | 71        |
| 3.20.3   | Absolute maximum ratings (electrical sensitivity)                         | 71        |
| 3.21     | Fast external crystal oscillator (4 to 16 MHz) electrical characteristics | 72        |
| 3.22     | Slow external crystal oscillator (32 kHz) electrical characteristics      | 75        |
| 3.23     | FMPLL electrical characteristics  | 77        |
| 3.24     | Fast internal RC oscillator (16 MHz) electrical characteristics           | 78        |
| 3.25     | Slow internal RC oscillator (128 kHz) electrical characteristics          | 79        |
| 3.26     | ADC electrical characteristics  | 80        |
| 3.26.1   | Introduction  | 80        |
| 3.26.2   | Input impedance and ADC accuracy  | 80        |
| 3.26.3   | ADC electrical characteristics  | 85        |
| 3.27     | On-chip peripherals   | 87        |
| 3.27.1   | Current consumption   | 87        |
| 3.27.2   | DSPI characteristics  | 88        |
| 3.27.3   | Nexus characteristics   | 96        |
| 3.27.4   | JTAG characteristics  | 98        |
| <b>4</b> | <b>Package characteristics</b>  | <b>99</b> |
| 4.1      | ECOPACK®  | 99        |
| 4.2      | Package mechanical data   | 99        |
| 4.2.1    | LQFP64  | 99        |
| 4.2.2    | LQFP100   | 101       |
| 4.2.3    | LQFP144   | 102       |
| 4.2.4    | LBGA208   | 104       |

**5      Ordering information ..... 106**

**Appendix A   Abbreviations..... 107**

**Revision history ..... 108**

## List of tables

|           |   |    |
|-----------|---|----|
| Table 1.  | Device summary . . . . .  | 1  |
| Table 2.  | SPC560B40x/50x and SPC560C40x/50x device comparison . . . . .                       | 9  |
| Table 3.  | SPC560B40x/50x and SPC560C40x/50x series block summary . . . . .                    | 13 |
| Table 4.  | Voltage supply pin descriptions . . . . .   | 19 |
| Table 5.  | System pin descriptions . . . . .   | 20 |
| Table 6.  | Functional port pin descriptions . . . . .  | 21 |
| Table 7.  | Nexus 2+ pin descriptions . . . . .   | 39 |
| Table 8.  | Parameter classifications . . . . .   | 40 |
| Table 9.  | PAD3V5V field description . . . . .   | 40 |
| Table 10. | OSCILLATOR_MARGIN field description . . . . .                                       | 41 |
| Table 11. | WATCHDOG_EN field description . . . . .   | 41 |
| Table 12. | Absolute maximum ratings . . . . .  | 41 |
| Table 13. | Recommended operating conditions (3.3 V) . . . . .                                  | 42 |
| Table 14. | Recommended operating conditions (5.0 V) . . . . .                                  | 43 |
| Table 15. | LQFP thermal characteristics . . . . .  | 44 |
| Table 16. | I/O input DC electrical characteristics . . . . .                                   | 47 |
| Table 17. | I/O pull-up/pull-down DC electrical characteristics . . . . .                       | 48 |
| Table 18. | SLOW configuration output buffer electrical characteristics . . . . .               | 48 |
| Table 19. | MEDIUM configuration output buffer electrical characteristics . . . . .             | 49 |
| Table 20. | FAST configuration output buffer electrical characteristics . . . . .               | 50 |
| Table 21. | Output pin transition times . . . . .   | 50 |
| Table 22. | I/O supply segment . . . . .  | 51 |
| Table 23. | I/O consumption . . . . .   | 52 |
| Table 24. | I/O weight . . . . .  | 53 |
| Table 25. | Reset electrical characteristics . . . . .  | 58 |
| Table 26. | Voltage regulator electrical characteristics . . . . .                              | 63 |
| Table 27. | Low voltage detector electrical characteristics . . . . .                           | 66 |
| Table 28. | Power consumption on VDD_BV and VDD_HV . . . . .                                    | 66 |
| Table 29. | Program and erase specifications . . . . .  | 68 |
| Table 30. | Flash module life . . . . .   | 68 |
| Table 31. | Flash read access timing . . . . .  | 69 |
| Table 32. | Flash memory power supply DC electrical characteristics . . . . .                   | 69 |
| Table 33. | Start-up time/Switch-off time . . . . .   | 70 |
| Table 34. | EMI radiated emission measurement . . . . .   | 71 |
| Table 35. | ESD absolute maximum ratings . . . . .  | 71 |
| Table 36. | Latch-up results . . . . .  | 72 |
| Table 37. | Crystal description . . . . .   | 73 |
| Table 38. | Fast external crystal oscillator (4 to 16 MHz) electrical characteristics . . . . . | 74 |
| Table 39. | Crystal motional characteristics . . . . .  | 76 |
| Table 40. | Slow external crystal oscillator (32 kHz) electrical characteristics . . . . .      | 77 |
| Table 41. | FMPLL electrical characteristics . . . . .  | 77 |
| Table 42. | Fast internal RC oscillator (16 MHz) electrical characteristics . . . . .           | 78 |
| Table 43. | Slow internal RC oscillator (128 kHz) electrical characteristics . . . . .          | 79 |
| Table 44. | ADC input leakage current . . . . .   | 85 |
| Table 45. | ADC conversion characteristics . . . . .  | 86 |
| Table 46. | On-chip peripherals current consumption . . . . .                                   | 88 |
| Table 47. | DSPI characteristics . . . . .  | 90 |
| Table 48. | Nexus characteristics . . . . .   | 96 |

|           |                                     |     |
|-----------|-------------------------------------|-----|
| Table 49. | JTAG characteristics . . . . .      | 98  |
| Table 50. | LQFP64 mechanical data . . . . .    | 99  |
| Table 51. | LQFP100 mechanical data . . . . .   | 101 |
| Table 52. | LQFP144 mechanical data . . . . .   | 103 |
| Table 53. | LBGA208 mechanical data . . . . .   | 104 |
| Table 54. | Abbreviations . . . . .             | 107 |
| Table 55. | Document revision history . . . . . | 108 |

## List of figures

|            |   |     |
|------------|---|-----|
| Figure 1.  | SPC560B40x/50x and SPC560C40x/50x block diagram                           | 12  |
| Figure 2.  | LQFP 64-pin configuration   | 15  |
| Figure 3.  | LQFP 100-pin configuration  | 16  |
| Figure 4.  | LQFP 144-pin configuration  | 17  |
| Figure 5.  | LBGA208 configuration   | 18  |
| Figure 6.  | I/O input DC electrical characteristics definition                        | 47  |
| Figure 7.  | Start-up reset requirements   | 58  |
| Figure 8.  | Noise filtering on reset signal   | 58  |
| Figure 9.  | Voltage regulator capacitance connection                                  | 61  |
| Figure 10. | $V_{DD\_HV}$ and $V_{DD\_BV}$ maximum slope                               | 62  |
| Figure 11. | $V_{DD\_HV}$ and $V_{DD\_BV}$ supply constraints during STANDBY mode exit | 62  |
| Figure 12. | Low voltage detector vs reset   | 65  |
| Figure 13. | Crystal oscillator and resonator connection scheme                        | 73  |
| Figure 14. | Fast external crystal oscillator (4 to 16 MHz) timing diagram             | 74  |
| Figure 15. | Crystal oscillator and resonator connection scheme                        | 75  |
| Figure 16. | Equivalent circuit of a quartz crystal                                    | 76  |
| Figure 17. | Slow external crystal oscillator (32 kHz) timing diagram                  | 77  |
| Figure 18. | ADC characteristic and error definitions                                  | 80  |
| Figure 19. | Input equivalent circuit (precise channels)                               | 82  |
| Figure 20. | Input equivalent circuit (extended channels)                              | 82  |
| Figure 21. | Transient behavior during sampling phase                                  | 83  |
| Figure 22. | Spectral representation of input signal                                   | 84  |
| Figure 23. | DSPI classic SPI timing – master, CPHA = 0                                | 92  |
| Figure 24. | DSPI classic SPI timing – master, CPHA = 1                                | 93  |
| Figure 25. | DSPI classic SPI timing – slave, CPHA = 0                                 | 93  |
| Figure 26. | DSPI classic SPI timing – slave, CPHA = 1                                 | 94  |
| Figure 27. | DSPI modified transfer format timing – master, CPHA = 0                   | 94  |
| Figure 28. | DSPI modified transfer format timing – master, CPHA = 1                   | 95  |
| Figure 29. | DSPI modified transfer format timing – slave, CPHA = 0                    | 95  |
| Figure 30. | DSPI modified transfer format timing – slave, CPHA = 1                    | 96  |
| Figure 31. | DSPI PCS strobe (PCSS) timing   | 96  |
| Figure 32. | Nexus TDI, TMS, TDO timing  | 97  |
| Figure 33. | Timing diagram – JTAG boundary scan                                       | 98  |
| Figure 34. | LQFP64 package mechanical drawing   | 99  |
| Figure 35. | LQFP100 package mechanical drawing  | 101 |
| Figure 36. | LQFP144 package mechanical drawing  | 102 |
| Figure 37. | LBGA208 package mechanical drawing  | 104 |
| Figure 38. | Commercial product code structure   | 106 |

# 1 Introduction

## 1.1 Document overview

This document describes the features of the family and options available within the family members, and highlights important electrical and physical characteristics of the device. To ensure a complete understanding of the device functionality, refer also to the device reference manual and errata sheet.

## 1.2 Description

The SPC560B40x/50x and SPC560C40x/50x is a family of next generation microcontrollers built on the Power Architecture embedded category.

The SPC560B40x/50x and SPC560C40x/50x family of 32-bit microcontrollers is the latest achievement in integrated automotive application controllers. It belongs to an expanding family of automotive-focused products designed to address the next wave of body electronics applications within the vehicle. The advanced and cost-efficient host processor core of this automotive controller family complies with the Power Architecture embedded category and only implements the VLE (variable-length encoding) APU, providing improved code density. It operates at speeds of up to 64 MHz and offers high performance processing optimized for low power consumption. It capitalizes on the available development infrastructure of current Power Architecture devices and is supported with software drivers, operating systems and configuration code to assist with users implementations.



**Table 2. SPC560B40x/50x and SPC560C40x/50x device comparison<sup>(1)</sup>**

| Feature                           | Device                |                 |                 |                 |                 |                  |                 |                 |                 |                 |                 |
|-----------------------------------|-----------------------|-----------------|-----------------|-----------------|-----------------|------------------|-----------------|-----------------|-----------------|-----------------|-----------------|
|                                   | SPC560B<br>40L1       | SPC560B<br>40L3 | SPC560B<br>40L5 | SPC560C<br>40L1 | SPC560C<br>40L3 | SPC560B<br>50L1  | SPC560B<br>50L3 | SPC560B<br>50L5 | SPC560C<br>50L1 | SPC560C<br>50L3 | SPC560B<br>50B2 |
| CPU                               | e200z0h               |                 |                 |                 |                 |                  |                 |                 |                 |                 |                 |
| Execution speed <sup>(2)</sup>    | Static – up to 64 MHz |                 |                 |                 |                 |                  |                 |                 |                 |                 |                 |
| Code Flash                        | 256 KB                |                 |                 |                 |                 | 512 KB           |                 |                 |                 |                 |                 |
| Data Flash                        | 64 KB (4 × 16 KB)     |                 |                 |                 |                 |                  |                 |                 |                 |                 |                 |
| RAM                               | 24 KB                 |                 |                 | 32 KB           |                 | 32 KB            |                 |                 | 48 KB           |                 |                 |
| MPU                               | 8-entry               |                 |                 |                 |                 |                  |                 |                 |                 |                 |                 |
| ADC (10-bit)                      | 12 ch                 | 28 ch           | 36 ch           | 8 ch            | 28 ch           | 12 ch            | 28 ch           | 36 ch           | 8 ch            | 28 ch           | 36 ch           |
| CTU                               | Yes                   |                 |                 |                 |                 |                  |                 |                 |                 |                 |                 |
| Total timer I/O <sup>(3)</sup>    | 12 ch,                | 28 ch,          | 56 ch,          | 12 ch,          | 28 ch,          | 12 ch,           | 28 ch,          | 56 ch,          | 12 ch,          | 28 ch,          | 56 ch,          |
| eMIOS                             | 16-bit                | 16-bit          | 16-bit          | 16-bit          | 16-bit          | 16-bit           | 16-bit          | 16-bit          | 16-bit          | 16-bit          | 16-bit          |
| – PWM + MC + IC/OC <sup>(4)</sup> | 2 ch                  | 5 ch            | 10 ch           | 2 ch            | 5 ch            | 2 ch             | 5 ch            | 10 ch           | 2 ch            | 5 ch            | 10 ch           |
| – PWM + IC/OC <sup>(4)</sup>      | 10 ch                 | 20 ch           | 40 ch           | 10 ch           | 20 ch           | 10 ch            | 20 ch           | 40 ch           | 10 ch           | 20 ch           | 40 ch           |
| – IC/OC <sup>(4)</sup>            | —                     | 3 ch            | 6 ch            | —               | 3 ch            | —                | 3 ch            | 6 ch            | —               | 3 ch            | 6 ch            |
| SCI (LINFlex)                     | 3 <sup>(5)</sup>      |                 |                 | 4               |                 |                  |                 |                 |                 |                 |                 |
| SPI (DSPI)                        | 2                     | 3               |                 | 2               | 3               | 2                | 3               |                 | 2               | 3               |                 |
| CAN (FlexCAN)                     | 2 <sup>(6)</sup>      |                 |                 | 5               | 6               | 3 <sup>(7)</sup> |                 |                 | 5               | 6               |                 |
| I <sup>2</sup> C                  | 1                     |                 |                 |                 |                 |                  |                 |                 |                 |                 |                 |
| 32 kHz oscillator                 | Yes                   |                 |                 |                 |                 |                  |                 |                 |                 |                 |                 |
| GPIO <sup>(8)</sup>               | 45                    | 79              | 123             | 45              | 79              | 45               | 79              | 123             | 45              | 79              | 123             |



**Table 2. SPC560B40x/50x and SPC560C40x/50x device comparison<sup>(1)</sup> (continued)**

| Feature | Device                |                 |                 |                       |                 |                       |                 |                 |                       |                 |                 |                            |
|---------|-----------------------|-----------------|-----------------|-----------------------|-----------------|-----------------------|-----------------|-----------------|-----------------------|-----------------|-----------------|----------------------------|
|         | SPC560B<br>40L1       | SPC560B<br>40L3 | SPC560B<br>40L5 | SPC560C<br>40L1       | SPC560C<br>40L3 | SPC560B<br>50L1       | SPC560B<br>50L3 | SPC560B<br>50L5 | SPC560C<br>50L1       | SPC560C<br>50L3 | SPC560B<br>50B2 |                            |
| Debug   | JTAG                  |                 |                 |                       |                 |                       |                 |                 |                       |                 |                 | Nexus2+                    |
| Package | LQFP64 <sup>(9)</sup> | LQFP100         | LQFP144         | LQFP64 <sup>(9)</sup> | LQFP100         | LQFP64 <sup>(9)</sup> | LQFP100         | LQFP144         | LQFP64 <sup>(9)</sup> | LQFP100         | LQFP100         | LBGA208<br><sup>(10)</sup> |

1. Feature set dependent on selected peripheral multiplexing—table shows example implementation.
2. Based on 125 °C ambient operating temperature.
3. See the eMIOS section of the device reference manual for information on the channel configuration and functions.
4. IC – Input Capture; OC – Output Compare; PWM – Pulse Width Modulation; MC – Modulus counter.
5. SCI0, SCI1 and SCI2 are available. SCI3 is not available.
6. CAN0, CAN1 are available. CAN2, CAN3, CAN4 and CAN5 are not available.
7. CAN0, CAN1 and CAN2 are available. CAN3, CAN4 and CAN5 are not available.
8. I/O count based on multiplexing with peripherals.
9. All LQFP64 information is indicative and must be confirmed during silicon validation.
10. LBGA208 available only as development package for Nexus2+.

## 2 Block diagram

*Figure 1* shows a top-level block diagram of the SPC560B40x/50x and SPC560C40x/50x device series.

Figure 1. SPC560B40x/50x and SPC560C40x/50x block diagram



Table 3 summarizes the functions of all blocks present in the SPC560B40x/50x and SPC560C40x/50x series of microcontrollers. Please note that the presence and number of blocks vary by device and package.

**Table 3. SPC560B40x/50x and SPC560C40x/50x series block summary**

| Block  | Function  |
|--|---|
| Analog-to-digital converter (ADC)                | Multi-channel, 10-bit analog-to-digital converter   |
| Boot assist module (BAM)                         | A block of read-only memory containing VLE code which is executed according to the boot mode of the device  |
| Clock monitor unit (CMU)                         | Monitors clock source (internal and external) integrity   |
| Cross triggering unit (CTU)                      | Enables synchronization of ADC conversions with a timer event from the eMIOS or from the PIT  |
| Deserial serial peripheral interface (DSPI)      | Provides a synchronous serial interface for communication with external devices   |
| Error Correction Status Module (ECSM)            | Provides a myriad of miscellaneous control functions for the device including program-visible information about configuration and revision levels, a reset status register, wakeup control for exiting sleep modes, and optional features such as information on memory errors reported by error-correcting codes |
| Enhanced Direct Memory Access (eDMA)             | Performs complex data transfers with minimal intervention from a host processor via "n" programmable channels.  |
| Enhanced modular input output system (eMIOS)     | Provides the functionality to generate or measure events  |
| Flash memory                                     | Provides non-volatile storage for program code, constants and variables   |
| FlexCAN (controller area network)                | Supports the standard CAN communications protocol   |
| Frequency-modulated phase-locked loop (FMPLL)    | Generates high-speed system clocks and supports programmable frequency modulation   |
| Internal multiplexer (IMUX) SIU subblock         | Allows flexible mapping of peripheral interface on the different pins of the device   |
| Inter-integrated circuit (I <sup>2</sup> C™) bus | A two wire bidirectional serial bus that provides a simple and efficient method of data exchange between devices  |
| Interrupt controller (INTC)                      | Provides priority-based preemptive scheduling of interrupt requests   |
| JTAG controller                                  | Provides the means to test chip functionality and connectivity while remaining transparent to system logic when not in test mode  |
| LINFlex controller                               | Manages a high number of LIN (Local Interconnect Network protocol) messages efficiently with a minimum of CPU load  |
| Clock generation module (MC_CGM)                 | Provides logic and control required for the generation of system and peripheral clocks  |
| Mode entry module (MC_ME)                        | Provides a mechanism for controlling the device operational mode and mode transition sequences in all functional states; also manages the power control unit, reset generation module and clock generation module, and holds the configuration, control and status registers accessible for applications          |
| Power control unit (MC_PCU)                      | Reduces the overall power consumption by disconnecting parts of the device from the power supply via a power switching device; device components are grouped into sections called "power domains" which are controlled by the PCU   |
| Reset generation module (MC_RGM)                 | Centralizes reset sources and manages the device reset sequence of the device   |

Table 3. SPC560B40x/50x and SPC560C40x/50x series block summary (continued)

| Block                                     | Function   |
|---|--|
| Memory protection unit (MPU)              | Provides hardware access control for all memory references generated in a device   |
| Nexus development interface (NDI)         | Provides real-time development support capabilities in compliance with the IEEE-ISTO 5001-2003 standard  |
| Periodic interrupt timer (PIT)            | Produces periodic interrupts and triggers  |
| Real-time counter (RTC)                   | A free running counter used for time keeping applications, the RTC can be configured to generate an interrupt at a predefined interval independent of the mode of operation (run mode or low-power mode)                         |
| System integration unit (SIU)             | Provides control over all the electrical pad controls and up to 32 ports with 16 bits of bidirectional, general-purpose input and output signals and supports up to 32 external interrupts with trigger event configuration      |
| Static random-access memory (SRAM)        | Provides storage for program code, constants, and variables  |
| System status configuration module (SSCM) | Provides system configuration and status data (such as memory size and status, device mode and security status), device identification data, debug status port enable and selection, and bus and peripheral abort enable/disable |
| System timer module (STM)                 | Provides a set of output compare events to support AUTOSAR (Automotive Open System Architecture) and operating system tasks  |
| Software watchdog timer (SWT)             | Provides protection from runaway code  |
| Wakeup unit (WKPU)                        | The wakeup unit supports up to 18 external sources that can generate interrupts or wakeup events, of which 1 can cause non-maskable interrupt requests or wakeup events.   |
| Crossbar (XBAR) switch                    | Supports simultaneous connections between two master ports and three slave ports. The crossbar supports a 32-bit address bus width and a 64-bit data bus width.  |

### 3 Package pinouts and signal descriptions

#### 3.1 Package pinouts

The available LQFP pinouts and the LPGA208 ballmap are provided in the following figures. For pin signal descriptions, please refer to the device reference manual (RM0017).

Figure 2. LQFP 64-pin configuration<sup>(a)</sup>



a. All LQFP64 information is indicative and must be confirmed during silicon validation.

Figure 3. LQFP 100-pin configuration





Figure 4. LQFP 144-pin configuration



Figure 5. LBG208 configuration

|   |        |        |        |        |        |        |        |        |              |       |       |        |        |            |            |        |   |
|---|--------|--------|--------|--------|--------|--------|--------|--------|--------------|-------|-------|--------|--------|------------|------------|--------|---|
|   | 1      | 2      | 3      | 4      | 5      | 6      | 7      | 8      | 9            | 10    | 11    | 12     | 13     | 14         | 15         | 16     |   |
| A | PC[8]  | PC[13] | NC     | NC     | PH[8]  | PH[4]  | PC[5]  | PC[0]  | NC           | NC    | PC[2] | NC     | PE[15] | NC         | NC         | NC     | A |
| B | PC[9]  | PB[2]  | NC     | PC[12] | PE[6]  | PH[5]  | PC[4]  | PH[9]  | PH[10]       | NC    | PC[3] | PG[11] | PG[15] | PG[14]     | PA[11]     | PA[10] | B |
| C | PC[14] | VDD_HV | PB[3]  | PE[7]  | PH[7]  | PE[5]  | PE[3]  | VSS_LV | PC[1]        | NC    | PA[5] | NC     | PE[14] | PE[12]     | PA[9]      | PA[8]  | C |
| D | NC     | NC     | PC[15] | NC     | PH[6]  | PE[4]  | PE[2]  | VDD_LV | VDD_HV       | NC    | PA[6] | NC     | PG[10] | PF[14]     | PE[13]     | PA[7]  | D |
| E | PG[4]  | PG[5]  | PG[3]  | PG[2]  |        |        |        |        |              |       |       |        | PG[1]  | PG[0]      | PF[15]     | VDD_HV | E |
| F | PE[0]  | PA[2]  | PA[1]  | PE[1]  |        |        |        |        |              |       |       |        | PH[0]  | PH[1]      | PH[3]      | PH[2]  | F |
| G | PE[9]  | PE[8]  | PE[10] | PA[0]  | VSS_HV |        |        |        | VSS_HV       |       |       |        | VDD_HV | NC         | NC         | MSEO   | G |
| H | VSS_HV | PE[11] | VDD_HV | NC     | VSS_HV |        |        |        | VSS_HV       |       |       |        | MDO3   | MDO2       | MDO0       | MDO1   | H |
| J | RESET  | VSS_LV | NC     | NC     | VSS_HV |        |        |        | VSS_HV       |       |       |        | NC     | NC         | NC         | NC     | J |
| K | EVTI   | NC     | VDD_BV | VDD_LV | VSS_HV |        |        |        | VSS_HV       |       |       |        | NC     | PG[12]     | PA[3]      | PG[13] | K |
| L | PG[9]  | PG[8]  | NC     | EVTO   |        |        |        |        |              |       |       |        | PB[15] | PD[15]     | PD[14]     | PB[14] | L |
| M | PG[7]  | PG[6]  | PC[10] | PC[11] |        |        |        |        |              |       |       |        | PB[13] | PD[13]     | PD[12]     | PB[12] | M |
| N | PB[1]  | PF[9]  | PB[0]  | NC     | NC     | PA[4]  | VSS_LV | EXTAL  | VDD_HV       | PF[0] | PF[4] | NC     | PB[11] | PD[10]     | PD[9]      | PD[11] | N |
| P | PF[8]  | NC     | PC[7]  | NC     | NC     | PA[14] | VDD_LV | XTAL   | PB[10]       | PF[1] | PF[5] | PD[0]  | PD[3]  | VDD_HV_ADC | PB[6]      | PB[7]  | P |
| R | PF[12] | PC[6]  | PF[10] | PF[11] | VDD_HV | PA[15] | PA[13] | NC     | OSC32K_XTAL  | PF[3] | PF[7] | PD[2]  | PD[4]  | PD[7]      | VSS_HV_ADC | PB[5]  | R |
| T | NC     | NC     | NC     | MCKO   | NC     | PF[13] | PA[12] | NC     | OSC32K_EXTAL | PF[2] | PF[6] | PD[1]  | PD[5]  | PD[6]      | PD[8]      | PB[4]  | T |
|   | 1      | 2      | 3      | 4      | 5      | 6      | 7      | 8      | 9            | 10    | 11    | 12     | 13     | 14         | 15         | 16     |   |

1. Note: LBG208 available only as development package for Nexus 2+.

NC = Not connected

### 3.2 Pad configuration during reset phases

All pads have a fixed configuration under reset.

During the power-up phase, all pads are forced to tristate.

After power-up phase, all pads are forced to tristate with the following exceptions:

- PA[9] (FAB) is pull-down. Without external strong pull-up the device starts fetching from flash.
- PA[8] (ABS[0]) is pull-up.
- RESET pad is driven low. This is pull-up only after PHASE2 reset completion.
- JTAG pads (TCK, TMS and TDI) are pull-up whilst TDO remains tristate.
- Precise ADC pads (PB[7:4] and PD[11:0]) are left tristate (no output buffer available).
- Main oscillator pads (EXTAL, XTAL) are tristate.
- Nexus output pads (MDO[n], MCKO, EVTO, MSEO) are forced to output.

### 3.3 Voltage supply pins

Voltage supply pins are used to provide power to the device. Three dedicated VDD\_LV/VSS\_LV supply pairs are used for 1.2 V regulator stabilization.

**Table 4. Voltage supply pin descriptions**

| Port pin   | Function   | Pin number   |                    |                     |  |
|------------|--|--------------|--------------------|---------------------|--|
|            |  | LQFP64       | LQFP100            | LQFP144             | LBGA208 <sup>(1)</sup>   |
| VDD_HV     | Digital supply voltage   | 7, 28, 56    | 15, 37, 70, 84     | 19, 51, 100, 123    | C2, D9, E16, G13, H3, N9, R5   |
| VSS_HV     | Digital ground   | 6, 8, 26, 55 | 14, 16, 35, 69, 83 | 18, 20, 49, 99, 122 | G7, G8, G9, G10, H1, H7, H8, H9, H10, J7, J8, J9, J10, K7, K8, K9, K10 |
| VDD_LV     | 1.2V decoupling pins. Decoupling capacitor must be connected between these pins and the nearest V <sub>SS_LV</sub> pin. <sup>(2)</sup> | 11, 23, 57   | 19, 32, 85         | 23, 46, 124         | D8, K4, P7   |
| VSS_LV     | 1.2V decoupling pins. Decoupling capacitor must be connected between these pins and the nearest V <sub>DD_LV</sub> pin. <sup>(2)</sup> | 10, 24, 58   | 18, 33, 86         | 22, 47, 125         | C8, J2, N7   |
| VDD_BV     | Internal regulator supply voltage  | 12           | 20                 | 24                  | K3   |
| VSS_HV_ADC | Reference ground and analog ground for the ADC   | 33           | 51                 | 73                  | R15  |
| VDD_HV_ADC | Reference voltage and analog supply for the ADC  | 34           | 52                 | 74                  | P14  |

1. LBGA208 available only as development package for Nexus2+

2. A decoupling capacitor must be placed between each of the three VDD\_LV/VSS\_LV supply pairs to ensure stable voltage (see the recommended operating conditions in the device datasheet for details).

### 3.4 Pad types

In the device the following types of pads are available for system pins and functional port pins:

S = Slow<sup>(b)</sup>

M = Medium<sup>(b) (c)</sup>

F = Fast<sup>(b) (c)</sup>

I = Input only with analog feature<sup>(b)</sup>

J = Input/Output ('S' pad) with analog feature

X = Oscillator

b. See the I/O pad electrical characteristics in the device datasheet for details.

### 3.5 System pins

The system pins are listed in [Table 5](#).

**Table 5. System pin descriptions**

| System pin | Function  | I/O direction | Pad type | RESET configuration                   | Pin number |         |         |                        |
|------------|---|---------------|----------|---------------------------------------|------------|---------|---------|------------------------|
|            |   |               |          |                                       | LQFP64     | LQFP100 | LQFP144 | LBGA208 <sup>(1)</sup> |
| RESET      | Bidirectional reset with Schmitt-Trigger characteristics and noise filter.  | I/O           | M        | Input, weak pull-up only after PHASE2 | 9          | 17      | 21      | J1                     |
| EXTAL      | Analog output of the oscillator amplifier circuit, when the oscillator is not in bypass mode.<br>Analog input for the clock generator when the oscillator is in bypass mode. <sup>(2)</sup> | I/O           | X        | Tristate                              | 27         | 36      | 50      | N8                     |
| XTAL       | Analog input of the oscillator amplifier circuit. Needs to be grounded if oscillator is used in bypass mode. <sup>(2)</sup>   | I             | X        | Tristate                              | 25         | 34      | 48      | P8                     |

1. LBGA208 available only as development package for Nexus2+
2. See the relevant section of the datasheet

### 3.6 Functional ports

The functional port pins are listed in [Table 6](#).

---

c. All medium and fast pads are in slow configuration by default at reset and can be configured as fast or medium (see PCR.SRC in section Pad Configuration Registers (PCR0–PCR122) in the device reference manual).

Table 6. Functional port pin descriptions

| Port pin | PCR    | Alternate function <sup>(1)</sup>  | Function   | Peripheral                                | I/O direction <sup>(2)</sup>   | Pad type | RESET configuration | Pin number |         |         |                        |
|----------|--------|------------------------------------|--|---|--------------------------------|----------|---------------------|------------|---------|---------|------------------------|
|          |        |                                    |  |   |                                |          |                     | LQFP64     | LQFP100 | LQFP144 | LBGA208 <sup>(3)</sup> |
| PA[0]    | PCR[0] | AF0<br>AF1<br>AF2<br>AF3<br>—      | GPIO[0]<br>E0UC[0]<br>CLKOUT<br>—<br>WKPU[19] <sup>(4)</sup>                 | SIUL<br>eMIOS_0<br>CGL<br>—<br>WKPU       | I/O<br>I/O<br>O<br>—<br>I      | M        | Tristate            | 5          | 12      | 16      | G4                     |
| PA[1]    | PCR[1] | AF0<br>AF1<br>AF2<br>AF3<br>—<br>— | GPIO[1]<br>E0UC[1]<br>—<br>—<br>NMI <sup>(5)</sup><br>WKPU[2] <sup>(4)</sup> | SIUL<br>eMIOS_0<br>—<br>—<br>WKPU<br>WKPU | I/O<br>I/O<br>—<br>—<br>I<br>I | S        | Tristate            | 4          | 7       | 11      | F3                     |
| PA[2]    | PCR[2] | AF0<br>AF1<br>AF2<br>AF3<br>—      | GPIO[2]<br>E0UC[2]<br>—<br>—<br>WKPU[3] <sup>(4)</sup>                       | SIUL<br>eMIOS_0<br>—<br>—<br>WKPU         | I/O<br>I/O<br>—<br>—<br>I      | S        | Tristate            | 3          | 5       | 9       | F2                     |
| PA[3]    | PCR[3] | AF0<br>AF1<br>AF2<br>AF3<br>—      | GPIO[3]<br>E0UC[3]<br>—<br>—<br>EIRQ[0]                                      | SIUL<br>eMIOS_0<br>—<br>—<br>SIUL         | I/O<br>I/O<br>—<br>—<br>I      | S        | Tristate            | 43         | 68      | 90      | K15                    |
| PA[4]    | PCR[4] | AF0<br>AF1<br>AF2<br>AF3<br>—      | GPIO[4]<br>E0UC[4]<br>—<br>—<br>WKPU[9] <sup>(4)</sup>                       | SIUL<br>eMIOS_0<br>—<br>—<br>WKPU         | I/O<br>I/O<br>—<br>—<br>I      | S        | Tristate            | 20         | 29      | 43      | N6                     |
| PA[5]    | PCR[5] | AF0<br>AF1<br>AF2<br>AF3           | GPIO[5]<br>E0UC[5]<br>—<br>—   | SIUL<br>eMIOS_0<br>—<br>—                 | I/O<br>I/O<br>—<br>—           | M        | Tristate            | 51         | 79      | 118     | C11                    |
| PA[6]    | PCR[6] | AF0<br>AF1<br>AF2<br>AF3<br>—      | GPIO[6]<br>E0UC[6]<br>—<br>—<br>EIRQ[1]                                      | SIUL<br>eMIOS_0<br>—<br>—<br>SIUL         | I/O<br>I/O<br>—<br>—<br>I      | S        | Tristate            | 52         | 80      | 119     | D11                    |

Table 6. Functional port pin descriptions (continued)

| Port pin | PCR     | Alternate function <sup>(1)</sup>                        | Function  | Peripheral  | I/O direction <sup>(2)</sup>        | Pad type | RESET configuration | Pin number |         |         |                        |
|----------|---------|--|---|---|-------------------------------------|----------|---------------------|------------|---------|---------|------------------------|
|          |         |  |   |   |                                     |          |                     | LQFP64     | LQFP100 | LQFP144 | LBGA208 <sup>(3)</sup> |
| PA[7]    | PCR[7]  | AF0<br>AF1<br>AF2<br>AF3<br>—                            | GPIO[7]<br>E0UC[7]<br>LIN3TX<br>—<br>EIRQ[2]                | SIUL<br>eMIOS_0<br>LINFlex_3<br>—<br>SIUL             | I/O<br>I/O<br>O<br>—<br>I           | S        | Tristate            | 44         | 71      | 104     | D16                    |
| PA[8]    | PCR[8]  | AF0<br>AF1<br>AF2<br>AF3<br>—<br>N/A <sup>(6)</sup><br>— | GPIO[8]<br>E0UC[8]<br>—<br>—<br>EIRQ[3]<br>ABS[0]<br>LIN3RX | SIUL<br>eMIOS_0<br>—<br>—<br>SIUL<br>BAM<br>LINFlex_3 | I/O<br>I/O<br>—<br>—<br>I<br>I<br>I | S        | Input, weak pull-up | 45         | 72      | 105     | C16                    |
| PA[9]    | PCR[9]  | AF0<br>AF1<br>AF2<br>AF3<br>N/A <sup>(6)</sup>           | GPIO[9]<br>E0UC[9]<br>—<br>—<br>FAB                         | SIUL<br>eMIOS_0<br>—<br>—<br>BAM                      | I/O<br>I/O<br>—<br>—<br>I           | S        | Pull-down           | 46         | 73      | 106     | C15                    |
| PA[10]   | PCR[10] | AF0<br>AF1<br>AF2<br>AF3                                 | GPIO[10]<br>E0UC[10]<br>SDA<br>—                            | SIUL<br>eMIOS_0<br>I2C_0<br>—                         | I/O<br>I/O<br>I/O<br>—              | S        | Tristate            | 47         | 74      | 107     | B16                    |
| PA[11]   | PCR[11] | AF0<br>AF1<br>AF2<br>AF3                                 | GPIO[11]<br>E0UC[11]<br>SCL<br>—                            | SIUL<br>eMIOS_0<br>I2C_0<br>—                         | I/O<br>I/O<br>I/O<br>—              | S        | Tristate            | 48         | 75      | 108     | B15                    |
| PA[12]   | PCR[12] | AF0<br>AF1<br>AF2<br>AF3<br>—                            | GPIO[12]<br>—<br>—<br>—<br>SIN_0                            | SIUL<br>—<br>—<br>—<br>DSPI0                          | I/O<br>—<br>—<br>—<br>I             | S        | Tristate            | 22         | 31      | 45      | T7                     |
| PA[13]   | PCR[13] | AF0<br>AF1<br>AF2<br>AF3                                 | GPIO[13]<br>SOUT_0<br>—<br>—                                | SIUL<br>DSPI_0<br>—<br>—                              | I/O<br>O<br>—<br>—                  | M        | Tristate            | 21         | 30      | 44      | R7                     |

Table 6. Functional port pin descriptions (continued)

| Port pin | PCR     | Alternate function <sup>(1)</sup>  | Function   | Peripheral                                   | I/O direction <sup>(2)</sup>   | Pad type | RESET configuration | Pin number |         |         |                        |
|----------|---------|------------------------------------|--|--|--------------------------------|----------|---------------------|------------|---------|---------|------------------------|
|          |         |                                    |  |  |                                |          |                     | LQFP64     | LQFP100 | LQFP144 | LBGA208 <sup>(3)</sup> |
| PA[14]   | PCR[14] | AF0<br>AF1<br>AF2<br>AF3<br>—      | GPIO[14]<br>SCK_0<br>CS0_0<br>—<br>EIRQ[4]                     | SIUL<br>DSPI_0<br>DSPI_0<br>—<br>SIUL        | I/O<br>I/O<br>I/O<br>—<br>I    | M        | Tristate            | 19         | 28      | 42      | P6                     |
| PA[15]   | PCR[15] | AF0<br>AF1<br>AF2<br>AF3<br>—      | GPIO[15]<br>CS0_0<br>SCK_0<br>—<br>WKPU[10] <sup>(4)</sup>     | SIUL<br>DSPI_0<br>DSPI_0<br>—<br>WKPU        | I/O<br>I/O<br>I/O<br>—<br>I    | M        | Tristate            | 18         | 27      | 40      | R6                     |
| PB[0]    | PCR[16] | AF0<br>AF1<br>AF2<br>AF3           | GPIO[16]<br>CAN0TX<br>—<br>—                                   | SIUL<br>FlexCAN_0<br>—<br>—                  | I/O<br>O<br>—<br>—             | M        | Tristate            | 14         | 23      | 31      | N3                     |
| PB[1]    | PCR[17] | AF0<br>AF1<br>AF2<br>AF3<br>—<br>— | GPIO[17]<br>—<br>—<br>—<br>WKPU[4] <sup>(4)</sup><br>CAN0RX    | SIUL<br>—<br>—<br>—<br>WKPU<br>FlexCAN_0     | I/O<br>—<br>—<br>—<br>I<br>I   | S        | Tristate            | 15         | 24      | 32      | N1                     |
| PB[2]    | PCR[18] | AF0<br>AF1<br>AF2<br>AF3           | GPIO[18]<br>LIN0TX<br>SDA<br>—                                 | SIUL<br>LINFlex_0<br>I2C_0<br>—              | I/O<br>O<br>I/O<br>—           | M        | Tristate            | 64         | 100     | 144     | B2                     |
| PB[3]    | PCR[19] | AF0<br>AF1<br>AF2<br>AF3<br>—<br>— | GPIO[19]<br>—<br>SCL<br>—<br>WKPU[11] <sup>(4)</sup><br>LIN0RX | SIUL<br>—<br>I2C_0<br>—<br>WKPU<br>LINFlex_0 | I/O<br>—<br>I/O<br>—<br>I<br>I | S        | Tristate            | 1          | 1       | 1       | C3                     |
| PB[4]    | PCR[20] | AF0<br>AF1<br>AF2<br>AF3<br>—      | GPIO[20]<br>—<br>—<br>—<br>GPI[0]                              | SIUL<br>—<br>—<br>—<br>ADC                   | I<br>—<br>—<br>—<br>I          | I        | Tristate            | 32         | 50      | 72      | T16                    |

Table 6. Functional port pin descriptions (continued)

| Port pin | PCR     | Alternate function <sup>(1)</sup>  | Function   | Peripheral                          | I/O direction <sup>(2)</sup> | Pad type | RESET configuration | Pin number |         |         |                        |
|----------|---------|------------------------------------|--|-------------------------------------|------------------------------|----------|---------------------|------------|---------|---------|------------------------|
|          |         |                                    |  |                                     |                              |          |                     | LQFP64     | LQFP100 | LQFP144 | LBGA208 <sup>(3)</sup> |
| PB[5]    | PCR[21] | AF0<br>AF1<br>AF2<br>AF3<br>—      | GPIO[21]<br>—<br>—<br>—<br>GPI[1]                                | SIUL<br>—<br>—<br>—<br>ADC          | I<br>—<br>—<br>—<br>I        | I        | Tristate            | 35         | 53      | 75      | R16                    |
| PB[6]    | PCR[22] | AF0<br>AF1<br>AF2<br>AF3<br>—      | GPIO[22]<br>—<br>—<br>—<br>GPI[2]                                | SIUL<br>—<br>—<br>—<br>ADC          | I<br>—<br>—<br>—<br>I        | I        | Tristate            | 36         | 54      | 76      | P15                    |
| PB[7]    | PCR[23] | AF0<br>AF1<br>AF2<br>AF3<br>—      | GPIO[23]<br>—<br>—<br>—<br>GPI[3]                                | SIUL<br>—<br>—<br>—<br>ADC          | I<br>—<br>—<br>—<br>I        | I        | Tristate            | 37         | 55      | 77      | P16                    |
| PB[8]    | PCR[24] | AF0<br>AF1<br>AF2<br>AF3<br>—<br>— | GPIO[24]<br>—<br>—<br>—<br>ANS[0]<br>OSC32K_XTAL <sup>(7)</sup>  | SIUL<br>—<br>—<br>—<br>ADC<br>SXOSC | I<br>—<br>—<br>—<br>I<br>I/O | I        | Tristate            | 30         | 39      | 53      | R9                     |
| PB[9]    | PCR[25] | AF0<br>AF1<br>AF2<br>AF3<br>—<br>— | GPIO[25]<br>—<br>—<br>—<br>ANS[1]<br>OSC32K_EXTAL <sup>(7)</sup> | SIUL<br>—<br>—<br>—<br>ADC<br>SXOSC | I<br>—<br>—<br>—<br>I<br>I/O | I        | Tristate            | 29         | 38      | 52      | T9                     |
| PB[10]   | PCR[26] | AF0<br>AF1<br>AF2<br>AF3<br>—<br>— | GPIO[26]<br>—<br>—<br>—<br>ANS[2]<br>WKPU[8] <sup>(4)</sup>      | SIUL<br>—<br>—<br>—<br>ADC<br>WKPU  | I/O<br>—<br>—<br>—<br>I<br>I | J        | Tristate            | 31         | 40      | 54      | P9                     |



Table 6. Functional port pin descriptions (continued)

| Port pin             | PCR     | Alternate function <sup>(1)</sup> | Function                                    | Peripheral                            | I/O direction <sup>(2)</sup> | Pad type | RESET configuration | Pin number |         |         |                        |
|----------------------|---------|-----------------------------------|---|---------------------------------------|------------------------------|----------|---------------------|------------|---------|---------|------------------------|
|                      |         |                                   |   |                                       |                              |          |                     | LQFP64     | LQFP100 | LQFP144 | LBGA208 <sup>(3)</sup> |
| PB[11]<br>(8)        | PCR[27] | AF0<br>AF1<br>AF2<br>AF3<br>—     | GPIO[27]<br>E0UC[3]<br>—<br>CS0_0<br>ANS[3] | SIUL<br>eMIOS_0<br>—<br>DSPI_0<br>ADC | I/O<br>I/O<br>—<br>I/O<br>I  | J        | Tristate            | 38         | 59      | 81      | N13                    |
| PB[12]               | PCR[28] | AF0<br>AF1<br>AF2<br>AF3<br>—     | GPIO[28]<br>E0UC[4]<br>—<br>CS1_0<br>ANX[0] | SIUL<br>eMIOS_0<br>—<br>DSPI_0<br>ADC | I/O<br>I/O<br>—<br>O<br>I    | J        | Tristate            | 39         | 61      | 83      | M16                    |
| PB[13]               | PCR[29] | AF0<br>AF1<br>AF2<br>AF3<br>—     | GPIO[29]<br>E0UC[5]<br>—<br>CS2_0<br>ANX[1] | SIUL<br>eMIOS_0<br>—<br>DSPI_0<br>ADC | I/O<br>I/O<br>—<br>O<br>I    | J        | Tristate            | 40         | 63      | 85      | M13                    |
| PB[14]               | PCR[30] | AF0<br>AF1<br>AF2<br>AF3<br>—     | GPIO[30]<br>E0UC[6]<br>—<br>CS3_0<br>ANX[2] | SIUL<br>eMIOS_0<br>—<br>DSPI_0<br>ADC | I/O<br>I/O<br>—<br>O<br>I    | J        | Tristate            | 41         | 65      | 87      | L16                    |
| PB[15]               | PCR[31] | AF0<br>AF1<br>AF2<br>AF3<br>—     | GPIO[31]<br>E0UC[7]<br>—<br>CS4_0<br>ANX[3] | SIUL<br>eMIOS_0<br>—<br>DSPI_0<br>ADC | I/O<br>I/O<br>—<br>O<br>I    | J        | Tristate            | 42         | 67      | 89      | L13                    |
| PC[0] <sup>(9)</sup> | PCR[32] | AF0<br>AF1<br>AF2<br>AF3          | GPIO[32]<br>—<br>TDI<br>—                   | SIUL<br>—<br>JTAGC<br>—               | I/O<br>—<br>I<br>—           | M        | Input, weak pull-up | 59         | 87      | 126     | A8                     |
| PC[1] <sup>(9)</sup> | PCR[33] | AF0<br>AF1<br>AF2<br>AF3          | GPIO[33]<br>—<br>TDO <sup>(10)</sup><br>—   | SIUL<br>—<br>JTAGC<br>—               | I/O<br>—<br>O<br>—           | M        | Tristate            | 54         | 82      | 121     | C9                     |

Table 6. Functional port pin descriptions (continued)

| Port pin | PCR     | Alternate function <sup>(1)</sup>       | Function   | Peripheral   | I/O direction <sup>(2)</sup>        | Pad type | RESET configuration | Pin number |         |         |                        |
|----------|---------|---|--|--|-------------------------------------|----------|---------------------|------------|---------|---------|------------------------|
|          |         |   |  |  |                                     |          |                     | LQFP64     | LQFP100 | LQFP144 | LBGA208 <sup>(3)</sup> |
| PC[2]    | PCR[34] | AF0<br>AF1<br>AF2<br>AF3<br>—           | GPIO[34]<br>SCK_1<br>CAN4TX <sup>(11)</sup><br>—<br>EIRQ[5]                    | SIUL<br>DSPI_1<br>FlexCAN_4<br>—<br>SIUL                     | I/O<br>I/O<br>O<br>—<br>I           | M        | Tristate            | 50         | 78      | 117     | A11                    |
| PC[3]    | PCR[35] | AF0<br>AF1<br>AF2<br>AF3<br>—<br>—<br>— | GPIO[35]<br>CS0_1<br>MA[0]<br>—<br>CAN1RX<br>CAN4RX <sup>(11)</sup><br>EIRQ[6] | SIUL<br>DSPI_1<br>ADC<br>—<br>FlexCAN_1<br>FlexCAN_4<br>SIUL | I/O<br>I/O<br>O<br>—<br>I<br>I<br>I | S        | Tristate            | 49         | 77      | 116     | B11                    |
| PC[4]    | PCR[36] | AF0<br>AF1<br>AF2<br>AF3<br>—<br>—      | GPIO[36]<br>—<br>—<br>—<br>SIN_1<br>CAN3RX <sup>(11)</sup>                     | SIUL<br>—<br>—<br>—<br>DSPI_1<br>FlexCAN_3                   | I/O<br>—<br>—<br>—<br>I<br>I        | M        | Tristate            | 62         | 92      | 131     | B7                     |
| PC[5]    | PCR[37] | AF0<br>AF1<br>AF2<br>AF3<br>—           | GPIO[37]<br>SOUT_1<br>CAN3TX <sup>(11)</sup><br>—<br>EIRQ[7]                   | SIUL<br>DSPI1<br>FlexCAN_3<br>—<br>SIUL                      | I/O<br>O<br>O<br>—<br>I             | M        | Tristate            | 61         | 91      | 130     | A7                     |
| PC[6]    | PCR[38] | AF0<br>AF1<br>AF2<br>AF3                | GPIO[38]<br>LIN1TX<br>—<br>—   | SIUL<br>LINFlex_1<br>—<br>—                                  | I/O<br>O<br>—<br>—                  | S        | Tristate            | 16         | 25      | 36      | R2                     |
| PC[7]    | PCR[39] | AF0<br>AF1<br>AF2<br>AF3<br>—<br>—      | GPIO[39]<br>—<br>—<br>—<br>LIN1RX<br>WKPU[12] <sup>(4)</sup>                   | SIUL<br>—<br>—<br>—<br>LINFlex_1<br>WKPU                     | I/O<br>—<br>—<br>—<br>I<br>I        | S        | Tristate            | 17         | 26      | 37      | P3                     |



Table 6. Functional port pin descriptions (continued)

| Port pin | PCR     | Alternate function <sup>(1)</sup>       | Function  | Peripheral  | I/O direction <sup>(2)</sup>      | Pad type | RESET configuration | Pin number |         |         |                        |
|----------|---------|---|---|---|-----------------------------------|----------|---------------------|------------|---------|---------|------------------------|
|          |         |   |   |   |                                   |          |                     | LQFP64     | LQFP100 | LQFP144 | LBGA208 <sup>(3)</sup> |
| PC[8]    | PCR[40] | AF0<br>AF1<br>AF2<br>AF3                | GPIO[40]<br>LIN2TX<br>—<br>—  | SIUL<br>LINFlex_2<br>—<br>—                           | I/O<br>O<br>—<br>—                | S        | Tristate            | 63         | 99      | 143     | A1                     |
| PC[9]    | PCR[41] | AF0<br>AF1<br>AF2<br>AF3<br>—<br>—      | GPIO[41]<br>—<br>—<br>—<br>LIN2RX<br>WKPU[13] <sup>(4)</sup>                          | SIUL<br>—<br>—<br>—<br>LINFlex_2<br>WKPU              | I/O<br>—<br>—<br>—<br>I<br>I      | S        | Tristate            | 2          | 2       | 2       | B1                     |
| PC[10]   | PCR[42] | AF0<br>AF1<br>AF2<br>AF3                | GPIO[42]<br>CAN1TX<br>CAN4TX <sup>(11)</sup><br>MA[1]                                 | SIUL<br>FlexCAN_1<br>FlexCAN_4<br>ADC                 | I/O<br>O<br>O<br>O                | M        | Tristate            | 13         | 22      | 28      | M3                     |
| PC[11]   | PCR[43] | AF0<br>AF1<br>AF2<br>AF3<br>—<br>—<br>— | GPIO[43]<br>—<br>—<br>—<br>CAN1RX<br>CAN4RX <sup>(11)</sup><br>WKPU[5] <sup>(4)</sup> | SIUL<br>—<br>—<br>—<br>FlexCAN_1<br>FlexCAN_4<br>WKPU | I/O<br>—<br>—<br>—<br>I<br>I<br>I | S        | Tristate            | —          | 21      | 27      | M4                     |
| PC[12]   | PCR[44] | AF0<br>AF1<br>AF2<br>AF3<br>—           | GPIO[44]<br>E0UC[12]<br>—<br>—<br>SIN_2   | SIUL<br>eMIOS_0<br>—<br>—<br>DSPI_2                   | I/O<br>I/O<br>—<br>—<br>I         | M        | Tristate            | —          | 97      | 141     | B4                     |
| PC[13]   | PCR[45] | AF0<br>AF1<br>AF2<br>AF3                | GPIO[45]<br>E0UC[13]<br>SOUT_2<br>—   | SIUL<br>eMIOS_0<br>DSPI_2<br>—                        | I/O<br>I/O<br>O<br>—              | S        | Tristate            | —          | 98      | 142     | A2                     |
| PC[14]   | PCR[46] | AF0<br>AF1<br>AF2<br>AF3<br>—           | GPIO[46]<br>E0UC[14]<br>SCK_2<br>—<br>EIRQ[8]   | SIUL<br>eMIOS_0<br>DSPI_2<br>—<br>SIUL                | I/O<br>I/O<br>I/O<br>—<br>I       | S        | Tristate            | —          | 3       | 3       | C1                     |



Table 6. Functional port pin descriptions (continued)

| Port pin | PCR     | Alternate function <sup>(1)</sup> | Function                           | Peripheral                     | I/O direction <sup>(2)</sup> | Pad type | RESET configuration | Pin number |         |         |                        |
|----------|---------|-----------------------------------|------------------------------------|--------------------------------|------------------------------|----------|---------------------|------------|---------|---------|------------------------|
|          |         |                                   |                                    |                                |                              |          |                     | LQFP64     | LQFP100 | LQFP144 | LBGA208 <sup>(3)</sup> |
| PC[15]   | PCR[47] | AF0<br>AF1<br>AF2<br>AF3          | GPIO[47]<br>E0UC[15]<br>CS0_2<br>— | SIUL<br>eMIOS_0<br>DSPI_2<br>— | I/O<br>I/O<br>I/O<br>—       | M        | Tristate            | —          | 4       | 4       | D3                     |
| PD[0]    | PCR[48] | AF0<br>AF1<br>AF2<br>AF3<br>—     | GPIO[48]<br>—<br>—<br>—<br>GPI[4]  | SIUL<br>—<br>—<br>—<br>ADC     | I<br>—<br>—<br>—<br>I        | I        | Tristate            | —          | 41      | 63      | P12                    |
| PD[1]    | PCR[49] | AF0<br>AF1<br>AF2<br>AF3<br>—     | GPIO[49]<br>—<br>—<br>—<br>GPI[5]  | SIUL<br>—<br>—<br>—<br>ADC     | I<br>—<br>—<br>—<br>I        | I        | Tristate            | —          | 42      | 64      | T12                    |
| PD[2]    | PCR[50] | AF0<br>AF1<br>AF2<br>AF3<br>—     | GPIO[50]<br>—<br>—<br>—<br>GPI[6]  | SIUL<br>—<br>—<br>—<br>ADC     | I<br>—<br>—<br>—<br>I        | I        | Tristate            | —          | 43      | 65      | R12                    |
| PD[3]    | PCR[51] | AF0<br>AF1<br>AF2<br>AF3<br>—     | GPIO[51]<br>—<br>—<br>—<br>GPI[7]  | SIUL<br>—<br>—<br>—<br>ADC     | I<br>—<br>—<br>—<br>I        | I        | Tristate            | —          | 44      | 66      | P13                    |
| PD[4]    | PCR[52] | AF0<br>AF1<br>AF2<br>AF3<br>—     | GPIO[52]<br>—<br>—<br>—<br>GPI[8]  | SIUL<br>—<br>—<br>—<br>ADC     | I<br>—<br>—<br>—<br>I        | I        | Tristate            | —          | 45      | 67      | R13                    |
| PD[5]    | PCR[53] | AF0<br>AF1<br>AF2<br>AF3<br>—     | GPIO[53]<br>—<br>—<br>—<br>GPI[9]  | SIUL<br>—<br>—<br>—<br>ADC     | I<br>—<br>—<br>—<br>I        | I        | Tristate            | —          | 46      | 68      | T13                    |

Table 6. Functional port pin descriptions (continued)

| Port pin              | PCR     | Alternate function <sup>(1)</sup> | Function                                     | Peripheral                            | I/O direction <sup>(2)</sup> | Pad type | RESET configuration | Pin number |         |         |                        |
|-----------------------|---------|-----------------------------------|--|---------------------------------------|------------------------------|----------|---------------------|------------|---------|---------|------------------------|
|                       |         |                                   |  |                                       |                              |          |                     | LQFP64     | LQFP100 | LQFP144 | LPGA208 <sup>(3)</sup> |
| PD[6]                 | PCR[54] | AF0<br>AF1<br>AF2<br>AF3<br>—     | GPIO[54]<br>—<br>—<br>—<br>GPI[10]           | SIUL<br>—<br>—<br>—<br>ADC            | I<br>—<br>—<br>—<br>I        | I        | Tristate            | —          | 47      | 69      | T14                    |
| PD[7]                 | PCR[55] | AF0<br>AF1<br>AF2<br>AF3<br>—     | GPIO[55]<br>—<br>—<br>—<br>GPI[11]           | SIUL<br>—<br>—<br>—<br>ADC            | I<br>—<br>—<br>—<br>I        | I        | Tristate            | —          | 48      | 70      | R14                    |
| PD[8]                 | PCR[56] | AF0<br>AF1<br>AF2<br>AF3<br>—     | GPIO[56]<br>—<br>—<br>—<br>GPI[12]           | SIUL<br>—<br>—<br>—<br>ADC            | I<br>—<br>—<br>—<br>I        | I        | Tristate            | —          | 49      | 71      | T15                    |
| PD[9]                 | PCR[57] | AF0<br>AF1<br>AF2<br>AF3<br>—     | GPIO[57]<br>—<br>—<br>—<br>GPI[13]           | SIUL<br>—<br>—<br>—<br>ADC            | I<br>—<br>—<br>—<br>I        | I        | Tristate            | —          | 56      | 78      | N15                    |
| PD[10]                | PCR[58] | AF0<br>AF1<br>AF2<br>AF3<br>—     | GPIO[58]<br>—<br>—<br>—<br>GPI[14]           | SIUL<br>—<br>—<br>—<br>ADC            | I<br>—<br>—<br>—<br>I        | I        | Tristate            | —          | 57      | 79      | N14                    |
| PD[11]                | PCR[59] | AF0<br>AF1<br>AF2<br>AF3<br>—     | GPIO[59]<br>—<br>—<br>—<br>GPI[15]           | SIUL<br>—<br>—<br>—<br>ADC            | I<br>—<br>—<br>—<br>I        | I        | Tristate            | —          | 58      | 80      | N16                    |
| PD[12] <sup>(8)</sup> | PCR[60] | AF0<br>AF1<br>AF2<br>AF3<br>—     | GPIO[60]<br>CS5_0<br>E0UC[24]<br>—<br>ANS[4] | SIUL<br>DSPI_0<br>eMIOS_0<br>—<br>ADC | I/O<br>O<br>I/O<br>—<br>I    | J        | Tristate            | —          | 60      | 82      | M15                    |



Table 6. Functional port pin descriptions (continued)

| Port pin | PCR     | Alternate function <sup>(1)</sup>  | Function   | Peripheral                                     | I/O direction <sup>(2)</sup>   | Pad type | RESET configuration | Pin number |         |         |                        |
|----------|---------|------------------------------------|--|--|--------------------------------|----------|---------------------|------------|---------|---------|------------------------|
|          |         |                                    |  |  |                                |          |                     | LQFP64     | LQFP100 | LQFP144 | LBGA208 <sup>(3)</sup> |
| PD[13]   | PCR[61] | AF0<br>AF1<br>AF2<br>AF3<br>—      | GPIO[61]<br>CS0_1<br>E0UC[25]<br>—<br>ANS[5]                                       | SIUL<br>DSPI_1<br>eMIOS_0<br>—<br>ADC          | I/O<br>I/O<br>I/O<br>—<br>I    | J        | Tristate            | —          | 62      | 84      | M14                    |
| PD[14]   | PCR[62] | AF0<br>AF1<br>AF2<br>AF3<br>—      | GPIO[62]<br>CS1_1<br>E0UC[26]<br>—<br>ANS[6]                                       | SIUL<br>DSPI_1<br>eMIOS_0<br>—<br>ADC          | I/O<br>O<br>I/O<br>—<br>I      | J        | Tristate            | —          | 64      | 86      | L15                    |
| PD[15]   | PCR[63] | AF0<br>AF1<br>AF2<br>AF3<br>—      | GPIO[63]<br>CS2_1<br>E0UC[27]<br>—<br>ANS[7]                                       | SIUL<br>DSPI_1<br>eMIOS_0<br>—<br>ADC          | I/O<br>O<br>I/O<br>—<br>I      | J        | Tristate            | —          | 66      | 88      | L14                    |
| PE[0]    | PCR[64] | AF0<br>AF1<br>AF2<br>AF3<br>—<br>— | GPIO[64]<br>E0UC[16]<br>—<br>—<br>CAN5RX <sup>(11)</sup><br>WKPU[6] <sup>(4)</sup> | SIUL<br>eMIOS_0<br>—<br>—<br>FlexCAN_5<br>WKPU | I/O<br>I/O<br>—<br>—<br>I<br>I | S        | Tristate            | —          | 6       | 10      | F1                     |
| PE[1]    | PCR[65] | AF0<br>AF1<br>AF2<br>AF3           | GPIO[65]<br>E0UC[17]<br>CAN5TX <sup>(11)</sup><br>—                                | SIUL<br>eMIOS_0<br>FlexCAN_5<br>—              | I/O<br>I/O<br>O<br>—           | M        | Tristate            | —          | 8       | 12      | F4                     |
| PE[2]    | PCR[66] | AF0<br>AF1<br>AF2<br>AF3<br>—      | GPIO[66]<br>E0UC[18]<br>—<br>—<br>SIN_1  | SIUL<br>eMIOS_0<br>—<br>—<br>DSPI_1            | I/O<br>I/O<br>—<br>—<br>I      | M        | Tristate            | —          | 89      | 128     | D7                     |
| PE[3]    | PCR[67] | AF0<br>AF1<br>AF2<br>AF3           | GPIO[67]<br>E0UC[19]<br>SOUT_1<br>—  | SIUL<br>eMIOS_0<br>DSPI_1<br>—                 | I/O<br>I/O<br>O<br>—           | M        | Tristate            | —          | 90      | 129     | C7                     |

Table 6. Functional port pin descriptions (continued)

| Port pin | PCR     | Alternate function <sup>(1)</sup>       | Function   | Peripheral  | I/O direction <sup>(2)</sup>        | Pad type | RESET configuration | Pin number |         |         |                        |
|----------|---------|---|--|---|-------------------------------------|----------|---------------------|------------|---------|---------|------------------------|
|          |         |   |  |   |                                     |          |                     | LQFP64     | LQFP100 | LQFP144 | LBGA208 <sup>(3)</sup> |
| PE[4]    | PCR[68] | AF0<br>AF1<br>AF2<br>AF3<br>—           | GPIO[68]<br>E0UC[20]<br>SCK_1<br>—<br>EIRQ[9]  | SIUL<br>eMIOS_0<br>DSPI_1<br>—<br>SIUL                      | I/O<br>I/O<br>I/O<br>—<br>I         | M        | Tristate            | —          | 93      | 132     | D6                     |
| PE[5]    | PCR[69] | AF0<br>AF1<br>AF2<br>AF3                | GPIO[69]<br>E0UC[21]<br>CS0_1<br>MA[2]   | SIUL<br>eMIOS_0<br>DSPI_1<br>ADC                            | I/O<br>I/O<br>I/O<br>O              | M        | Tristate            | —          | 94      | 133     | C6                     |
| PE[6]    | PCR[70] | AF0<br>AF1<br>AF2<br>AF3                | GPIO[70]<br>E0UC[22]<br>CS3_0<br>MA[1]   | SIUL<br>eMIOS_0<br>DSPI_0<br>ADC                            | I/O<br>I/O<br>O<br>O                | M        | Tristate            | —          | 95      | 139     | B5                     |
| PE[7]    | PCR[71] | AF0<br>AF1<br>AF2<br>AF3                | GPIO[71]<br>E0UC[23]<br>CS2_0<br>MA[0]   | SIUL<br>eMIOS_0<br>DSPI_0<br>ADC                            | I/O<br>I/O<br>O<br>O                | M        | Tristate            | —          | 96      | 140     | C4                     |
| PE[8]    | PCR[72] | AF0<br>AF1<br>AF2<br>AF3                | GPIO[72]<br>CAN2TX <sup>(12)</sup><br>E0UC[22]<br>CAN3TX <sup>(11)</sup>                                     | SIUL<br>FlexCAN_2<br>eMIOS_0<br>FlexCAN_3                   | I/O<br>O<br>I/O<br>O                | M        | Tristate            | —          | 9       | 13      | G2                     |
| PE[9]    | PCR[73] | AF0<br>AF1<br>AF2<br>AF3<br>—<br>—<br>— | GPIO[73]<br>—<br>E0UC[23]<br>—<br>WKPU[7] <sup>(4)</sup><br>CAN2RX <sup>(12)</sup><br>CAN3RX <sup>(11)</sup> | SIUL<br>—<br>eMIOS_0<br>—<br>WKPU<br>FlexCAN_2<br>FlexCAN_3 | I/O<br>—<br>I/O<br>—<br>I<br>I<br>I | S        | Tristate            | —          | 10      | 14      | G1                     |
| PE[10]   | PCR[74] | AF0<br>AF1<br>AF2<br>AF3<br>—           | GPIO[74]<br>LIN3TX<br>CS3_1<br>—<br>EIRQ[10]   | SIUL<br>LINFlex_3<br>DSPI_1<br>—<br>SIUL                    | I/O<br>O<br>O<br>—<br>I             | S        | Tristate            | —          | 11      | 15      | G3                     |

Table 6. Functional port pin descriptions (continued)

| Port pin | PCR     | Alternate function <sup>(1)</sup>  | Function  | Peripheral                                    | I/O direction <sup>(2)</sup>   | Pad type | RESET configuration | Pin number |         |         |                        |
|----------|---------|------------------------------------|---|---|--------------------------------|----------|---------------------|------------|---------|---------|------------------------|
|          |         |                                    |   |   |                                |          |                     | LQFP64     | LQFP100 | LQFP144 | LBGA208 <sup>(3)</sup> |
| PE[11]   | PCR[75] | AF0<br>AF1<br>AF2<br>AF3<br>—<br>— | GPIO[75]<br>—<br>CS4_1<br>—<br>LIN3RX<br>WKPU[14] <sup>(4)</sup>    | SIUL<br>—<br>DSPI_1<br>—<br>LINFlex_3<br>WKPU | I/O<br>—<br>O<br>—<br>I<br>I   | S        | Tristate            | —          | 13      | 17      | H2                     |
| PE[12]   | PCR[76] | AF0<br>AF1<br>AF2<br>AF3<br>—<br>— | GPIO[76]<br>—<br>E1UC[19] <sup>(13)</sup><br>—<br>SIN_2<br>EIRQ[11] | SIUL<br>—<br>eMIOS_1<br>—<br>DSPI_2<br>SIUL   | I/O<br>—<br>I/O<br>—<br>I<br>I | S        | Tristate            | —          | 76      | 109     | C14                    |
| PE[13]   | PCR[77] | AF0<br>AF1<br>AF2<br>AF3           | GPIO[77]<br>SOUT2<br>E1UC[20]<br>—                                  | SIUL<br>DSPI_2<br>eMIOS_1<br>—                | I/O<br>O<br>I/O<br>—           | S        | Tristate            | —          | —       | 103     | D15                    |
| PE[14]   | PCR[78] | AF0<br>AF1<br>AF2<br>AF3<br>—      | GPIO[78]<br>SCK_2<br>E1UC[21]<br>—<br>EIRQ[12]                      | SIUL<br>DSPI_2<br>eMIOS_1<br>—<br>SIUL        | I/O<br>I/O<br>I/O<br>—<br>I    | S        | Tristate            | —          | —       | 112     | C13                    |
| PE[15]   | PCR[79] | AF0<br>AF1<br>AF2<br>AF3           | GPIO[79]<br>CS0_2<br>E1UC[22]<br>—                                  | SIUL<br>DSPI_2<br>eMIOS_1<br>—                | I/O<br>I/O<br>I/O<br>—         | M        | Tristate            | —          | —       | 113     | A13                    |
| PF[0]    | PCR[80] | AF0<br>AF1<br>AF2<br>AF3<br>—      | GPIO[80]<br>E0UC[10]<br>CS3_1<br>—<br>ANS[8]                        | SIUL<br>eMIOS_0<br>DSPI_1<br>—<br>ADC         | I/O<br>I/O<br>O<br>—<br>I      | J        | Tristate            | —          | —       | 55      | N10                    |
| PF[1]    | PCR[81] | AF0<br>AF1<br>AF2<br>AF3<br>—      | GPIO[81]<br>E0UC[11]<br>CS4_1<br>—<br>ANS[9]                        | SIUL<br>eMIOS_0<br>DSPI_1<br>—<br>I           | I/O<br>I/O<br>O<br>—<br>I      | J        | Tristate            | —          | —       | 56      | P10                    |



Table 6. Functional port pin descriptions (continued)

| Port pin | PCR     | Alternate function <sup>(1)</sup> | Function  | Peripheral                               | I/O direction <sup>(2)</sup> | Pad type | RESET configuration | Pin number |         |         |                        |
|----------|---------|-----------------------------------|---|--|------------------------------|----------|---------------------|------------|---------|---------|------------------------|
|          |         |                                   |   |  |                              |          |                     | LQFP64     | LQFP100 | LQFP144 | LBGA208 <sup>(3)</sup> |
| PF[2]    | PCR[82] | AF0<br>AF1<br>AF2<br>AF3<br>—     | GPIO[82]<br>E0UC[12]<br>CS0_2<br>—<br>ANS[10]                         | SIUL<br>eMIOS_0<br>DSPI_2<br>—<br>ADC    | I/O<br>I/O<br>I/O<br>—<br>I  | J        | Tristate            | —          | —       | 57      | T10                    |
| PF[3]    | PCR[83] | AF0<br>AF1<br>AF2<br>AF3<br>—     | GPIO[83]<br>E0UC[13]<br>CS1_2<br>—<br>ANS[11]                         | SIUL<br>eMIOS_0<br>DSPI_2<br>—<br>ADC    | I/O<br>I/O<br>O<br>—<br>I    | J        | Tristate            | —          | —       | 58      | R10                    |
| PF[4]    | PCR[84] | AF0<br>AF1<br>AF2<br>AF3<br>—     | GPIO[84]<br>E0UC[14]<br>CS2_2<br>—<br>ANS[12]                         | SIUL<br>eMIOS_0<br>DSPI_2<br>—<br>ADC    | I/O<br>I/O<br>O<br>—<br>I    | J        | Tristate            | —          | —       | 59      | N11                    |
| PF[5]    | PCR[85] | AF0<br>AF1<br>AF2<br>AF3<br>—     | GPIO[85]<br>E0UC[22]<br>CS3_2<br>—<br>ANS[13]                         | SIUL<br>eMIOS_0<br>DSPI_2<br>—<br>ADC    | I/O<br>I/O<br>O<br>—<br>I    | J        | Tristate            | —          | —       | 60      | P11                    |
| PF[6]    | PCR[86] | AF0<br>AF1<br>AF2<br>AF3<br>—     | GPIO[86]<br>E0UC[23]<br>—<br>—<br>ANS[14]                             | SIUL<br>eMIOS_0<br>—<br>—<br>ADC         | I/O<br>I/O<br>—<br>—<br>I    | J        | Tristate            | —          | —       | 61      | T11                    |
| PF[7]    | PCR[87] | AF0<br>AF1<br>AF2<br>AF3<br>—     | GPIO[87]<br>—<br>—<br>—<br>ANS[15]                                    | SIUL<br>—<br>—<br>—<br>ADC               | I/O<br>—<br>—<br>—<br>I      | J        | Tristate            | —          | —       | 62      | R11                    |
| PF[8]    | PCR[88] | AF0<br>AF1<br>AF2<br>AF3          | GPIO[88]<br>CAN3TX <sup>(14)</sup><br>CS4_0<br>CAN2TX <sup>(15)</sup> | SIUL<br>FlexCAN_3<br>DSPI_0<br>FlexCAN_2 | I/O<br>O<br>O<br>O           | M        | Tristate            | —          | —       | 34      | P1                     |

Table 6. Functional port pin descriptions (continued)

| Port pin | PCR                    | Alternate function <sup>(1)</sup> | Function                | Peripheral | I/O direction <sup>(2)</sup> | Pad type | RESET configuration | Pin number |         |         |                        |
|----------|------------------------|-----------------------------------|-------------------------|------------|------------------------------|----------|---------------------|------------|---------|---------|------------------------|
|          |                        |                                   |                         |            |                              |          |                     | LQFP64     | LQFP100 | LQFP144 | LBGA208 <sup>(3)</sup> |
| PF[9]    | PCR[89]                | AF0                               | GPIO[89]                | SIUL       | I/O                          | S        | Tristate            | —          | —       | 33      | N2                     |
|          |                        | AF1                               | —                       | —          | —                            |          |                     |            |         |         |                        |
|          |                        | AF2                               | CS5_0                   | DSPI_0     | O                            |          |                     |            |         |         |                        |
|          |                        | AF3                               | —                       | —          | —                            |          |                     |            |         |         |                        |
|          |                        | —                                 | CAN2RX <sup>(15)</sup>  | FlexCAN_2  | I                            |          |                     |            |         |         |                        |
| —        | CAN3RX <sup>(14)</sup> | FlexCAN_3                         | I                       |            |                              |          |                     |            |         |         |                        |
| PF[10]   | PCR[90]                | AF0                               | GPIO[90]                | SIUL       | I/O                          | M        | Tristate            | —          | —       | 38      | R3                     |
|          |                        | AF1                               | —                       | —          | —                            |          |                     |            |         |         |                        |
|          |                        | AF2                               | —                       | —          | —                            |          |                     |            |         |         |                        |
|          |                        | AF3                               | —                       | —          | —                            |          |                     |            |         |         |                        |
| PF[11]   | PCR[91]                | AF0                               | GPIO[91]                | SIUL       | I/O                          | S        | Tristate            | —          | —       | 39      | R4                     |
|          |                        | AF1                               | —                       | —          | —                            |          |                     |            |         |         |                        |
|          |                        | AF2                               | —                       | —          | —                            |          |                     |            |         |         |                        |
|          |                        | AF3                               | —                       | —          | —                            |          |                     |            |         |         |                        |
|          |                        | —                                 | WKPU[15] <sup>(4)</sup> | WKPU       | I                            |          |                     |            |         |         |                        |
| PF[12]   | PCR[92]                | AF0                               | GPIO[92]                | SIUL       | I/O                          | M        | Tristate            | —          | —       | 35      | R1                     |
|          |                        | AF1                               | E1UC[25]                | eMIOS_1    | I/O                          |          |                     |            |         |         |                        |
|          |                        | AF2                               | —                       | —          | —                            |          |                     |            |         |         |                        |
|          |                        | AF3                               | —                       | —          | —                            |          |                     |            |         |         |                        |
| PF[13]   | PCR[93]                | AF0                               | GPIO[93]                | SIUL       | I/O                          | S        | Tristate            | —          | —       | 41      | T6                     |
|          |                        | AF1                               | E1UC[26]                | eMIOS_1    | I/O                          |          |                     |            |         |         |                        |
|          |                        | AF2                               | —                       | —          | —                            |          |                     |            |         |         |                        |
|          |                        | AF3                               | —                       | —          | —                            |          |                     |            |         |         |                        |
|          |                        | —                                 | WKPU[16] <sup>(4)</sup> | WKPU       | I                            |          |                     |            |         |         |                        |
| PF[14]   | PCR[94]                | AF0                               | GPIO[94]                | SIUL       | I/O                          | M        | Tristate            | —          | —       | 102     | D14                    |
|          |                        | AF1                               | CAN4TX <sup>(11)</sup>  | FlexCAN_4  | O                            |          |                     |            |         |         |                        |
|          |                        | AF2                               | E1UC[27]                | eMIOS_1    | I/O                          |          |                     |            |         |         |                        |
|          |                        | AF3                               | CAN1TX                  | FlexCAN_4  | O                            |          |                     |            |         |         |                        |
| PF[15]   | PCR[95]                | AF0                               | GPIO[95]                | SIUL       | I/O                          | S        | Tristate            | —          | —       | 101     | E15                    |
|          |                        | AF1                               | —                       | —          | —                            |          |                     |            |         |         |                        |
|          |                        | AF2                               | —                       | —          | —                            |          |                     |            |         |         |                        |
|          |                        | AF3                               | —                       | —          | —                            |          |                     |            |         |         |                        |
|          |                        | —                                 | CAN1RX                  | FlexCAN_1  | I                            |          |                     |            |         |         |                        |
|          |                        | —                                 | CAN4RX <sup>(11)</sup>  | FlexCAN_4  | I                            |          |                     |            |         |         |                        |
|          |                        | —                                 | EIRQ[13]                | SIUL       | I                            |          |                     |            |         |         |                        |

Table 6. Functional port pin descriptions (continued)

| Port pin | PCR      | Alternate function <sup>(1)</sup>  | Function   | Peripheral                                     | I/O direction <sup>(2)</sup>   | Pad type | RESET configuration | Pin number |         |         |                        |
|----------|----------|------------------------------------|--|--|--------------------------------|----------|---------------------|------------|---------|---------|------------------------|
|          |          |                                    |  |  |                                |          |                     | LQFP64     | LQFP100 | LQFP144 | LBGA208 <sup>(3)</sup> |
| PG[0]    | PCR[96]  | AF0<br>AF1<br>AF2<br>AF3           | GPIO[96]<br>CAN5TX <sup>(11)</sup><br>E1UC[23]<br>—                  | SIUL<br>FlexCAN_5<br>eMIOS_1<br>—              | I/O<br>O<br>I/O<br>—           | M        | Tristate            | —          | —       | 98      | E14                    |
| PG[1]    | PCR[97]  | AF0<br>AF1<br>AF2<br>AF3<br>—<br>— | GPIO[97]<br>—<br>E1UC[24]<br>—<br>CAN5RX <sup>(11)</sup><br>EIRQ[14] | SIUL<br>—<br>eMIOS_1<br>—<br>FlexCAN_5<br>SIUL | I/O<br>—<br>I/O<br>—<br>I<br>I | S        | Tristate            | —          | —       | 97      | E13                    |
| PG[2]    | PCR[98]  | AF0<br>AF1<br>AF2<br>AF3           | GPIO[98]<br>E1UC[11]<br>—<br>—                                       | SIUL<br>eMIOS_1<br>—<br>—                      | I/O<br>I/O<br>—<br>—           | M        | Tristate            | —          | —       | 8       | E4                     |
| PG[3]    | PCR[99]  | AF0<br>AF1<br>AF2<br>AF3<br>—      | GPIO[99]<br>E1UC[12]<br>—<br>—<br>WKPU[17] <sup>(4)</sup>            | SIUL<br>eMIOS_1<br>—<br>—<br>WKPU              | I/O<br>I/O<br>—<br>—<br>I      | S        | Tristate            | —          | —       | 7       | E3                     |
| PG[4]    | PCR[100] | AF0<br>AF1<br>AF2<br>AF3           | GPIO[100]<br>E1UC[13]<br>—<br>—                                      | SIUL<br>eMIOS_1<br>—<br>—                      | I/O<br>I/O<br>—<br>—           | M        | Tristate            | —          | —       | 6       | E1                     |
| PG[5]    | PCR[101] | AF0<br>AF1<br>AF2<br>AF3<br>—      | GPIO[101]<br>E1UC[14]<br>—<br>—<br>WKPU[18] <sup>(4)</sup>           | SIUL<br>eMIOS_1<br>—<br>—<br>WKPU              | I/O<br>I/O<br>—<br>—<br>I      | S        | Tristate            | —          | —       | 5       | E2                     |
| PG[6]    | PCR[102] | AF0<br>AF1<br>AF2<br>AF3           | GPIO[102]<br>E1UC[15]<br>—<br>—                                      | SIUL<br>eMIOS_1<br>—<br>—                      | I/O<br>I/O<br>—<br>—           | M        | Tristate            | —          | —       | 30      | M2                     |

Table 6. Functional port pin descriptions (continued)

| Port pin | PCR      | Alternate function <sup>(1)</sup> | Function  | Peripheral                             | I/O direction <sup>(2)</sup> | Pad type | RESET configuration | Pin number |         |         |                        |
|----------|----------|-----------------------------------|---|--|------------------------------|----------|---------------------|------------|---------|---------|------------------------|
|          |          |                                   |   |  |                              |          |                     | LQFP64     | LQFP100 | LQFP144 | LBGA208 <sup>(3)</sup> |
| PG[7]    | PCR[103] | AF0<br>AF1<br>AF2<br>AF3          | GPIO[103]<br>E1UC[16]<br>—<br>—                 | SIUL<br>eMIOS_1<br>—<br>—              | I/O<br>I/O<br>—<br>—         | M        | Tristate            | —          | —       | 29      | M1                     |
| PG[8]    | PCR[104] | AF0<br>AF1<br>AF2<br>AF3<br>—     | GPIO[104]<br>E1UC[17]<br>—<br>CS0_2<br>EIRQ[15] | SIUL<br>eMIOS_1<br>—<br>DSPI_2<br>SIUL | I/O<br>I/O<br>—<br>I/O<br>I  | S        | Tristate            | —          | —       | 26      | L2                     |
| PG[9]    | PCR[105] | AF0<br>AF1<br>AF2<br>AF3          | GPIO[105]<br>E1UC[18]<br>—<br>SCK_2             | SIUL<br>eMIOS_1<br>—<br>DSPI_2         | I/O<br>I/O<br>—<br>I/O       | S        | Tristate            | —          | —       | 25      | L1                     |
| PG[10]   | PCR[106] | AF0<br>AF1<br>AF2<br>AF3          | GPIO[106]<br>E0UC[24]<br>—<br>—                 | SIUL<br>eMIOS_0<br>—<br>—              | I/O<br>I/O<br>—<br>—         | S        | Tristate            | —          | —       | 114     | D13                    |
| PG[11]   | PCR[107] | AF0<br>AF1<br>AF2<br>AF3          | GPIO[107]<br>E0UC[25]<br>—<br>—                 | SIUL<br>eMIOS_0<br>—<br>—              | I/O<br>I/O<br>—<br>—         | M        | Tristate            | —          | —       | 115     | B12                    |
| PG[12]   | PCR[108] | AF0<br>AF1<br>AF2<br>AF3          | GPIO[108]<br>E0UC[26]<br>—<br>—                 | SIUL<br>eMIOS_0<br>—<br>—              | I/O<br>I/O<br>—<br>—         | M        | Tristate            | —          | —       | 92      | K14                    |
| PG[13]   | PCR[109] | AF0<br>AF1<br>AF2<br>AF3          | GPIO[109]<br>E0UC[27]<br>—<br>—                 | SIUL<br>eMIOS_0<br>—<br>—              | I/O<br>I/O<br>—<br>—         | M        | Tristate            | —          | —       | 91      | K16                    |
| PG[14]   | PCR[110] | AF0<br>AF1<br>AF2<br>AF3          | GPIO[110]<br>E1UC[0]<br>—<br>—                  | SIUL<br>eMIOS_1<br>—<br>—              | I/O<br>I/O<br>—<br>—         | S        | Tristate            | —          | —       | 110     | B14                    |

Table 6. Functional port pin descriptions (continued)

| Port pin | PCR      | Alternate function <sup>(1)</sup> | Function                               | Peripheral                          | I/O direction <sup>(2)</sup> | Pad type | RESET configuration | Pin number |         |         |                        |
|----------|----------|-----------------------------------|--|-------------------------------------|------------------------------|----------|---------------------|------------|---------|---------|------------------------|
|          |          |                                   |  |                                     |                              |          |                     | LQFP64     | LQFP100 | LQFP144 | LBGA208 <sup>(3)</sup> |
| PG[15]   | PCR[111] | AF0<br>AF1<br>AF2<br>AF3          | GPIO[111]<br>E1UC[1]<br>—<br>—         | SIUL<br>eMIOS_1<br>—<br>—           | I/O<br>I/O<br>—<br>—         | M        | Tristate            | —          | —       | 111     | B13                    |
| PH[0]    | PCR[112] | AF0<br>AF1<br>AF2<br>AF3<br>—     | GPIO[112]<br>E1UC[2]<br>—<br>—<br>SIN1 | SIUL<br>eMIOS_1<br>—<br>—<br>DSPI_1 | I/O<br>I/O<br>—<br>—<br>I    | M        | Tristate            | —          | —       | 93      | F13                    |
| PH[1]    | PCR[113] | AF0<br>AF1<br>AF2<br>AF3          | GPIO[113]<br>E1UC[3]<br>SOUT1<br>—     | SIUL<br>eMIOS_1<br>DSPI_1<br>—      | I/O<br>I/O<br>O<br>—         | M        | Tristate            | —          | —       | 94      | F14                    |
| PH[2]    | PCR[114] | AF0<br>AF1<br>AF2<br>AF3          | GPIO[114]<br>E1UC[4]<br>SCK_1<br>—     | SIUL<br>eMIOS_1<br>DSPI_1<br>—      | I/O<br>I/O<br>I/O<br>—       | M        | Tristate            | —          | —       | 95      | F16                    |
| PH[3]    | PCR[115] | AF0<br>AF1<br>AF2<br>AF3          | GPIO[115]<br>E1UC[5]<br>CS0_1<br>—     | SIUL<br>eMIOS_1<br>DSPI_1<br>—      | I/O<br>I/O<br>I/O<br>—       | M        | Tristate            | —          | —       | 96      | F15                    |
| PH[4]    | PCR[116] | AF0<br>AF1<br>AF2<br>AF3          | GPIO[116]<br>E1UC[6]<br>—<br>—         | SIUL<br>eMIOS_1<br>—<br>—           | I/O<br>I/O<br>—<br>—         | M        | Tristate            | —          | —       | 134     | A6                     |
| PH[5]    | PCR[117] | AF0<br>AF1<br>AF2<br>AF3          | GPIO[117]<br>E1UC[7]<br>—<br>—         | SIUL<br>eMIOS_1<br>—<br>—           | I/O<br>I/O<br>—<br>—         | S        | Tristate            | —          | —       | 135     | B6                     |
| PH[6]    | PCR[118] | AF0<br>AF1<br>AF2<br>AF3          | GPIO[118]<br>E1UC[8]<br>—<br>MA[2]     | SIUL<br>eMIOS_1<br>—<br>ADC         | I/O<br>I/O<br>—<br>O         | M        | Tristate            | —          | —       | 136     | D5                     |

Table 6. Functional port pin descriptions (continued)

| Port pin              | PCR      | Alternate function <sup>(1)</sup> | Function                                | Peripheral                       | I/O direction <sup>(2)</sup> | Pad type | RESET configuration | Pin number |         |         |                        |
|-----------------------|----------|-----------------------------------|---|----------------------------------|------------------------------|----------|---------------------|------------|---------|---------|------------------------|
|                       |          |                                   |   |                                  |                              |          |                     | LQFP64     | LQFP100 | LQFP144 | LBGA208 <sup>(3)</sup> |
| PH[7]                 | PCR[119] | AF0<br>AF1<br>AF2<br>AF3          | GPIO[119]<br>E1UC[9]<br>CS3_2<br>MA[1]  | SIUL<br>eMIOS_1<br>DSPI_2<br>ADC | I/O<br>I/O<br>O<br>O         | M        | Tristate            | —          | —       | 137     | C5                     |
| PH[8]                 | PCR[120] | AF0<br>AF1<br>AF2<br>AF3          | GPIO[120]<br>E1UC[10]<br>CS2_2<br>MA[0] | SIUL<br>eMIOS_1<br>DSPI_2<br>ADC | I/O<br>I/O<br>O<br>O         | M        | Tristate            | —          | —       | 138     | A5                     |
| PH[9] <sup>(9)</sup>  | PCR[121] | AF0<br>AF1<br>AF2<br>AF3          | GPIO[121]<br>—<br>TCK<br>—              | SIUL<br>—<br>JTAGC<br>—          | I/O<br>—<br>I<br>—           | S        | Input, weak pull-up | 60         | 88      | 127     | B8                     |
| PH[10] <sup>(9)</sup> | PCR[122] | AF0<br>AF1<br>AF2<br>AF3          | GPIO[122]<br>—<br>TMS<br>—              | SIUL<br>—<br>JTAGC<br>—          | I/O<br>—<br>I<br>—           | S        | Input, weak pull-up | 53         | 81      | 120     | B9                     |

1. Alternate functions are chosen by setting the values of the PCR.PA bitfields inside the SIUL module. PCR.PA = 00 → AF0; PCR.PA = 01 → AF1; PCR.PA = 10 → AF2; PCR.PA = 11 → AF3. This is intended to select the output functions; to use one of the input functions, the PCR.IBE bit must be written to '1', regardless of the values selected in the PCR.PA bitfields. For this reason, the value corresponding to an input only function is reported as "—".
2. Multiple inputs are routed to all respective modules internally. The input of some modules must be configured by setting the values of the PSMIO.PADSELx bitfields inside the SIUL module.
3. LBGA208 available only as development package for Nexus2+
4. All WKPU pins also support external interrupt capability. See wakeup unit chapter for further details.
5. NMI has higher priority than alternate function. When NMI is selected, the PCR.AF field is ignored.
6. "Not applicable" because these functions are available only while the device is booting. Refer to BAM chapter of the reference manual for details.
7. Value of PCR.IBE bit must be 0
8. Be aware that this pad is used on the SPC560B64L3 and SPC560B64L5 to provide VDD\_HV\_ADC and VSS\_HV\_ADC1. Therefore, you should be careful in ensuring compatibility between SPC560B40x/50x and SPC560C40x/50x and SPC560B64.
9. Out of reset all the functional pins except PC[0:1] and PH[9:10] are available to the user as GPIO. PC[0:1] are available as JTAG pins (TDI and TDO respectively). PH[9:10] are available as JTAG pins (TCK and TMS respectively). If the user configures these JTAG pins in GPIO mode the device is no longer compliant with IEEE 1149.1-2001.
10. The TDO pad has been moved into the STANDBY domain in order to allow low-power debug handshaking in STANDBY mode. However, no pull-resistor is active on the TDO pad while in STANDBY mode. At this time the pad is configured as an input. When no debugger is connected the TDO pad is floating causing additional current consumption. To avoid the extra consumption TDO must be connected. An external pull-up resistor in the range of 47–100 kΩ should be added between the TDO pin and VDD\_HV. Only in case the TDO pin is used as application pin and a pull-up cannot be used then a pull-down resistor with the same value should be used between TDO pin and GND instead.



11. Available only on SPC560Cx versions and SPC560B50B2 devices
12. Not available on SPC560B40L3 and SPC560B40L5 devices
13. Not available in 100 LQFP package
14. Available only on SPC560B50B2 devices
15. Not available on SPC560B44L3 devices

### 3.7 Nexus 2+ pins

In the LBG208 package, eight additional debug pins are available (see [Table 7](#)).

**Table 7. Nexus 2+ pin descriptions**

| Debug pin | Function              | I/O direction | Pad type | Function after reset | Pin number |          |                         |
|-----------|-----------------------|---------------|----------|----------------------|------------|----------|-------------------------|
|           |                       |               |          |                      | LQFP 100   | LQFP 144 | LBGA 208 <sup>(1)</sup> |
| MCKO      | Message clock out     | O             | F        | —                    | —          | —        | T4                      |
| MDO0      | Message data out 0    | O             | M        | —                    | —          | —        | H15                     |
| MDO1      | Message data out 1    | O             | M        | —                    | —          | —        | H16                     |
| MDO2      | Message data out 2    | O             | M        | —                    | —          | —        | H14                     |
| MDO3      | Message data out 3    | O             | M        | —                    | —          | —        | H13                     |
| EVTI      | Event in              | I             | M        | Pull-up              | —          | —        | K1                      |
| EVTO      | Event out             | O             | M        | —                    | —          | —        | L4                      |
| MSEO      | Message start/end out | O             | M        | —                    | —          | —        | G16                     |

1. LBG208 available only as development package for Nexus2+.

### 3.8 Electrical characteristics

### 3.9 Introduction

This section contains electrical characteristics of the device as well as temperature and power considerations.

This product contains devices to protect the inputs against damage due to high static voltages. However, it is advisable to take precautions to avoid applying any voltage higher than the specified maximum rated voltages.

To enhance reliability, unused inputs can be driven to an appropriate logic voltage level ( $V_{DD}$  or  $V_{SS}$ ). This could be done by the internal pull-up and pull-down, which is provided by the product for most general purpose pins.

The parameters listed in the following tables represent the characteristics of the device and its demands on the system.

In the tables where the device logic provides signals with their respective timing characteristics, the symbol “CC” for Controller Characteristics is included in the Symbol column.

In the tables where the external system must provide signals with their respective timing characteristics to the device, the symbol “SR” for System Requirement is included in the Symbol column.

**Caution:** All LQFP64 information is indicative and must be confirmed during silicon validation.

### 3.10 Parameter classification

The electrical parameters shown in this supplement are guaranteed by various methods. To give the customer a better understanding, the classifications listed in [Table 8](#) are used and the parameters are tagged accordingly in the tables where appropriate.

**Table 8. Parameter classifications**

| Classification tag | Tag description  |
|--------------------|--|
| P                  | Those parameters are guaranteed during production testing on each individual device.   |
| C                  | Those parameters are achieved by the design characterization by measuring a statistically relevant sample size across process variations.  |
| T                  | Those parameters are achieved by design characterization on a small sample size from typical devices under typical conditions unless otherwise noted. All values shown in the typical column are within this category. |
| D                  | Those parameters are derived mainly from simulations.  |

*Note:* The classification is shown in the column labeled “C” in the parameter tables where appropriate.

### 3.11 NVUSRO register

Bit values in the Non-Volatile User Options (NVUSRO) Register control portions of the device configuration, namely electrical parameters such as high voltage supply and oscillator margin, as well as digital functionality (watchdog enable/disable after reset).

For a detailed description of the NVUSRO register, please refer to the device reference manual.

#### 3.11.1 NVUSRO[**PAD3V5V**] field description

The DC electrical characteristics are dependent on the PAD3V5V bit value. [Table 9](#) shows how NVUSRO[**PAD3V5V**] controls the device configuration.

**Table 9. PAD3V5V field description**

| Value <sup>(1)</sup> | Description                  |
|----------------------|------------------------------|
| 0                    | High voltage supply is 5.0 V |
| 1                    | High voltage supply is 3.3 V |

1. Default manufacturing value is ‘1’. Value can be programmed by customer in Shadow Flash.



### 3.11.2 NVUSRO[OSCILLATOR\_MARGIN] field description

The fast external crystal oscillator consumption is dependent on the OSCILLATOR\_MARGIN bit value. [Table 10](#) shows how NVUSRO[OSCILLATOR\_MARGIN] controls the device configuration.

**Table 10. OSCILLATOR\_MARGIN field description**

| Value <sup>(1)</sup> | Description                                 |
|----------------------|---|
| 0                    | Low consumption configuration (4 MHz/8 MHz) |
| 1                    | High margin configuration (4 MHz/16 MHz)    |

1. Default manufacturing value is '1'. Value can be programmed by customer in Shadow Flash.

### 3.11.3 NVUSRO[WATCHDOG\_EN] field description

The watchdog enable/disable configuration after reset is dependent on the WATCHDOG\_EN bit value. [Table 11](#) shows how NVUSRO[WATCHDOG\_EN] controls the device configuration.

**Table 11. WATCHDOG\_EN field description**

| Value <sup>(1)</sup> | Description         |
|----------------------|---------------------|
| 0                    | Disable after reset |
| 1                    | Enable after reset  |

1. Default manufacturing value is '1'. Value can be programmed by customer in Shadow Flash.

## 3.12 Absolute maximum ratings

**Table 12. Absolute maximum ratings**

| Symbol              | Parameter  | Conditions                  | Value                |                      | Unit |
|---------------------|--|-----------------------------|----------------------|----------------------|------|
|                     |  |                             | Min                  | Max                  |      |
| V <sub>SS</sub>     | SR Digital ground on VSS_HV pins   | —                           | 0                    | 0                    | V    |
| V <sub>DD</sub>     | SR Voltage on VDD_HV pins with respect to ground (V <sub>SS</sub> )                              | —                           | -0.3                 | 6.0                  | V    |
| V <sub>SS_LV</sub>  | SR Voltage on VSS_LV (low voltage digital supply) pins with respect to ground (V <sub>SS</sub> ) | —                           | V <sub>SS</sub> -0.1 | V <sub>SS</sub> +0.1 | V    |
| V <sub>DD_BV</sub>  | SR Voltage on VDD_BV pin (regulator supply) with respect to ground (V <sub>SS</sub> )            | —                           | -0.3                 | 6.0                  | V    |
|                     |  | Relative to V <sub>DD</sub> | -0.3                 | V <sub>DD</sub> +0.3 |      |
| V <sub>SS_ADC</sub> | SR Voltage on VSS_HV_ADC (ADC reference) pin with respect to ground (V <sub>SS</sub> )           | —                           | V <sub>SS</sub> -0.1 | V <sub>SS</sub> +0.1 | V    |
| V <sub>DD_ADC</sub> | SR Voltage on VDD_HV_ADC pin (ADC reference) with respect to ground (V <sub>SS</sub> )           | —                           | -0.3                 | 6.0                  | V    |
|                     |  | Relative to V <sub>DD</sub> | V <sub>DD</sub> -0.3 | V <sub>DD</sub> +0.3 |      |

**Table 12. Absolute maximum ratings (continued)**

| Symbol               |    | Parameter   | Conditions                                    | Value |                      | Unit |
|----------------------|----|---|---|-------|----------------------|------|
|                      |    |   |   | Min   | Max                  |      |
| V <sub>IN</sub>      | SR | Voltage on any GPIO pin with respect to ground (V <sub>SS</sub> )     | —   | -0.3  | 6.0                  | V    |
|                      |    |   | Relative to V <sub>DD</sub>                   | —     | V <sub>DD</sub> +0.3 |      |
| I <sub>INJPAD</sub>  | SR | Injected input current on any pin during overload condition           | —   | -10   | 10                   | mA   |
| I <sub>INJSUM</sub>  | SR | Absolute sum of all injected input currents during overload condition | —   | -50   | 50                   |      |
| I <sub>AVGSEG</sub>  | SR | Sum of all the static I/O current within a supply segment             | V <sub>DD</sub> = 5.0 V ± 10%,<br>PAD3V5V = 0 | —     | 70                   | mA   |
|                      |    |   | V <sub>DD</sub> = 3.3 V ± 10%,<br>PAD3V5V = 1 | —     | 64                   |      |
| I <sub>CORELV</sub>  | SR | Low voltage static current sink through VDD_BV                        | —   | —     | 150                  | mA   |
| T <sub>STORAGE</sub> | SR | Storage temperature   | —   | -55   | 150                  | °C   |

*Note:* Stresses exceeding the recommended absolute maximum ratings may cause permanent damage to the device. This is a stress rating only and functional operation of the device at these or any other conditions above those indicated in the operational sections of this specification are not implied. Exposure to absolute maximum rating conditions for extended periods may affect device reliability. During overload conditions (V<sub>IN</sub> > V<sub>DD</sub> or V<sub>IN</sub> < V<sub>SS</sub>), the voltage on pins with respect to ground (V<sub>SS</sub>) must not exceed the recommended values.

### 3.13 Recommended operating conditions

**Table 13. Recommended operating conditions (3.3 V)**

| Symbol                             |    | Parameter   | Conditions                  | Value                |                      | Unit |
|------------------------------------|----|---|-----------------------------|----------------------|----------------------|------|
|                                    |    |   |                             | Min                  | Max                  |      |
| V <sub>SS</sub>                    | SR | Digital ground on VSS_HV pins   | —                           | 0                    | 0                    | V    |
| V <sub>DD</sub> <sup>(1)</sup>     | SR | Voltage on VDD_HV pins with respect to ground (V <sub>SS</sub> )                              | —                           | 3.0                  | 3.6                  | V    |
| V <sub>SS_LV</sub> <sup>(2)</sup>  | SR | Voltage on VSS_LV (low voltage digital supply) pins with respect to ground (V <sub>SS</sub> ) | —                           | V <sub>SS</sub> -0.1 | V <sub>SS</sub> +0.1 | V    |
| V <sub>DD_BV</sub> <sup>(3)</sup>  | SR | Voltage on VDD_BV pin (regulator supply) with respect to ground (V <sub>SS</sub> )            | —                           | 3.0                  | 3.6                  | V    |
|                                    |    |   | Relative to V <sub>DD</sub> | V <sub>DD</sub> -0.1 | V <sub>DD</sub> +0.1 |      |
| V <sub>SS_ADC</sub>                | SR | Voltage on VSS_HV_ADC (ADC reference) pin with respect to ground (V <sub>SS</sub> )           | —                           | V <sub>SS</sub> -0.1 | V <sub>SS</sub> +0.1 | V    |
| V <sub>DD_ADC</sub> <sup>(4)</sup> | SR | Voltage on VDD_HV_ADC pin (ADC reference) with respect to ground (V <sub>SS</sub> )           | —                           | 3.0 <sup>(5)</sup>   | 3.6                  | V    |
|                                    |    |   | Relative to V <sub>DD</sub> | V <sub>DD</sub> -0.1 | V <sub>DD</sub> +0.1 |      |

Table 13. Recommended operating conditions (3.3 V) (continued)

| Symbol              |    | Parameter   | Conditions                  | Value                |  | Unit |
|---------------------|----|---|-----------------------------|----------------------|--|------|
|                     |    |   |                             | Min                  | Max                                    |      |
| V <sub>IN</sub>     | SR | Voltage on any GPIO pin with respect to ground (V <sub>SS</sub> )     | —                           | V <sub>SS</sub> -0.1 | —                                      | V    |
|                     |    |   | Relative to V <sub>DD</sub> | —                    | V <sub>DD</sub> +0.1                   |      |
| I <sub>INJPAD</sub> | SR | Injected input current on any pin during overload condition           | —                           | -5                   | 5                                      | mA   |
| I <sub>INJSUM</sub> | SR | Absolute sum of all injected input currents during overload condition | —                           | -50                  | 50                                     |      |
| TV <sub>DD</sub>    | SR | V <sub>DD</sub> slope to ensure correct power up <sup>(6)</sup>       | —                           | 3.0 <sup>(7)</sup>   | 250 x 10 <sup>3</sup><br>(0.25 [V/μs]) | V/s  |

- 100 nF capacitance needs to be provided between each V<sub>DD</sub>/V<sub>SS</sub> pair
- 330 nF capacitance needs to be provided between each V<sub>DD\_LV</sub>/V<sub>SS\_LV</sub> supply pair.
- 400 nF capacitance needs to be provided between V<sub>DD\_BV</sub> and the nearest V<sub>SS\_LV</sub> (higher value may be needed depending on external regulator characteristics).
- 100 nF capacitance needs to be provided between V<sub>DD\_ADC</sub>/V<sub>SS\_ADC</sub> pair.
- Full electrical specification cannot be guaranteed when voltage drops below 3.0 V. In particular, ADC electrical characteristics and I/Os DC electrical specification may not be guaranteed. When voltage drops below V<sub>LVDHVL</sub>, device is reset.
- Guaranteed by device validation.
- Minimum value of TV<sub>DD</sub> must be guaranteed until V<sub>DD</sub> reaches 2.6 V (maximum value of V<sub>PORH</sub>).

Table 14. Recommended operating conditions (5.0 V)

| Symbol                             |    | Parameter   | Conditions                  | Value                |                      | Unit |
|------------------------------------|----|---|-----------------------------|----------------------|----------------------|------|
|                                    |    |   |                             | Min                  | Max                  |      |
| V <sub>SS</sub>                    | SR | Digital ground on VSS_HV pins   | —                           | 0                    | 0                    | V    |
| V <sub>DD</sub> <sup>(1)</sup>     | SR | Voltage on VDD_HV pins with respect to ground (V <sub>SS</sub> )                              | —                           | 4.5                  | 5.5                  | V    |
|                                    |    |   | Voltage drop <sup>(2)</sup> | 3.0                  | 5.5                  |      |
| V <sub>SS_LV</sub> <sup>(3)</sup>  | SR | Voltage on VSS_LV (low voltage digital supply) pins with respect to ground (V <sub>SS</sub> ) | —                           | V <sub>SS</sub> -0.1 | V <sub>SS</sub> +0.1 | V    |
| V <sub>DD_BV</sub> <sup>(4)</sup>  | SR | Voltage on VDD_BV pin (regulator supply) with respect to ground (V <sub>SS</sub> )            | —                           | 4.5                  | 5.5                  | V    |
|                                    |    |   | Voltage drop <sup>(2)</sup> | 3.0                  | 5.5                  |      |
|                                    |    |   | Relative to V <sub>DD</sub> | V <sub>DD</sub> -0.1 | V <sub>DD</sub> +0.1 |      |
| V <sub>SS_ADC</sub>                | SR | Voltage on VSS_HV_ADC (ADC reference) pin with respect to ground (V <sub>SS</sub> )           | —                           | V <sub>SS</sub> -0.1 | V <sub>SS</sub> +0.1 | V    |
| V <sub>DD_ADC</sub> <sup>(5)</sup> | SR | Voltage on VDD_HV_ADC pin (ADC reference) with respect to ground (V <sub>SS</sub> )           | —                           | 4.5                  | 5.5                  | V    |
|                                    |    |   | Voltage drop <sup>(2)</sup> | 3.0                  | 5.5                  |      |
|                                    |    |   | Relative to V <sub>DD</sub> | V <sub>DD</sub> -0.1 | V <sub>DD</sub> +0.1 |      |
| V <sub>IN</sub>                    | SR | Voltage on any GPIO pin with respect to ground (V <sub>SS</sub> )                             | —                           | V <sub>SS</sub> -0.1 | —                    | V    |
|                                    |    |   | Relative to V <sub>DD</sub> | —                    | V <sub>DD</sub> +0.1 |      |

**Table 14. Recommended operating conditions (5.0 V) (continued)**

| Symbol       |    | Parameter   | Conditions | Value              |  | Unit |
|--------------|----|---|------------|--------------------|--|------|
|              |    |   |            | Min                | Max                                    |      |
| $I_{INJPAD}$ | SR | Injected input current on any pin during overload condition           | —          | -5                 | 5                                      | mA   |
| $I_{INJSUM}$ | SR | Absolute sum of all injected input currents during overload condition | —          | -50                | 50                                     |      |
| $TV_{DD}$    | SR | $V_{DD}$ slope to ensure correct power up <sup>(6)</sup>              | —          | 3.0 <sup>(7)</sup> | 250 x 10 <sup>3</sup><br>(0.25 [V/μs]) | V/s  |

- 100 nF capacitance needs to be provided between each  $V_{DD}/V_{SS}$  pair.
- Full device operation is guaranteed by design when the voltage drops below 4.5 V down to 3.0 V. However, certain analog electrical characteristics will not be guaranteed to stay within the stated limits.
- 330 nF capacitance needs to be provided between each  $V_{DD\_LV}/V_{SS\_LV}$  supply pair.
- 100 nF capacitance needs to be provided between  $V_{DD\_BV}$  and the nearest  $V_{SS\_LV}$  (higher value may be needed depending on external regulator characteristics).
- 1 μF (electrolytic/tantalum) + 47 nF (ceramic) capacitance needs to be provided between  $V_{DD\_ADC}/V_{SS\_ADC}$  pair. Another ceramic cap of 10 nF with low inductance package can be added.
- Guaranteed by device validation.
- Minimum value of  $TV_{DD}$  must be guaranteed until  $V_{DD}$  reaches 2.6 V (maximum value of  $V_{PORH}$ ).

Note: RAM data retention is guaranteed with  $V_{DD\_LV}$  not below 1.08 V.

### 3.14 Thermal characteristics

#### 3.14.1 Package thermal characteristics

**Table 15. LQFP thermal characteristics<sup>(1)</sup>**

| Symbol          |    | C | Parameter   | Conditions <sup>(2)</sup> | Pin count | Value | Unit |
|-----------------|----|---|---|---------------------------|-----------|-------|------|
| $R_{\theta JA}$ | CC | D | Thermal resistance, junction-to-ambient natural convection <sup>(3)</sup> | Single-layer board - 1s   | 64        | 60    | °C/W |
|                 |    |   |   |                           | 100       | 64    |      |
|                 |    |   |   |                           | 144       | 64    |      |
|                 |    |   |   | Four-layer board - 2s2p   | 64        | 42    |      |
|                 |    |   |   |                           | 100       | 51    |      |
|                 |    |   |   |                           | 144       | 49    |      |
| $R_{\theta JB}$ | CC | D | Thermal resistance, junction-to-board <sup>(4)</sup>                      | Single-layer board - 1s   | 64        | 24    | °C/W |
|                 |    |   |   |                           | 100       | 36    |      |
|                 |    |   |   |                           | 144       | 37    |      |
|                 |    |   |   | Four-layer board - 2s2p   | 64        | 24    |      |
|                 |    |   |   |                           | 100       | 34    |      |
|                 |    |   |   |                           | 144       | 35    |      |

Table 15. LQFP thermal characteristics<sup>(1)</sup> (continued)

| Symbol           | C  | Parameter  | Conditions <sup>(2)</sup> | Pin count | Value | Unit |
|------------------|----|--|---------------------------|-----------|-------|------|
| R <sub>θJC</sub> | CC | Thermal resistance, junction-to-case <sup>(5)</sup>                      | Single-layer board - 1s   | 64        | 11    | °C/W |
|                  |    |  |                           | 100       | 22    |      |
|                  |    |  |                           | 144       | 22    |      |
|                  |    |  | Four-layer board - 2s2p   | 64        | 11    |      |
|                  |    |  |                           | 100       | 22    |      |
|                  |    |  |                           | 144       | 22    |      |
| Ψ <sub>JB</sub>  | CC | Junction-to-board thermal characterization parameter, natural convection | Single-layer board - 1s   | 64        | TBD   | °C/W |
|                  |    |  |                           | 100       | 33    |      |
|                  |    |  |                           | 144       | 34    |      |
|                  |    |  | Four-layer board - 2s2p   | 64        | TBD   |      |
|                  |    |  |                           | 100       | 34    |      |
|                  |    |  |                           | 144       | 35    |      |
| Ψ <sub>JC</sub>  | CC | Junction-to-case thermal characterization parameter, natural convection  | Single-layer board - 1s   | 64        | TBD   | °C/W |
|                  |    |  |                           | 100       | 9     |      |
|                  |    |  |                           | 144       | 10    |      |
|                  |    |  | Four-layer board - 2s2p   | 64        | TBD   |      |
|                  |    |  |                           | 100       | 9     |      |
|                  |    |  |                           | 144       | 10    |      |

- Thermal characteristics are based on simulation.
- V<sub>DD</sub> = 3.3 V ± 10% / 5.0 V ± 10%, T<sub>A</sub> = -40 to 125 °C
- Junction-to-ambient thermal resistance determined per JEDEC JESD51-3 and JESD51-6. Thermal test board meets JEDEC specification for this package.
- Junction-to-board thermal resistance determined per JEDEC JESD51-8. Thermal test board meets JEDEC specification for the specified package.
- Junction-to-case at the top of the package determined using MIL-STD 883 Method 1012.1. The cold plate temperature is used for the case temperature. Reported value includes the thermal resistance of the interface layer.

### 3.14.2 Power considerations

The average chip-junction temperature, T<sub>J</sub>, in degrees Celsius, may be calculated using [Equation 1](#):

$$\text{Equation 1 } T_J = T_A + (P_D \times R_{\theta JA})$$

Where:

T<sub>A</sub> is the ambient temperature in °C.

R<sub>θJA</sub> is the package junction-to-ambient thermal resistance, in °C/W.

P<sub>D</sub> is the sum of P<sub>INT</sub> and P<sub>I/O</sub> (P<sub>D</sub> = P<sub>INT</sub> + P<sub>I/O</sub>).

P<sub>INT</sub> is the product of I<sub>DD</sub> and V<sub>DD</sub>, expressed in watts. This is the chip internal power.

P<sub>I/O</sub> represents the power dissipation on input and output pins; user determined.

Most of the time for the applications,  $P_{I/O} < P_{INT}$  and may be neglected. On the other hand,  $P_{I/O}$  may be significant, if the device is configured to continuously drive external modules and/or memories.

An approximate relationship between  $P_D$  and  $T_J$  (if  $P_{I/O}$  is neglected) is given by:

$$\text{Equation 2 } P_D = K / (T_J + 273 \text{ }^\circ\text{C})$$

Therefore, solving equations [Equation 1](#) and [Equation 2](#):

$$\text{Equation 3 } K = P_D \times (T_A + 273 \text{ }^\circ\text{C}) + R_{\theta JA} \times P_D^2$$

Where:

K is a constant for the particular part, which may be determined from [Equation 3](#) by measuring  $P_D$  (at equilibrium) for a known  $T_A$ . Using this value of K, the values of  $P_D$  and  $T_J$  may be obtained by solving equations [Equation 1](#) and [Equation 2](#) iteratively for any value of  $T_A$ .

## 3.15 I/O pad electrical characteristics

### 3.15.1 I/O pad types

The device provides four main I/O pad types depending on the associated alternate functions:

- Slow pads—These pads are the most common pads, providing a good compromise between transition time and low electromagnetic emission.
- Medium pads—These pads provide transition fast enough for the serial communication channels with controlled current to reduce electromagnetic emission.
- Fast pads—These pads provide maximum speed. There are used for improved Nexus debugging capability.
- Input only pads—These pads are associated to ADC channels and the external 32 kHz crystal oscillator (SXOSC) providing low input leakage.

Medium and Fast pads can use slow configuration to reduce electromagnetic emission, at the cost of reducing AC performance.

### 3.15.2 I/O input DC characteristics

[Table 16](#) provides input DC electrical characteristics as described in [Figure 6](#).

Figure 6. I/O input DC electrical characteristics definition



Table 16. I/O input DC electrical characteristics

| Symbol          | C  | Parameter             | Conditions <sup>(1)</sup>               | Value                        |                       |              | Unit |     |    |
|-----------------|----|-----------------------|---|------------------------------|-----------------------|--------------|------|-----|----|
|                 |    |                       |   | Min                          | Typ                   | Max          |      |     |    |
| $V_{IH}$        | SR | P                     | Input high level CMOS (Schmitt Trigger) | —                            | —                     | $0.65V_{DD}$ | V    |     |    |
| $V_{IL}$        | SR | P                     | Input low level CMOS (Schmitt Trigger)  | —                            | —                     | $-0.4$       |      |     |    |
| $V_{HYS}$       | CC | C                     | Input hysteresis CMOS (Schmitt Trigger) | —                            | —                     | $0.1V_{DD}$  |      |     |    |
| $I_{LKG}$       | CC | D                     | Digital input leakage                   | No injection on adjacent pin | $T_A = -40\text{ °C}$ | —            | 2    | 200 | nA |
|                 |    | $T_A = 25\text{ °C}$  |   |                              | —                     | 2            | 200  |     |    |
|                 |    | $T_A = 85\text{ °C}$  |   |                              | —                     | 5            | 300  |     |    |
|                 |    | $T_A = 105\text{ °C}$ |   |                              | —                     | 12           | 500  |     |    |
|                 |    | $T_A = 125\text{ °C}$ |   |                              | —                     | 70           | 1000 |     |    |
| $W_{FI}^{(2)}$  | SR | P                     | Wakeup input filtered pulse             | —                            | —                     | —            | 40   | ns  |    |
| $W_{NFI}^{(2)}$ | SR | P                     | Wakeup input not filtered pulse         | —                            | —                     | 1000         | —    | ns  |    |

1.  $V_{DD} = 3.3\text{ V} \pm 10\% / 5.0\text{ V} \pm 10\%$ ,  $T_A = -40$  to  $125\text{ °C}$ , unless otherwise specified

2. In the range from 40 to 1000 ns, pulses can be filtered or not filtered, according to operating temperature and voltage.

### 3.15.3 I/O output DC characteristics

The following tables provide DC characteristics for bidirectional pads:

- [Table 17](#) provides weak pull figures. Both pull-up and pull-down resistances are supported.
- [Table 18](#) provides output driver characteristics for I/O pads when in SLOW configuration.
- [Table 19](#) provides output driver characteristics for I/O pads when in MEDIUM configuration.
- [Table 20](#) provides output driver characteristics for I/O pads when in FAST configuration.

**Table 17. I/O pull-up/pull-down DC electrical characteristics**

| Symbol            | C | Parameter                             | Conditions <sup>(1)</sup>   | Value                      |     |     | Unit |    |
|-------------------|---|---------------------------------------|---|----------------------------|-----|-----|------|----|
|                   |   |                                       |   | Min                        | Typ | Max |      |    |
| I <sub>WPUL</sub> | C | Weak pull-up current absolute value   | V <sub>IN</sub> = V <sub>IL</sub> , V <sub>DD</sub> = 5.0 V ± 10% | PAD3V5V = 0                | 10  | —   | 150  | μA |
|                   |   |                                       |   | PAD3V5V = 1 <sup>(2)</sup> | 10  | —   | 250  |    |
|                   |   |                                       | V <sub>IN</sub> = V <sub>IL</sub> , V <sub>DD</sub> = 3.3 V ± 10% | PAD3V5V = 1                | 10  | —   | 150  |    |
| I <sub>WPDL</sub> | C | Weak pull-down current absolute value | V <sub>IN</sub> = V <sub>IH</sub> , V <sub>DD</sub> = 5.0 V ± 10% | PAD3V5V = 0                | 10  | —   | 150  | μA |
|                   |   |                                       |   | PAD3V5V = 1                | 10  | —   | 250  |    |
|                   |   |                                       | V <sub>IN</sub> = V <sub>IH</sub> , V <sub>DD</sub> = 3.3 V ± 10% | PAD3V5V = 1                | 10  | —   | 150  |    |

1. V<sub>DD</sub> = 3.3 V ± 10% / 5.0 V ± 10%, T<sub>A</sub> = -40 to 125 °C, unless otherwise specified.
2. The configuration PAD3V5 = 1 when V<sub>DD</sub> = 5 V is only a transient configuration during power-up. All pads but RESET and Nexus output (MDOx, EVTO, MCKO) are configured in input or in high impedance state.

**Table 18. SLOW configuration output buffer electrical characteristics**

| Symbol          | C  | Parameter                            | Conditions <sup>(1)</sup> | Value  |                      |     | Unit |   |
|-----------------|----|--------------------------------------|---------------------------|--|----------------------|-----|------|---|
|                 |    |                                      |                           | Min  | Typ                  | Max |      |   |
| V <sub>OH</sub> | CC | Output high level SLOW configuration | Push Pull                 | I <sub>OH</sub> = -2 mA, V <sub>DD</sub> = 5.0 V ± 10%, PAD3V5V = 0 (recommended)  | 0.8V <sub>DD</sub>   | —   | —    | V |
|                 |    |                                      |                           | I <sub>OH</sub> = -2 mA, V <sub>DD</sub> = 5.0 V ± 10%, PAD3V5V = 1 <sup>(2)</sup> | 0.8V <sub>DD</sub>   | —   | —    |   |
|                 |    |                                      |                           | I <sub>OH</sub> = -1 mA, V <sub>DD</sub> = 3.3 V ± 10%, PAD3V5V = 1 (recommended)  | V <sub>DD</sub> -0.8 | —   | —    |   |



**Table 18. SLOW configuration output buffer electrical characteristics (continued)**

| Symbol          | C  | Parameter                           | Conditions <sup>(1)</sup> | Value  |     |     | Unit               |   |
|-----------------|----|-------------------------------------|---------------------------|--|-----|-----|--------------------|---|
|                 |    |                                     |                           | Min  | Typ | Max |                    |   |
| V <sub>OL</sub> | CC | Output low level SLOW configuration | Push Pull                 | I <sub>OL</sub> = 2 mA,<br>V <sub>DD</sub> = 5.0 V ± 10%, PAD3V5V = 0 (recommended)  | —   | —   | 0.1V <sub>DD</sub> | V |
|                 |    |                                     |                           | I <sub>OL</sub> = 2 mA,<br>V <sub>DD</sub> = 5.0 V ± 10%, PAD3V5V = 1 <sup>(2)</sup> | —   | —   | 0.1V <sub>DD</sub> |   |
|                 |    |                                     |                           | I <sub>OL</sub> = 1 mA,<br>V <sub>DD</sub> = 3.3 V ± 10%, PAD3V5V = 1 (recommended)  | —   | —   | 0.5                |   |

- V<sub>DD</sub> = 3.3 V ± 10% / 5.0 V ± 10%, T<sub>A</sub> = -40 to 125 °C, unless otherwise specified
- The configuration PAD3V5 = 1 when V<sub>DD</sub> = 5 V is only a transient configuration during power-up. All pads but RESET and Nexus output (MDOx, EVTO, MCKO) are configured in input or in high impedance state.

**Table 19. MEDIUM configuration output buffer electrical characteristics**

| Symbol          | C  | Parameter                              | Conditions <sup>(1)</sup> | Value   |                      |     | Unit               |   |
|-----------------|----|--|---------------------------|---|----------------------|-----|--------------------|---|
|                 |    |  |                           | Min   | Typ                  | Max |                    |   |
| V <sub>OH</sub> | CC | Output high level MEDIUM configuration | Push Pull                 | I <sub>OH</sub> = -3.8 mA,<br>V <sub>DD</sub> = 5.0 V ± 10%, PAD3V5V = 0              | 0.8V <sub>DD</sub>   | —   | —                  | V |
|                 |    |  |                           | I <sub>OH</sub> = -2 mA,<br>V <sub>DD</sub> = 5.0 V ± 10%, PAD3V5V = 0 (recommended)  | 0.8V <sub>DD</sub>   | —   | —                  |   |
|                 |    |  |                           | I <sub>OH</sub> = -1 mA,<br>V <sub>DD</sub> = 5.0 V ± 10%, PAD3V5V = 1 <sup>(2)</sup> | 0.8V <sub>DD</sub>   | —   | —                  |   |
|                 |    |  |                           | I <sub>OH</sub> = -1 mA,<br>V <sub>DD</sub> = 3.3 V ± 10%, PAD3V5V = 1 (recommended)  | V <sub>DD</sub> -0.8 | —   | —                  |   |
|                 |    |  |                           | I <sub>OH</sub> = -100 µA,<br>V <sub>DD</sub> = 5.0 V ± 10%, PAD3V5V = 0              | 0.8V <sub>DD</sub>   | —   | —                  |   |
| V <sub>OL</sub> | CC | Output low level MEDIUM configuration  | Push Pull                 | I <sub>OL</sub> = 3.8 mA,<br>V <sub>DD</sub> = 5.0 V ± 10%, PAD3V5V = 0               | —                    | —   | 0.2V <sub>DD</sub> | V |
|                 |    |  |                           | I <sub>OL</sub> = 2 mA,<br>V <sub>DD</sub> = 5.0 V ± 10%, PAD3V5V = 0 (recommended)   | —                    | —   | 0.1V <sub>DD</sub> |   |
|                 |    |  |                           | I <sub>OL</sub> = 1 mA,<br>V <sub>DD</sub> = 5.0 V ± 10%, PAD3V5V = 1 <sup>(2)</sup>  | —                    | —   | 0.1V <sub>DD</sub> |   |
|                 |    |  |                           | I <sub>OL</sub> = 1 mA,<br>V <sub>DD</sub> = 3.3 V ± 10%, PAD3V5V = 1 (recommended)   | —                    | —   | 0.5                |   |
|                 |    |  |                           | I <sub>OL</sub> = 100 µA,<br>V <sub>DD</sub> = 5.0 V ± 10%, PAD3V5V = 0               | —                    | —   | 0.1V <sub>DD</sub> |   |

- V<sub>DD</sub> = 3.3 V ± 10% / 5.0 V ± 10%, T<sub>A</sub> = -40 to 125 °C, unless otherwise specified

- The configuration PAD3V5 = 1 when  $V_{DD} = 5\text{ V}$  is only a transient configuration during power-up. All pads but RESET and Nexus output (MDOx, EVTO, MCKO) are configured in input or in high impedance state.

**Table 20. FAST configuration output buffer electrical characteristics**

| Symbol   | C  | Parameter                            | Conditions <sup>(1)</sup> | Value   |              |     | Unit        |   |
|----------|----|--------------------------------------|---------------------------|---|--------------|-----|-------------|---|
|          |    |                                      |                           | Min   | Typ          | Max |             |   |
| $V_{OH}$ | CC | Output high level FAST configuration | Push Pull                 | $I_{OH} = -14\text{mA}$ ,<br>$V_{DD} = 5.0\text{ V} \pm 10\%$ , PAD3V5V = 0 (recommended) | $0.8V_{DD}$  | —   | —           | V |
|          |    |                                      |                           | $I_{OH} = -7\text{mA}$ ,<br>$V_{DD} = 5.0\text{ V} \pm 10\%$ , PAD3V5V = 1 <sup>(2)</sup> | $0.8V_{DD}$  | —   | —           |   |
|          |    |                                      |                           | $I_{OH} = -11\text{mA}$ ,<br>$V_{DD} = 3.3\text{ V} \pm 10\%$ , PAD3V5V = 1 (recommended) | $V_{DD}-0.8$ | —   | —           |   |
| $V_{OL}$ | CC | Output low level FAST configuration  | Push Pull                 | $I_{OL} = 14\text{mA}$ ,<br>$V_{DD} = 5.0\text{ V} \pm 10\%$ , PAD3V5V = 0 (recommended)  | —            | —   | $0.1V_{DD}$ | V |
|          |    |                                      |                           | $I_{OL} = 7\text{mA}$ ,<br>$V_{DD} = 5.0\text{ V} \pm 10\%$ , PAD3V5V = 1 <sup>(2)</sup>  | —            | —   | $0.1V_{DD}$ |   |
|          |    |                                      |                           | $I_{OL} = 11\text{mA}$ ,<br>$V_{DD} = 3.3\text{ V} \pm 10\%$ , PAD3V5V = 1 (recommended)  | —            | —   | 0.5         |   |

- $V_{DD} = 3.3\text{ V} \pm 10\% / 5.0\text{ V} \pm 10\%$ ,  $T_A = -40$  to  $125\text{ }^\circ\text{C}$ , unless otherwise specified
- The configuration PAD3V5 = 1 when  $V_{DD} = 5\text{ V}$  is only a transient configuration during power-up. All pads but RESET and Nexus output (MDOx, EVTO, MCKO) are configured in input or in high impedance state.

### 3.15.4 Output pin transition times

**Table 21. Output pin transition times**

| Symbol   | C  | Parameter  | Conditions <sup>(1)</sup>                      | Value                 |     |     | Unit |    |
|----------|----|--|--|-----------------------|-----|-----|------|----|
|          |    |  |  | Min                   | Typ | Max |      |    |
| $t_{tr}$ | CC | Output transition time output pin <sup>(2)</sup><br>SLOW configuration | $V_{DD} = 5.0\text{ V} \pm 10\%$ , PAD3V5V = 0 | $C_L = 25\text{ pF}$  | —   | —   | 50   | ns |
|          |    |  |  | $C_L = 50\text{ pF}$  | —   | —   | 100  |    |
|          |    |  |  | $C_L = 100\text{ pF}$ | —   | —   | 125  |    |
|          |    |  | $V_{DD} = 3.3\text{ V} \pm 10\%$ , PAD3V5V = 1 | $C_L = 25\text{ pF}$  | —   | —   | 50   |    |
|          |    |  |  | $C_L = 50\text{ pF}$  | —   | —   | 100  |    |
|          |    |  |  | $C_L = 100\text{ pF}$ | —   | —   | 125  |    |

**Table 21. Output pin transition times (continued)**

| Symbol          | C  | Parameter  | Conditions <sup>(1)</sup> | Value   |     |     | Unit |    |
|-----------------|----|--|---------------------------|---|-----|-----|------|----|
|                 |    |  |                           | Min   | Typ | Max |      |    |
| t <sub>tr</sub> | CC | Output transition time output pin <sup>(2)</sup><br>MEDIUM configuration | C <sub>L</sub> = 25 pF    | V <sub>DD</sub> = 5.0 V ± 10%, PAD3V5V = 0<br>SIUL.PCRx.SRC = 1 | —   | —   | 10   | ns |
|                 |    |  | C <sub>L</sub> = 50 pF    |   | —   | —   | 20   |    |
|                 |    |  | C <sub>L</sub> = 100 pF   |   | —   | —   | 40   |    |
|                 |    |  | C <sub>L</sub> = 25 pF    | V <sub>DD</sub> = 3.3 V ± 10%, PAD3V5V = 1<br>SIUL.PCRx.SRC = 1 | —   | —   | 12   |    |
|                 |    |  | C <sub>L</sub> = 50 pF    |   | —   | —   | 25   |    |
|                 |    |  | C <sub>L</sub> = 100 pF   |   | —   | —   | 40   |    |
| t <sub>tr</sub> | CC | Output transition time output pin <sup>(2)</sup><br>FAST configuration   | C <sub>L</sub> = 25 pF    | V <sub>DD</sub> = 5.0 V ± 10%, PAD3V5V = 0                      | —   | —   | 4    | ns |
|                 |    |  | C <sub>L</sub> = 50 pF    |   | —   | —   | 6    |    |
|                 |    |  | C <sub>L</sub> = 100 pF   |   | —   | —   | 12   |    |
|                 |    |  | C <sub>L</sub> = 25 pF    | V <sub>DD</sub> = 3.3 V ± 10%, PAD3V5V = 1                      | —   | —   | 4    |    |
|                 |    |  | C <sub>L</sub> = 50 pF    |   | —   | —   | 7    |    |
|                 |    |  | C <sub>L</sub> = 100 pF   |   | —   | —   | 12   |    |

1. V<sub>DD</sub> = 3.3 V ± 10% / 5.0 V ± 10%, T<sub>A</sub> = -40 to 125 °C, unless otherwise specified

2. C<sub>L</sub> includes device and package capacitances (C<sub>PKG</sub> < 5 pF).

### 3.15.5 I/O pad current specification

The I/O pads are distributed across the I/O supply segment. Each I/O supply segment is associated to a V<sub>DD</sub>/V<sub>SS</sub> supply pair as described in [Table 22](#).

**Table 22. I/O supply segment**

| Package                | Supply segment                                 |             |               |               |      |                        |
|------------------------|--|-------------|---------------|---------------|------|------------------------|
|                        | 1  | 2           | 3             | 4             | 5    | 6                      |
| LBGA208 <sup>(1)</sup> | Equivalent to LQFP144 segment pad distribution |             |               |               | MCKO | MDO <sub>n</sub> /MSEO |
| LQFP144                | pin20–pin49                                    | pin51–pin99 | pin100–pin122 | pin 123–pin19 | —    | —                      |
| LQFP100                | pin16–pin35                                    | pin37–pin69 | pin70–pin83   | pin 84–pin15  | —    | —                      |
| LQFP64 <sup>(2)</sup>  | pin8–pin26                                     | pin28–pin55 | pin56–pin7    | —             | —    | —                      |

1. LBGA208 available only as development package for Nexus2+

2. All LQFP64 information is indicative and must be confirmed during silicon validation.

[Table 23](#) provides I/O consumption figures.

In order to ensure device reliability, the average current of the I/O on a single segment should remain below the I<sub>AVGSEG</sub> maximum value.

Table 23. I/O consumption

| Symbol                             | C  | Parameter   | Conditions <sup>(1)</sup>                  | Value                                      |     |     | Unit |    |
|------------------------------------|----|---|--|--|-----|-----|------|----|
|                                    |    |   |  | Min  | Typ | Max |      |    |
| I <sub>SWTSLW</sub> <sup>(2)</sup> | CC | Dynamic I/O current for SLOW configuration                | C <sub>L</sub> = 25 pF                     | V <sub>DD</sub> = 5.0 V ± 10%, PAD3V5V = 0 | —   | —   | 20   | mA |
|                                    |    |   |  | V <sub>DD</sub> = 3.3 V ± 10%, PAD3V5V = 1 | —   | —   | 16   |    |
| I <sub>SWTMED</sub> <sup>(2)</sup> | CC | Dynamic I/O current for MEDIUM configuration              | C <sub>L</sub> = 25 pF                     | V <sub>DD</sub> = 5.0 V ± 10%, PAD3V5V = 0 | —   | —   | 29   | mA |
|                                    |    |   |  | V <sub>DD</sub> = 3.3 V ± 10%, PAD3V5V = 1 | —   | —   | 17   |    |
| I <sub>SWTFST</sub> <sup>(2)</sup> | CC | Dynamic I/O current for FAST configuration                | C <sub>L</sub> = 25 pF                     | V <sub>DD</sub> = 5.0 V ± 10%, PAD3V5V = 0 | —   | —   | 110  | mA |
|                                    |    |   |  | V <sub>DD</sub> = 3.3 V ± 10%, PAD3V5V = 1 | —   | —   | 50   |    |
| I <sub>RMSLW</sub>                 | CC | Root mean square I/O current for SLOW configuration       | C <sub>L</sub> = 25 pF, 2 MHz              | V <sub>DD</sub> = 5.0 V ± 10%, PAD3V5V = 0 | —   | —   | 2.3  | mA |
|                                    |    |   | C <sub>L</sub> = 25 pF, 4 MHz              |  | —   | —   | 3.2  |    |
|                                    |    |   | C <sub>L</sub> = 100 pF, 2 MHz             |  | —   | —   | 6.6  |    |
|                                    |    |   | C <sub>L</sub> = 25 pF, 2 MHz              | V <sub>DD</sub> = 3.3 V ± 10%, PAD3V5V = 1 | —   | —   | 1.6  |    |
|                                    |    |   | C <sub>L</sub> = 25 pF, 4 MHz              |  | —   | —   | 2.3  |    |
|                                    |    |   | C <sub>L</sub> = 100 pF, 2 MHz             |  | —   | —   | 4.7  |    |
| I <sub>RMSMED</sub>                | CC | Root mean square I/O current for MEDIUM configuration     | C <sub>L</sub> = 25 pF, 13 MHz             | V <sub>DD</sub> = 5.0 V ± 10%, PAD3V5V = 0 | —   | —   | 6.6  | mA |
|                                    |    |   | C <sub>L</sub> = 25 pF, 40 MHz             |  | —   | —   | 13.4 |    |
|                                    |    |   | C <sub>L</sub> = 100 pF, 13 MHz            |  | —   | —   | 18.3 |    |
|                                    |    |   | C <sub>L</sub> = 25 pF, 13 MHz             | V <sub>DD</sub> = 3.3 V ± 10%, PAD3V5V = 1 | —   | —   | 5    |    |
|                                    |    |   | C <sub>L</sub> = 25 pF, 40 MHz             |  | —   | —   | 8.5  |    |
|                                    |    |   | C <sub>L</sub> = 100 pF, 13 MHz            |  | —   | —   | 11   |    |
| I <sub>RMSFST</sub>                | CC | Root mean square I/O current for FAST configuration       | C <sub>L</sub> = 25 pF, 40 MHz             | V <sub>DD</sub> = 5.0 V ± 10%, PAD3V5V = 0 | —   | —   | 22   | mA |
|                                    |    |   | C <sub>L</sub> = 25 pF, 64 MHz             |  | —   | —   | 33   |    |
|                                    |    |   | C <sub>L</sub> = 100 pF, 40 MHz            |  | —   | —   | 56   |    |
|                                    |    |   | C <sub>L</sub> = 25 pF, 40 MHz             | V <sub>DD</sub> = 3.3 V ± 10%, PAD3V5V = 1 | —   | —   | 14   |    |
|                                    |    |   | C <sub>L</sub> = 25 pF, 64 MHz             |  | —   | —   | 20   |    |
|                                    |    |   | C <sub>L</sub> = 100 pF, 40 MHz            |  | —   | —   | 35   |    |
| I <sub>AVGSEG</sub>                | SR | Sum of all the static I/O current within a supply segment | V <sub>DD</sub> = 5.0 V ± 10%, PAD3V5V = 0 | —  | —   | 70  | mA   |    |
|                                    |    |   | V <sub>DD</sub> = 3.3 V ± 10%, PAD3V5V = 1 | —  | —   | 65  |      |    |

1. V<sub>DD</sub> = 3.3 V ± 10% / 5.0 V ± 10%, T<sub>A</sub> = -40 to 125 °C, unless otherwise specified
2. Stated maximum values represent peak consumption that lasts only a few ns during I/O transition.

Table 24 provides the weight of concurrent switching I/Os.



Due to the dynamic current limitations, the sum of the weight of concurrent switching I/Os on a single segment must not exceed 100% to ensure device functionality.

Table 24. I/O weight<sup>(1)</sup>

| Supply segment |          |         | Pad    | LQFP144/LQFP100        |         |              |         | LQFP64 <sup>(2)</sup> |         |              |         |
|----------------|----------|---------|--------|------------------------|---------|--------------|---------|-----------------------|---------|--------------|---------|
|                |          |         |        | Weight 5 V             |         | Weight 3.3 V |         | Weight 5 V            |         | Weight 3.3 V |         |
| LQFP 144       | LQFP 100 | LQFP 64 |        | SRC <sup>(3)</sup> = 0 | SRC = 1 | SRC = 0      | SRC = 1 | SRC = 0               | SRC = 1 | SRC = 0      | SRC = 1 |
| 4              | 4        | 3       | PB[3]  | 10%                    | —       | 12%          | —       | 10%                   | —       | 12%          | —       |
|                |          |         | PC[9]  | 10%                    | —       | 12%          | —       | 10%                   | —       | 12%          | —       |
|                |          | —       | PC[14] | 9%                     | —       | 11%          | —       | —                     | —       | —            | —       |
|                |          | —       | PC[15] | 9%                     | 13%     | 11%          | 12%     | —                     | —       | —            | —       |
|                | —        | —       | PG[5]  | 9%                     | —       | 11%          | —       | —                     | —       | —            | —       |
|                | —        | —       | PG[4]  | 9%                     | 12%     | 10%          | 11%     | —                     | —       | —            | —       |
|                | —        | —       | PG[3]  | 9%                     | —       | 10%          | —       | —                     | —       | —            | —       |
| 4              | 4        | —       | PG[2]  | 8%                     | 12%     | 10%          | 10%     | —                     | —       | —            | —       |
|                |          | 3       | PA[2]  | 8%                     | —       | 9%           | —       | 8%                    | —       | 9%           | —       |
|                |          |         | —      | PE[0]                  | 8%      | —            | 9%      | —                     | —       | —            | —       |
|                |          | 3       | PA[1]  | 7%                     | —       | 9%           | —       | 7%                    | —       | 9%           | —       |
|                |          |         | —      | PE[1]                  | 7%      | 10%          | 8%      | 9%                    | —       | —            | —       |
|                |          | —       | PE[8]  | 7%                     | 9%      | 8%           | 8%      | —                     | —       | —            | —       |
|                |          | —       | PE[9]  | 6%                     | —       | 7%           | —       | —                     | —       | —            | —       |
|                |          | —       | PE[10] | 6%                     | —       | 7%           | —       | —                     | —       | —            | —       |
|                |          | 3       | PA[0]  | 5%                     | 8%      | 6%           | 7%      | 5%                    | 8%      | 6%           | 7%      |
| —              | PE[11]   | 5%      | —      | 6%                     | —       | —            | —       | —                     | —       | —            |         |

Table 24. I/O weight<sup>(1)</sup> (continued)

| Supply segment |          |         | Pad    | LQFP144/LQFP100        |         |              |         | LQFP64 <sup>(2)</sup> |         |              |         |
|----------------|----------|---------|--------|------------------------|---------|--------------|---------|-----------------------|---------|--------------|---------|
|                |          |         |        | Weight 5 V             |         | Weight 3.3 V |         | Weight 5 V            |         | Weight 3.3 V |         |
| LQFP 144       | LQFP 100 | LQFP 64 |        | SRC <sup>(3)</sup> = 0 | SRC = 1 | SRC = 0      | SRC = 1 | SRC = 0               | SRC = 1 | SRC = 0      | SRC = 1 |
| 1              | —        | —       | PG[9]  | 9%                     | —       | 10%          | —       | —                     | —       | —            | —       |
|                | —        | —       | PG[8]  | 9%                     | —       | 11%          | —       | —                     | —       | —            | —       |
|                | 1        | —       | PC[11] | 9%                     | —       | 11%          | —       | —                     | —       | —            | —       |
|                |          | 1       | PC[10] | 9%                     | 13%     | 11%          | 12%     | 9%                    | 13%     | 11%          | 12%     |
|                | —        | —       | PG[7]  | 10%                    | 14%     | 11%          | 12%     | —                     | —       | —            | —       |
|                | —        | —       | PG[6]  | 10%                    | 14%     | 12%          | 12%     | —                     | —       | —            | —       |
|                | 1        | 1       | PB[0]  | 10%                    | 14%     | 12%          | 12%     | 10%                   | 14%     | 12%          | 12%     |
|                |          |         | PB[1]  | 10%                    | —       | 12%          | —       | 10%                   | —       | 12%          | —       |
|                | —        | —       | PF[9]  | 10%                    | —       | 12%          | —       | —                     | —       | —            | —       |
|                | —        | —       | PF[8]  | 10%                    | 15%     | 12%          | 13%     | —                     | —       | —            | —       |
|                | —        | —       | PF[12] | 10%                    | 15%     | 12%          | 13%     | —                     | —       | —            | —       |
|                | 1        | 1       | PC[6]  | 10%                    | —       | 12%          | —       | 10%                   | —       | 12%          | —       |
|                |          |         | PC[7]  | 10%                    | —       | 12%          | —       | 10%                   | —       | 12%          | —       |
|                | —        | —       | PF[10] | 10%                    | 14%     | 12%          | 12%     | —                     | —       | —            | —       |
|                | —        | —       | PF[11] | 10%                    | —       | 11%          | —       | —                     | —       | —            | —       |
|                | 1        | 1       | PA[15] | 9%                     | 12%     | 10%          | 11%     | 9%                    | 12%     | 10%          | 11%     |
|                | —        | —       | PF[13] | 8%                     | —       | 10%          | —       | —                     | —       | —            | —       |
|                | 1        | 1       | PA[14] | 8%                     | 11%     | 9%           | 10%     | 8%                    | 11%     | 9%           | 10%     |
|                |          |         | PA[4]  | 8%                     | —       | 9%           | —       | 8%                    | —       | 9%           | —       |
|                |          |         | PA[13] | 7%                     | 10%     | 9%           | 9%      | 7%                    | 10%     | 9%           | 9%      |
| PA[12]         |          |         | 7%     | —                      | 8%      | —            | 7%      | —                     | 8%      | —            |         |

Table 24. I/O weight<sup>(1)</sup> (continued)

| Supply segment |          |         | Pad    | LQFP144/LQFP100        |         |              |         | LQFP64 <sup>(2)</sup> |         |              |         |
|----------------|----------|---------|--------|------------------------|---------|--------------|---------|-----------------------|---------|--------------|---------|
|                |          |         |        | Weight 5 V             |         | Weight 3.3 V |         | Weight 5 V            |         | Weight 3.3 V |         |
| LQFP 144       | LQFP 100 | LQFP 64 |        | SRC <sup>(3)</sup> = 0 | SRC = 1 | SRC = 0      | SRC = 1 | SRC = 0               | SRC = 1 | SRC = 0      | SRC = 1 |
| 2              | 2        | 2       | PB[9]  | 1%                     | —       | 1%           | —       | 1%                    | —       | 1%           | —       |
|                |          |         | PB[8]  | 1%                     | —       | 1%           | —       | 1%                    | —       | 1%           | —       |
|                |          |         | PB[10] | 6%                     | —       | 7%           | —       | 6%                    | —       | 7%           | —       |
|                | —        | —       | —      | PF[0]                  | 6%      | —            | 7%      | —                     | —       | —            | —       |
|                | —        | —       | —      | PF[1]                  | 7%      | —            | 8%      | —                     | —       | —            | —       |
|                | —        | —       | —      | PF[2]                  | 7%      | —            | 8%      | —                     | —       | —            | —       |
|                | —        | —       | —      | PF[3]                  | 7%      | —            | 9%      | —                     | —       | —            | —       |
|                | —        | —       | —      | PF[4]                  | 8%      | —            | 9%      | —                     | —       | —            | —       |
|                | —        | —       | —      | PF[5]                  | 8%      | —            | 10%     | —                     | —       | —            | —       |
|                | —        | —       | —      | PF[6]                  | 8%      | —            | 10%     | —                     | —       | —            | —       |
|                | —        | —       | —      | PF[7]                  | 9%      | —            | 10%     | —                     | —       | —            | —       |
|                | —        | —       | —      | PD[0]                  | 1%      | —            | 1%      | —                     | —       | —            | —       |
|                | —        | —       | —      | PD[1]                  | 1%      | —            | 1%      | —                     | —       | —            | —       |
|                | —        | —       | —      | PD[2]                  | 1%      | —            | 1%      | —                     | —       | —            | —       |
|                | —        | —       | —      | PD[3]                  | 1%      | —            | 1%      | —                     | —       | —            | —       |
|                | —        | —       | —      | PD[4]                  | 1%      | —            | 1%      | —                     | —       | —            | —       |
|                | —        | —       | —      | PD[5]                  | 1%      | —            | 1%      | —                     | —       | —            | —       |
|                | —        | —       | —      | PD[6]                  | 1%      | —            | 1%      | —                     | —       | —            | —       |
|                | —        | —       | —      | PD[7]                  | 1%      | —            | 1%      | —                     | —       | —            | —       |
|                | —        | —       | —      | PD[8]                  | 1%      | —            | 1%      | —                     | —       | —            | —       |
| —              | 2        | 2       | PB[4]  | 1%                     | —       | 1%           | —       | 1%                    | —       | 1%           | —       |
| —              |          |         | PB[5]  | 1%                     | —       | 1%           | —       | 1%                    | —       | 2%           | —       |
| —              |          |         | PB[6]  | 1%                     | —       | 1%           | —       | 1%                    | —       | 2%           | —       |
| —              |          |         | PB[7]  | 1%                     | —       | 1%           | —       | 1%                    | —       | 2%           | —       |
| —              | —        | —       | PD[9]  | 1%                     | —       | 1%           | —       | —                     | —       | —            |         |
| —              | —        | —       | PD[10] | 1%                     | —       | 1%           | —       | —                     | —       | —            |         |
| —              | —        | —       | PD[11] | 1%                     | —       | 1%           | —       | —                     | —       | —            |         |
| —              | 2        | —       | PB[11] | 11%                    | —       | 13%          | —       | 17%                   | —       | 21%          | —       |
| —              | —        | —       | PD[12] | 11%                    | —       | 13%          | —       | —                     | —       | —            | —       |
| —              | 2        | —       | PB[12] | 11%                    | —       | 13%          | —       | 18%                   | —       | 21%          | —       |
| —              | —        | —       | PD[13] | 10%                    | —       | 12%          | —       | —                     | —       | —            | —       |

Table 24. I/O weight<sup>(1)</sup> (continued)

| Supply segment |          |         | Pad    | LQFP144/LQFP100        |         |              |         | LQFP64 <sup>(2)</sup> |         |              |         |   |
|----------------|----------|---------|--------|------------------------|---------|--------------|---------|-----------------------|---------|--------------|---------|---|
|                |          |         |        | Weight 5 V             |         | Weight 3.3 V |         | Weight 5 V            |         | Weight 3.3 V |         |   |
| LQFP 144       | LQFP 100 | LQFP 64 |        | SRC <sup>(3)</sup> = 0 | SRC = 1 | SRC = 0      | SRC = 1 | SRC = 0               | SRC = 1 | SRC = 0      | SRC = 1 |   |
| 2              | 2        | 2       | PB[13] | 10%                    | —       | 12%          | —       | 18%                   | —       | 21%          | —       |   |
|                |          | —       | PD[14] | 10%                    | —       | 12%          | —       | —                     | —       | —            | —       |   |
|                |          | 2       | PB[14] | 10%                    | —       | 12%          | —       | 18%                   | —       | 21%          | —       |   |
|                |          | —       | PD[15] | 10%                    | —       | 11%          | —       | —                     | —       | —            | —       |   |
|                |          | 2       | PB[15] | 9%                     | —       | 11%          | —       | 18%                   | —       | 21%          | —       |   |
|                |          |         | PA[3]  | 9%                     | —       | 11%          | —       | 18%                   | —       | 21%          | —       |   |
|                | —        | —       | PG[13] | 9%                     | 13%     | 10%          | 11%     | —                     | —       | —            | —       |   |
|                | —        | —       | PG[12] | 9%                     | 12%     | 10%          | 11%     | —                     | —       | —            | —       |   |
|                | —        | —       | PH[0]  | 5%                     | 8%      | 6%           | 7%      | —                     | —       | —            | —       |   |
|                | —        | —       | PH[1]  | 5%                     | 7%      | 6%           | 6%      | —                     | —       | —            | —       |   |
|                | —        | —       | PH[2]  | 5%                     | 6%      | 5%           | 6%      | —                     | —       | —            | —       |   |
|                | —        | —       | PH[3]  | 4%                     | 6%      | 5%           | 5%      | —                     | —       | —            | —       |   |
|                | —        | —       | PG[1]  | 4%                     | —       | 4%           | —       | —                     | —       | —            | —       |   |
|                | —        | —       | PG[0]  | 3%                     | 4%      | 4%           | 4%      | —                     | —       | —            | —       |   |
| 3              | —        | —       | PF[15] | 3%                     | —       | 4%           | —       | —                     | —       | —            | —       |   |
|                |          | —       | PF[14] | 4%                     | 5%      | 5%           | 5%      | —                     | —       | —            | —       |   |
|                |          | —       | PE[13] | 4%                     | —       | 5%           | —       | —                     | —       | —            | —       |   |
|                |          | 3       | 2      | PA[7]                  | 5%      | —            | 6%      | —                     | 16%     | —            | 19%     | — |
|                |          |         |        | PA[8]                  | 5%      | —            | 6%      | —                     | 16%     | —            | 19%     | — |
|                |          |         |        | PA[9]                  | 5%      | —            | 6%      | —                     | 15%     | —            | 18%     | — |
|                |          |         |        | PA[10]                 | 6%      | —            | 7%      | —                     | 15%     | —            | 18%     | — |
|                |          |         |        | PA[11]                 | 6%      | —            | 8%      | —                     | 14%     | —            | 17%     | — |
|                |          | —       | PE[12] | 7%                     | —       | 8%           | —       | —                     | —       | —            | —       |   |
|                |          | —       | —      | PG[14]                 | 7%      | —            | 8%      | —                     | —       | —            | —       | — |
|                |          | —       | —      | PG[15]                 | 7%      | 10%          | 8%      | 9%                    | —       | —            | —       | — |
|                |          | —       | —      | PE[14]                 | 7%      | —            | 8%      | —                     | —       | —            | —       | — |
|                |          | —       | —      | PE[15]                 | 7%      | 9%           | 8%      | 8%                    | —       | —            | —       | — |
|                | —        | —       | PG[10] | 6%                     | —       | 8%           | —       | —                     | —       | —            | —       |   |
| —              | —        | PG[11]  | 6%     | 9%                     | 7%      | 8%           | —       | —                     | —       | —            |         |   |
| 3              | 2        | PC[3]   | 6%     | —                      | 7%      | —            | 7%      | —                     | 9%      | —            |         |   |
|                |          | PC[2]   | 6%     | 8%                     | 7%      | 7%           | 6%      | 9%                    | 8%      | 8%           |         |   |



Table 24. I/O weight<sup>(1)</sup> (continued)

| Supply segment |          |         | Pad    | LQFP144/LQFP100        |         |              |         | LQFP64 <sup>(2)</sup> |         |              |         |   |
|----------------|----------|---------|--------|------------------------|---------|--------------|---------|-----------------------|---------|--------------|---------|---|
|                |          |         |        | Weight 5 V             |         | Weight 3.3 V |         | Weight 5 V            |         | Weight 3.3 V |         |   |
| LQFP 144       | LQFP 100 | LQFP 64 |        | SRC <sup>(3)</sup> = 0 | SRC = 1 | SRC = 0      | SRC = 1 | SRC = 0               | SRC = 1 | SRC = 0      | SRC = 1 |   |
| 3              | 3        | 2       | PA[5]  | 5%                     | 7%      | 6%           | 6%      | 6%                    | 8%      | 7%           | 7%      |   |
|                |          |         | PA[6]  | 5%                     | —       | 6%           | —       | 5%                    | —       | 6%           | —       |   |
|                |          |         | PH[10] | 4%                     | 6%      | 5%           | 5%      | 5%                    | 7%      | 6%           | 6%      |   |
|                |          |         | PC[1]  | 5%                     | —       | 5%           | —       | 5%                    | —       | 5%           | —       |   |
| 4              | 4        | 3       | PC[0]  | 6%                     | 9%      | 7%           | 8%      | 6%                    | 9%      | 7%           | 8%      |   |
|                |          |         | PH[9]  | 7                      | 7       | 8            | 8       | 7                     | 7       | 8            | 8       |   |
|                |          | —       | PE[2]  | 7%                     | 10%     | 9%           | 9%      | —                     | —       | —            | —       |   |
|                |          | —       | PE[3]  | 8%                     | 11%     | 9%           | 9%      | —                     | —       | —            | —       |   |
|                |          | 3       | PC[5]  | 8%                     | 11%     | 9%           | 10%     | 8%                    | 11%     | 9%           | 10%     |   |
|                |          |         | PC[4]  | 8%                     | 12%     | 10%          | 10%     | 8%                    | 12%     | 10%          | 10%     |   |
|                |          | —       | PE[4]  | 8%                     | 12%     | 10%          | 11%     | —                     | —       | —            | —       |   |
|                |          | —       | PE[5]  | 9%                     | 12%     | 10%          | 11%     | —                     | —       | —            | —       |   |
|                | —        | —       | PH[4]  | 9%                     | 13%     | 11%          | 11%     | —                     | —       | —            | —       |   |
|                | —        | —       | PH[5]  | 9%                     | —       | 11%          | —       | —                     | —       | —            | —       |   |
|                | —        | —       | PH[6]  | 9%                     | 13%     | 11%          | 12%     | —                     | —       | —            | —       |   |
|                | —        | —       | PH[7]  | 9%                     | 13%     | 11%          | 12%     | —                     | —       | —            | —       |   |
|                | —        | —       | PH[8]  | 10%                    | 14%     | 11%          | 12%     | —                     | —       | —            | —       |   |
|                | 4        | 4       | —      | PE[6]                  | 10%     | 14%          | 12%     | 12%                   | —       | —            | —       | — |
|                |          |         | —      | PE[7]                  | 10%     | 14%          | 12%     | 12%                   | —       | —            | —       | — |
|                |          |         | —      | PC[12]                 | 10%     | 14%          | 12%     | 13%                   | —       | —            | —       | — |
| —              |          |         | PC[13] | 10%                    | —       | 12%          | —       | —                     | —       | —            | —       |   |
| 3              |          | PC[8]   | 10%    | —                      | 12%     | —            | 10%     | —                     | 12%     | —            |         |   |
|                |          | PB[2]   | 10%    | 15%                    | 12%     | 13%          | 10%     | 15%                   | 12%     | 13%          |         |   |

1.  $V_{DD} = 3.3\text{ V} \pm 10\% / 5.0\text{ V} \pm 10\%$ ,  $T_A = -40$  to  $125\text{ }^\circ\text{C}$ , unless otherwise specified
2. All LQFP64 information is indicative and must be confirmed during silicon validation.
3. SRC: "Slew Rate Control" bit in SIU\_PCR

### 3.16 RESET electrical characteristics

The device implements a dedicated bidirectional RESET pin.

Figure 7. Start-up reset requirements



Figure 8. Noise filtering on reset signal



Table 25. Reset electrical characteristics

| Symbol          | C  | Parameter | Conditions <sup>(1)</sup>               | Value               |     |                      | Unit |
|-----------------|----|-----------|---|---------------------|-----|----------------------|------|
|                 |    |           |   | Min                 | Typ | Max                  |      |
| V <sub>IH</sub> | SR | P         | Input High Level CMOS (Schmitt Trigger) | 0.65V <sub>DD</sub> | —   | V <sub>DD</sub> +0.4 | V    |
| V <sub>IL</sub> | SR | P         | Input low Level CMOS (Schmitt Trigger)  | -0.4                | —   | 0.35V <sub>DD</sub>  | V    |

Table 25. Reset electrical characteristics (continued)

| Symbol             | C  | Parameter | Conditions <sup>(1)</sup>                        | Value   |                    |     | Unit               |    |
|--------------------|----|-----------|--|---|--------------------|-----|--------------------|----|
|                    |    |           |  | Min   | Typ                | Max |                    |    |
| V <sub>HYS</sub>   | CC | C         | Input hysteresis CMOS (Schmitt Trigger)          | —   | 0.1V <sub>DD</sub> | —   | V                  |    |
| V <sub>OL</sub>    | CC | P         | Output low level                                 | Push Pull, I <sub>OL</sub> = 2mA, V <sub>DD</sub> = 5.0 V ± 10%, PAD3V5V = 0 (recommended)  | —                  | —   | 0.1V <sub>DD</sub> | V  |
|                    |    | C         | Output low level                                 | Push Pull, I <sub>OL</sub> = 1mA, V <sub>DD</sub> = 5.0 V ± 10%, PAD3V5V = 1 <sup>(2)</sup> | —                  | —   | 0.1V <sub>DD</sub> |    |
|                    |    | C         | Output low level                                 | Push Pull, I <sub>OL</sub> = 1mA, V <sub>DD</sub> = 3.3 V ± 10%, PAD3V5V = 1 (recommended)  | —                  | —   | 0.5                |    |
| t <sub>tr</sub>    | CC | D         | Output transition time output pin <sup>(3)</sup> | C <sub>L</sub> = 25pF, V <sub>DD</sub> = 5.0 V ± 10%, PAD3V5V = 0                           | —                  | —   | 10                 | ns |
|                    |    |           |  | C <sub>L</sub> = 50pF, V <sub>DD</sub> = 5.0 V ± 10%, PAD3V5V = 0                           | —                  | —   | 20                 |    |
|                    |    |           |  | C <sub>L</sub> = 100pF, V <sub>DD</sub> = 5.0 V ± 10%, PAD3V5V = 0                          | —                  | —   | 40                 |    |
|                    |    |           |  | C <sub>L</sub> = 25pF, V <sub>DD</sub> = 3.3 V ± 10%, PAD3V5V = 1                           | —                  | —   | 12                 |    |
|                    |    |           |  | C <sub>L</sub> = 50pF, V <sub>DD</sub> = 3.3 V ± 10%, PAD3V5V = 1                           | —                  | —   | 25                 |    |
|                    |    |           |  | C <sub>L</sub> = 100pF, V <sub>DD</sub> = 3.3 V ± 10%, PAD3V5V = 1                          | —                  | —   | 40                 |    |
| W <sub>FRST</sub>  | SR | P         | RESET input filtered pulse                       | —   | —                  | 40  | ns                 |    |
| W <sub>NFRST</sub> | SR | P         | RESET input not filtered pulse                   | —   | 1000               | —   | ns                 |    |
| I <sub>WPUL</sub>  | CC | P         | Weak pull-up current absolute value              | V <sub>DD</sub> = 3.3 V ± 10%, PAD3V5V = 1  | 10                 | —   | 150                | μA |
|                    |    | D         |  | V <sub>DD</sub> = 5.0 V ± 10%, PAD3V5V = 0  | 10                 | —   | 150                |    |
|                    |    | P         |  | V <sub>DD</sub> = 5.0 V ± 10%, PAD3V5V = 1 <sup>(2)</sup>                                   | 10                 | —   | 250                |    |

1. V<sub>DD</sub> = 3.3 V ± 10% / 5.0 V ± 10%, T<sub>A</sub> = -40 to 125 °C, unless otherwise specified

2. This transient configuration does not occurs when device is used in the V<sub>DD</sub> = 3.3 V ± 10% range.

3. C<sub>L</sub> includes device and package capacitance (C<sub>PKG</sub> < 5 pF).

## 3.17 Power management electrical characteristics

### 3.17.1 Voltage regulator electrical characteristics

The device implements an internal voltage regulator to generate the low voltage core supply  $V_{DD\_LV}$  from the high voltage ballast supply  $V_{DD\_BV}$ . The regulator itself is supplied by the common I/O supply  $V_{DD}$ . The following supplies are involved:

- HV—High voltage external power supply for voltage regulator module. This must be provided externally through VDD\_HV power pin.
- BV—High voltage external power supply for internal ballast module. This must be provided externally through VDD\_BV power pin. Voltage values should be aligned with  $V_{DD}$ .
- LV—Low voltage internal power supply for core, FMPLL and flash digital logic. This is generated by the internal voltage regulator but provided outside to connect stability capacitor. It is further split into four main domains to ensure noise isolation between critical LV modules within the device:
  - LV\_COR—Low voltage supply for the core. It is also used to provide supply for FMPLL through double bonding.
  - LV\_CFLA—Low voltage supply for code flash module. It is supplied with dedicated ballast and shorted to LV\_COR through double bonding.
  - LV\_DFLA—Low voltage supply for data flash module. It is supplied with dedicated ballast and shorted to LV\_COR through double bonding.
  - LV\_PLL—Low voltage supply for FMPLL. It is shorted to LV\_COR through double bonding.

Figure 9. Voltage regulator capacitance connection



The internal voltage regulator requires external capacitance ( $C_{REGn}$ ) to be connected to the device in order to provide a stable low voltage digital supply to the device. Capacitances should be placed on the board as near as possible to the associated pins. Care should also be taken to limit the serial inductance of the board to less than 5 nH.

Each decoupling capacitor must be placed between each of the three  $V_{DD\_LV}/V_{SS\_LV}$  supply pairs to ensure stable voltage (see [Section 3.13: Recommended operating conditions](#)).

The internal voltage regulator requires a controlled slew rate of both  $V_{DD\_HV}$  and  $V_{DD\_BV}$  as described in [Figure 10](#).

Figure 10.  $V_{DD\_HV}$  and  $V_{DD\_BV}$  maximum slope



When STANDBY mode is used, further constraints are applied to the both  $V_{DD\_HV}$  and  $V_{DD\_BV}$  in order to guarantee correct regulator function during STANDBY exit. This is described on [Figure 11](#).

STANDBY regulator constraints should normally be guaranteed by implementing equivalent of CSTDBY capacitance on application board (capacitance and ESR typical values), but would actually depend on exact characteristics of application external regulator.

Figure 11.  $V_{DD\_HV}$  and  $V_{DD\_BV}$  supply constraints during STANDBY mode exit



Table 26. Voltage regulator electrical characteristics

| Symbol                                     | C  | Parameter | Conditions <sup>(1)</sup>                                   | Value  |                    |                    | Unit |             |
|--|----|-----------|---|--|--------------------|--------------------|------|-------------|
|  |    |           |   | Min  | Typ                | Max                |      |             |
| $C_{REGn}$                                 | SR | —         | Internal voltage regulator external capacitance             | —  | 200                | —                  | 500  | nF          |
| $R_{REG}$                                  | SR | —         | Stability capacitor equivalent serial resistance            | Range:<br>10 kHz to 20 MHz   | —                  | —                  | 0.2  | W           |
| $C_{DEC1}$                                 | SR | —         | Decoupling capacitance <sup>(2)</sup> ballast               | $V_{DD\_BV}/V_{SS\_LV}$ pair:<br>$V_{DD\_BV} = 4.5\text{ V to }5.5\text{ V}$ | 100 <sup>(3)</sup> | 470 <sup>(4)</sup> | —    | nF          |
|  |    |           |   | $V_{DD\_BV}/V_{SS\_LV}$ pair:<br>$V_{DD\_BV} = 3\text{ V to }3.6\text{ V}$   | 400                |                    | —    |             |
| $C_{DEC2}$                                 | SR | —         | Decoupling capacitance regulator supply                     | $V_{DD}/V_{SS}$ pair   | 10                 | 100                | —    | nF          |
| $\left  \frac{dV_{DD}}{dt} \right $        | SR | —         | Maximum slope on $V_{DD}$                                   |  | —                  | —                  | 250  | mV/ $\mu$ s |
| $ \Delta V_{DD}(STDBY) $                   | SR | —         | Maximum instant variation on $V_{DD}$ during standby exit   |  | —                  | —                  | 30   | mV          |
| $\left  \frac{dV_{DD}(STDBY)}{dt} \right $ | SR | —         | Maximum slope on $V_{DD}$ during standby exit               |  | —                  | —                  | 15   | mV/ $\mu$ s |
| $V_{MREG}$                                 | CC | T         | Main regulator output voltage                               | Before exiting from reset  | —                  | 1.32               | —    | V           |
|  |    | P         |   | After trimming   | 1.16               | 1.28               | —    |             |
| $I_{MREG}$                                 | SR | —         | Main regulator current provided to $V_{DD\_LV}$ domain      | —  | —                  | —                  | 150  | mA          |
| $I_{MREGINT}$                              | CC | D         | Main regulator module current consumption                   | $I_{MREG} = 200\text{ mA}$   | —                  | —                  | 2    | mA          |
|  |    |           |   | $I_{MREG} = 0\text{ mA}$   | —                  | —                  | 1    |             |
| $V_{LPREG}$                                | CC | P         | Low power regulator output voltage                          | After trimming   | 1.16               | 1.28               | —    | V           |
| $I_{LPREG}$                                | SR | —         | Low power regulator current provided to $V_{DD\_LV}$ domain | —  | —                  | —                  | 15   | mA          |
| $I_{LPREGINT}$                             | CC | D         | Low power regulator module current consumption              | $I_{LPREG} = 15\text{ mA};$<br>$T_A = 55\text{ }^\circ\text{C}$              | —                  | —                  | 600  | $\mu$ A     |
|  |    | —         |   | $I_{LPREG} = 0\text{ mA};$<br>$T_A = 55\text{ }^\circ\text{C}$               | —                  | 5                  | —    |             |
| $V_{ULPREG}$                               | CC | P         | Ultra low power regulator output voltage                    | After trimming   | 1.16               | 1.28               | —    | V           |

**Table 26. Voltage regulator electrical characteristics (continued)**

| Symbol                 | C  | Parameter | Conditions <sup>(1)</sup>  | Value   |     |                    | Unit |    |
|------------------------|----|-----------|--|---|-----|--------------------|------|----|
|                        |    |           |  | Min   | Typ | Max                |      |    |
| I <sub>ULPREG</sub>    | SR | —         | Ultra low power regulator current provided to V <sub>DD_LV</sub> domain      | —   | —   | 5                  | mA   |    |
| I <sub>ULPREGINT</sub> | CC | D         | Ultra low power regulator module current consumption                         | I <sub>ULPREG</sub> = 5 mA;<br>T <sub>A</sub> = 55 °C | —   | —                  | 100  | µA |
|                        |    |           |  | I <sub>ULPREG</sub> = 0 mA;<br>T <sub>A</sub> = 55 °C | —   | 2                  | —    |    |
| I <sub>DD_BV</sub>     | CC | D         | In-rush average current on V <sub>DD_BV</sub> during power-up <sup>(5)</sup> | —   | —   | 300 <sup>(6)</sup> | mA   |    |

- V<sub>DD</sub> = 3.3 V ± 10% / 5.0 V ± 10%, T<sub>A</sub> = -40 to 125 °C, unless otherwise specified
- This capacitance value is driven by the constraints of the external voltage regulator supplying the V<sub>DD\_BV</sub> voltage. A typical value is in the range of 470 nF.
- This value is acceptable to guarantee operation from 4.5 V to 5.5 V
- External regulator and capacitance circuitry must be capable of providing I<sub>DD\_BV</sub> while maintaining supply V<sub>DD\_BV</sub> in operating range.
- In-rush average current is seen only for short time (maximum 20 µs) during power-up and on standby exit. It is dependant on the sum of the C<sub>REGn</sub> capacitances.
- The duration of the in-rush current depends on the capacitance placed on LV pins. BV decoupling capacitors must be sized accordingly. Refer to I<sub>MREG</sub> value for minimum amount of current to be provided in cc.

The |ΔV<sub>DD</sub>(STDBY)| and dV<sub>DD</sub>(STDBY)/dt system requirement can be used to define the component used for the V<sub>DD</sub> supply generation. The following two examples describe how to calculate capacitance size:

**Example 1** No regulator (worst case)

The |ΔV<sub>DD</sub>(STDBY)| parameter can be seen as the V<sub>DD</sub> voltage drop through the ESR resistance of the regulator stability capacitor when the I<sub>DD\_BV</sub> current required to load V<sub>DD\_LV</sub> domain during the standby exit. It is thus possible to define the maximum equivalent resistance ESR<sub>STDBY</sub>(MAX) of the total capacitance on the V<sub>DD</sub> supply:

$$ESR_{STDBY}(MAX) = |\Delta V_{DD}(STDBY)| / I_{DD\_BV} = (30 \text{ mV}) / (300 \text{ mA}) = 0.1 \Omega \text{ (d)}$$

The dV<sub>DD</sub>(STDBY)/dt parameter can be seen as the V<sub>DD</sub> voltage drop at the capacitance pin (excluding ESR drop) while providing the I<sub>DD\_BV</sub> supply required to load V<sub>DD\_LV</sub> domain during the standby exit. It is thus possible to define the minimum equivalent capacitance C<sub>STDBY</sub>(MIN) of the total capacitance on the V<sub>DD</sub> supply:

$$C_{STDBY}(MIN) = I_{DD\_BV} / dV_{DD}(STDBY)/dt = (300 \text{ mA}) / (15 \text{ mV}/\mu\text{s}) = 20 \mu\text{F}$$

This configuration is a worst case, with the assumption no regulator is available.

**Example 2** Simplified regulator

The regulator should be able to provide significant amount of the current during the standby exit process. For example, in case of an ideal voltage regulator providing 200 mA current, it is possible to recalculate the equivalent ESR<sub>STDBY</sub>(MAX) and C<sub>STDBY</sub>(MIN) as follows:

d. Based on typical time for standby exit sequence of 20 µs, ESR(MIN) can actually be considered at ~50 kHz.



$$ESR_{STDBY}(MAX) = |\Delta V_{DD}(STDBY)| / (I_{DD\_BV} - 200 \text{ mA}) = (30 \text{ mV}) / (100 \text{ mA}) = 0.3 \Omega$$

$$C_{STDBY}(MIN) = (I_{DD\_BV} - 200 \text{ mA}) / dV_{DD}(STDBY) / dt = (300 \text{ mA} - 200 \text{ mA}) / (15 \text{ mV} / \mu\text{s}) = 6.7 \mu\text{F}$$

In case optimization is required,  $C_{STDBY}(MIN)$  and  $ESR_{STDBY}(MAX)$  should be calculated based on the regulator characteristics as well as the board  $V_{DD}$  plane characteristics.

### 3.17.2 Low voltage detector electrical characteristics

The device implements a Power-on Reset (POR) module to ensure correct power-up initialization, as well as four low voltage detectors (LVDs) to monitor the  $V_{DD}$  and the  $V_{DD\_LV}$  voltage while device is supplied:

- POR monitors  $V_{DD}$  during the power-up phase to ensure device is maintained in a safe reset state (refer to RGM Destructive Event Status (RGM\_DES) Register flag F\_POR in device reference manual)
- LVDHV3 monitors  $V_{DD}$  to ensure device reset below minimum functional supply (refer to RGM Destructive Event Status (RGM\_DES) Register flag F\_LVD27 in device reference manual)
- LVDHV5 monitors  $V_{DD}$  when application uses device in the  $5.0 \text{ V} \pm 10\%$  range (refer to RGM Functional Event Status (RGM\_FES) Register flag F\_LVD45 in device reference manual)
- LVDLVCOR monitors power domain No. 1 (refer to RGM Destructive Event Status (RGM\_DES) Register flag F\_LVD12\_PD1 in device reference manual)
- LVDLVBKP monitors power domain No. 0 (refer to RGM Destructive Event Status (RGM\_DES) Register flag F\_LVD12\_PD0 in device reference manual)

*Note:* When enabled, power domain No. 2 is monitored through LVDLVBKP.

**Figure 12. Low voltage detector vs reset**



*Note:* [Figure 12: Low voltage detector vs reset](#) does not apply to LVDHV5 low voltage detector because LVDHV5 is automatically disabled during reset and it must be enabled by software again. Once the device is forced to reset by LVDHV5, the LVDHV5 is disabled and reset is

released as soon as internal reset sequence is completed regardless of LVDHV5H threshold.

**Table 27. Low voltage detector electrical characteristics**

| Symbol                 | C  | Parameter | Conditions <sup>(1)</sup>                   | Value                                  |     |     | Unit |   |
|------------------------|----|-----------|---|--|-----|-----|------|---|
|                        |    |           |   | Min                                    | Typ | Max |      |   |
| V <sub>PORUP</sub>     | SR | P         | Supply for functional POR module            | —                                      | 1.0 | —   | 5.5  | V |
| V <sub>PORH</sub>      | CC | P         | Power-on reset threshold                    | T <sub>A</sub> = 25 °C, after trimming | 1.5 | —   | 2.6  |   |
|                        |    |           |   | T                                      | —   | 1.5 | —    |   |
| V <sub>LVDHV3H</sub>   | CC | T         | LVDHV3 low voltage detector high threshold  | —                                      | —   | —   | 2.95 |   |
| V <sub>LVDHV3L</sub>   | CC | P         | LVDHV3 low voltage detector low threshold   | —                                      | —   | —   | 2.9  |   |
| V <sub>LVDHV5H</sub>   | CC | T         | LVDHV5 low voltage detector high threshold  | —                                      | —   | —   | 4.5  |   |
| V <sub>LVDHV5L</sub>   | CC | P         | LVDHV5 low voltage detector low threshold   | —                                      | —   | —   | 4.4  |   |
| V <sub>LVDLVCORL</sub> | CC | P         | LVDLVCOR low voltage detector low threshold | —                                      | —   | —   | 1.08 |   |
| V <sub>LVDLVBKPL</sub> | CC | P         | LVDLVBKP low voltage detector low threshold | —                                      | —   | —   | 1.16 |   |

1. V<sub>DD</sub> = 3.3 V ± 10% / 5.0 V ± 10%, T<sub>A</sub> = -40 to 125 °C, unless otherwise specified

### 3.18 Power consumption

Table 28 provides DC electrical characteristics for significant application modes. These values are indicative values; actual consumption depends on the application.

**Table 28. Power consumption on VDD\_BV and VDD\_HV**

| Symbol                            | C  | Parameter | Conditions <sup>(1)</sup>                       | Value   |                         |                    | Unit |    |    |
|-----------------------------------|----|-----------|---|---|-------------------------|--------------------|------|----|----|
|                                   |    |           |   | Min   | Typ                     | Max                |      |    |    |
| I <sub>DDMAX</sub> <sup>(2)</sup> | CC | D         | RUN mode maximum average current                | —   | 115                     | 140 <sup>(3)</sup> | mA   |    |    |
| I <sub>DDRUN</sub> <sup>(4)</sup> | CC | T         | RUN mode typical average current <sup>(5)</sup> | f <sub>CPU</sub> = 8 MHz                      | —                       | 7                  | —    | mA |    |
|                                   |    |           |   | f <sub>CPU</sub> = 16 MHz                     | —                       | 18                 | —    |    |    |
|                                   |    |           |   | f <sub>CPU</sub> = 32 MHz                     | —                       | 29                 | —    |    |    |
|                                   |    |           |   | f <sub>CPU</sub> = 48 MHz                     | —                       | 40                 | 100  |    |    |
|                                   |    |           |   | f <sub>CPU</sub> = 64 MHz                     | —                       | 51                 | 125  |    |    |
| I <sub>DDHALT</sub>               | CC | C         | HALT mode current <sup>(6)</sup>                | Slow internal RC oscillator (128 kHz) running | T <sub>A</sub> = 25 °C  | —                  | 8    | 15 | mA |
|                                   |    |           |   |   | T <sub>A</sub> = 125 °C | —                  | 14   | 25 |    |

Table 28. Power consumption on VDD\_BV and VDD\_HV (continued)

| Symbol                | C  | Parameter                             | Conditions <sup>(1)</sup>                     | Value                   |     |     | Unit               |    |
|-----------------------|----|---------------------------------------|---|-------------------------|-----|-----|--------------------|----|
|                       |    |                                       |   | Min                     | Typ | Max |                    |    |
| I <sub>DDSTOP</sub>   | CC | STOP mode current <sup>(7)</sup>      | Slow internal RC oscillator (128 kHz) running | T <sub>A</sub> = 25 °C  | —   | 180 | 700 <sup>(8)</sup> | μA |
|                       |    |                                       |   | T <sub>A</sub> = 55 °C  | —   | 500 | —                  |    |
|                       |    |                                       |   | T <sub>A</sub> = 85 °C  | —   | 1   | 6 <sup>(8)</sup>   | mA |
|                       |    |                                       |   | T <sub>A</sub> = 105 °C | —   | 2   | 9 <sup>(8)</sup>   |    |
|                       |    |                                       |   | T <sub>A</sub> = 125 °C | —   | 4.5 | 12 <sup>(8)</sup>  |    |
| I <sub>DDSTDBY2</sub> | CC | STANDBY2 mode current <sup>(9)</sup>  | Slow internal RC oscillator (128 kHz) running | T <sub>A</sub> = 25 °C  | —   | 30  | 100                | μA |
|                       |    |                                       |   | T <sub>A</sub> = 55 °C  | —   | 75  | —                  |    |
|                       |    |                                       |   | T <sub>A</sub> = 85 °C  | —   | 180 | 700                |    |
|                       |    |                                       |   | T <sub>A</sub> = 105 °C | —   | 315 | 1000               |    |
|                       |    |                                       |   | T <sub>A</sub> = 125 °C | —   | 560 | 1700               |    |
| I <sub>DDSTDBY1</sub> | CC | STANDBY1 mode current <sup>(10)</sup> | Slow internal RC oscillator (128 kHz) running | T <sub>A</sub> = 25 °C  | —   | 20  | 60                 | μA |
|                       |    |                                       |   | T <sub>A</sub> = 55 °C  | —   | 45  | —                  |    |
|                       |    |                                       |   | T <sub>A</sub> = 85 °C  | —   | 100 | 350                |    |
|                       |    |                                       |   | T <sub>A</sub> = 105 °C | —   | 165 | 500                |    |
|                       |    |                                       |   | T <sub>A</sub> = 125 °C | —   | 280 | 900                |    |

- V<sub>DD</sub> = 3.3 V ± 10% / 5.0 V ± 10%, T<sub>A</sub> = -40 to 125 °C, unless otherwise specified
- I<sub>DDMAX</sub> is drawn only from the V<sub>DD\_BV</sub> pin. Running consumption does not include I/Os toggling which is highly dependent on the application. The given value is thought to be a worst case value with all peripherals running, and code fetched from code flash while modify operation ongoing on data flash. Notice that this value can be significantly reduced by application: switch off not used peripherals (default), reduce peripheral frequency through internal prescaler, fetch from RAM most used functions, use low power mode when possible.
- Higher current may be sinked by device during power-up and standby exit. Please refer to in rush current on [Table 26](#).
- I<sub>DDRUN</sub> is drawn only from the V<sub>DD\_BV</sub> pin. RUN current measured with typical application with accesses on both flash and RAM.
- Only for the "P" classification: Data and Code Flash in Normal Power. Code fetched from RAM: Serial IPs CAN and LIN in loop back mode, DSPI as Master, PLL as system Clock (4 x Multiplier) peripherals on (eMIOS/CTU/ADC) and running at max frequency, periodic SW/WDG timer reset enabled.
- Data Flash Power Down. Code Flash in Low Power. SIRC (128 kHz) and FIRC (16 MHz) on. 10 MHz XTAL clock. FlexCAN: instances: 0, 1, 2 ON (clocked but not reception or transmission), instances: 4, 5, 6 clock gated. LINFlex: instances: 0, 1, 2 ON (clocked but not reception or transmission), instance: 3 clock gated. eMIOS: instance: 0 ON (16 channels on PA[0]–PA[11] and PC[12]–PC[15]) with PWM 20 kHz, instance: 1 clock gated. DSPI: instance: 0 (clocked but no communication). RTC/API ON. PIT ON. STM ON. ADC ON but not conversion except 2 analog watchdog.
- Only for the "P" classification: No clock, FIRC (16 MHz) off, SIRC (128 kHz) on, PLL off, HPVreg off, ULPVreg/LPVreg on. All possible peripherals off and clock gated. Flash in power down mode.
- When going from RUN to STOP mode and the core consumption is > 6 mA, it is normal operation for the main regulator module to be kept on by the on-chip current monitoring circuit. This is most likely to occur with junction temperatures exceeding 125 °C and under these circumstances, it is possible for the current to initially exceed the maximum STOP specification by up to 2 mA. After entering stop, the application junction temperature will reduce to the ambient level and the main regulator will be automatically switched off when the load current is below 6 mA.
- Only for the "P" classification: ULPreg on, HP/LPVreg off, 32 KB RAM on, device configured for minimum consumption, all possible modules switched off.
- ULPreg on, HP/LPVreg off, 8 KB RAM on, device configured for minimum consumption, all possible modules switched off.

### 3.19 Flash memory electrical characteristics

#### 3.19.1 Program/Erase characteristics

Table 29 shows the program and erase characteristics.

**Table 29. Program and erase specifications**

| Symbol                   | C    | Parameter   | Value |                    |                            |                    | Unit |
|--------------------------|------|---|-------|--------------------|----------------------------|--------------------|------|
|                          |      |   | Min   | Typ <sup>(1)</sup> | Initial max <sup>(2)</sup> | Max <sup>(3)</sup> |      |
| T <sub>dwprogram</sub>   |      | Double word (64 bits) program time <sup>(4)</sup> | —     | 22                 | 50                         | 500                | µs   |
| T <sub>16Kpperase</sub>  | CC C | 16 KB block preprogram and erase time             | —     | 300                | 500                        | 5000               | ms   |
| T <sub>32Kpperase</sub>  |      | 32 KB block preprogram and erase time             | —     | 400                | 600                        | 5000               | ms   |
| T <sub>128Kpperase</sub> |      | 128 KB block preprogram and erase time            | —     | 800                | 1300                       | 7500               | ms   |
| T <sub>esus</sub>        | CC D | Erase suspend latency                             | —     | —                  | 30                         | 30                 | µs   |

1. Typical program and erase times assume nominal supply values and operation at 25 °C.
2. Initial factory condition: < 100 program/erase cycles, 25 °C, typical supply voltage.
3. The maximum program and erase times occur after the specified number of program/erase cycles. These maximum values are characterized but not guaranteed.
4. Actual hardware programming times. This does not include software overhead.

**Table 30. Flash module life**

| Symbol    | C    | Parameter   | Conditions                          | Value  |        |     | Unit   |
|-----------|------|---|-------------------------------------|--------|--------|-----|--------|
|           |      |   |                                     | Min    | Typ    | Max |        |
| P/E       | CC C | Number of program/erase cycles per block over the operating temperature range (T <sub>J</sub> ) | 16 KB blocks                        | 100000 | —      | —   | cycles |
|           |      |   | 32 KB blocks                        | 10000  | 100000 | —   |        |
|           |      |   | 128 KB blocks                       | 1000   | 100000 | —   |        |
| Retention | CC C | Minimum data retention at 85 °C average ambient temperature <sup>(1)</sup>                      | Blocks with 0–1000 P/E cycles       | 20     | —      | —   | years  |
|           |      |   | Blocks with 1001–10000 P/E cycles   | 10     | —      | —   |        |
|           |      |   | Blocks with 10001–100000 P/E cycles | 5      | —      | —   |        |

1. Ambient temperature averaged over duration of application, not to exceed recommended product operating temperature range.

ECC circuitry provides correction of single bit faults and is used to improve further automotive reliability results. Some units will experience single bit corrections throughout the life of the product with no impact to product reliability.

Table 31. Flash read access timing

| Symbol            |    | C | Parameter                           | Conditions <sup>(1)</sup> | Max | Unit |
|-------------------|----|---|-------------------------------------|---------------------------|-----|------|
| f <sub>READ</sub> | CC | P | Maximum frequency for Flash reading | 2 wait states             | 64  | MHz  |
|                   |    | C |                                     | 1 wait state              | 40  |      |
|                   |    | C |                                     | 0 wait states             | 20  |      |

1. V<sub>DD</sub> = 3.3 V ± 10% / 5.0 V ± 10%, T<sub>A</sub> = -40 to 125 °C, unless otherwise specified

### 3.19.2 Flash power supply DC characteristics

Table 32 shows the power supply DC characteristics on external supply.

Table 32. Flash memory power supply DC electrical characteristics

| Symbol                            | C  | Parameter | Conditions <sup>(1)</sup>  | Value   |     |     | Unit |    |
|-----------------------------------|----|-----------|--|---|-----|-----|------|----|
|                                   |    |           |  | Min   | Typ | Max |      |    |
| I <sub>FREAD</sub> <sup>(2)</sup> | CC | D         | Sum of the current consumption on VDD_HV and VDD_BV on read access                         | Code flash memory module read<br>f <sub>CPU</sub> = 64 MHz <sup>(3)</sup>                                   | —   | 15  | 33   | mA |
|                                   |    |           |  | Data flash memory module read<br>f <sub>CPU</sub> = 64 MHz <sup>(3)</sup>                                   | —   | 15  | 33   |    |
| I <sub>FMOD</sub> <sup>(2)</sup>  | CC | D         | Sum of the current consumption on VDD_HV and VDD_BV on matrix modification (program/erase) | Program/Erase ongoing while reading code flash memory registers<br>f <sub>CPU</sub> = 64 MHz <sup>(3)</sup> | —   | 15  | 33   | mA |
|                                   |    |           |  | Program/Erase ongoing while reading data flash memory registers<br>f <sub>CPU</sub> = 64 MHz <sup>(3)</sup> | —   | 15  | 33   |    |
| I <sub>FLPW</sub>                 | CC | D         | Sum of the current consumption on VDD_HV and VDD_BV  | During code flash memory low-power mode   | —   | —   | 900  | µA |
|                                   |    |           |  | During data flash memory low-power mode   | —   | —   | 900  |    |
| I <sub>FPWD</sub>                 | CC | D         | Sum of the current consumption on VDD_HV and VDD_BV  | During code flash memory power-down mode  | —   | —   | 150  | µA |
|                                   |    |           |  | During data flash memory power-down mode  | —   | —   | 150  |    |

1. V<sub>DD</sub> = 3.3 V ± 10% / 5.0 V ± 10%, T<sub>A</sub> = -40 to 125 °C, unless otherwise specified

2. This value is only relative to the actual duration of the read cycle

3. f<sub>CPU</sub> 64 MHz can be achieved only at up to 105 °C

### 3.19.3 Start-up/Switch-off timings

Table 33. Start-up time/Switch-off time

| Symbol                  | C  | Parameter                                       | Conditions <sup>(1)</sup> | Value |     |     | Unit |
|-------------------------|----|---|---------------------------|-------|-----|-----|------|
|                         |    |   |                           | Min   | Typ | Max |      |
| T <sub>FLARSTEXIT</sub> | CC | Delay for Flash module to exit reset mode       | Code Flash                | —     | —   | 125 | μs   |
|                         |    |   | Data Flash                | —     | —   | 125 |      |
| T <sub>FLALPEXIT</sub>  | CC | Delay for Flash module to exit low-power mode   | Code Flash                | —     | —   | 0.5 |      |
|                         |    |   | Data Flash                | —     | —   | 0.5 |      |
| T <sub>FLAPDEXIT</sub>  | CC | Delay for Flash module to exit power-down mode  | Code Flash                | —     | —   | 30  |      |
|                         |    |   | Data Flash                | —     | —   | 30  |      |
| T <sub>FLALPENTRY</sub> | CC | Delay for Flash module to enter low-power mode  | Code Flash                | —     | —   | 0.5 |      |
|                         |    |   | Data Flash                | —     | —   | 0.5 |      |
| T <sub>FLAPDENTRY</sub> | CC | Delay for Flash module to enter power-down mode | Code Flash                | —     | —   | 1.5 |      |
|                         |    |   | Data Flash                | —     | —   | 1.5 |      |

1. V<sub>DD</sub> = 3.3 V ± 10% / 5.0 V ± 10%, T<sub>A</sub> = -40 to 125 °C, unless otherwise specified

## 3.20 Electromagnetic compatibility (EMC) characteristics

Susceptibility tests are performed on a sample basis during product characterization.

### 3.20.1 Designing hardened software to avoid noise problems

EMC characterization and optimization are performed at component level with a typical application environment and simplified MCU software. It should be noted that good EMC performance is highly dependent on the user application and the software in particular.

Therefore it is recommended that the user apply EMC software optimization and prequalification tests in relation with the EMC level requested for his application.

- Software recommendations: The software flowchart must include the management of runaway conditions such as:
  - Corrupted program counter
  - Unexpected reset
  - Critical data corruption (control registers...)
- Prequalification trials: Most of the common failures (unexpected reset and program counter corruption) can be reproduced by manually forcing a low state on the reset pin or the oscillator pins for 1 second.

To complete these trials, ESD stress can be applied directly on the device. When unexpected behavior is detected, the software can be hardened to prevent unrecoverable errors occurring (see application note *Software Techniques For Improving Microcontroller EMC Performance (AN1015)*).

### 3.20.2 Electromagnetic interference (EMI)

The product is monitored in terms of emission based on a typical application. This emission test conforms to the IEC 61967-1 standard, which specifies the general conditions for EMI measurements.

**Table 34. EMI radiated emission measurement<sup>(1)(2)</sup>**

| Symbol             | C      | Parameter | Conditions            | Value  |                                   |     | Unit |      |      |
|--------------------|--------|-----------|-----------------------|--|-----------------------------------|-----|------|------|------|
|                    |        |           |                       | Min  | Typ                               | Max |      |      |      |
| —                  | S<br>R | —         | Scan range            | —  | 0.150                             | —   | 1000 | MHz  |      |
| f <sub>CPU</sub>   | S<br>R | —         | Operating frequency   | —  | 64                                | —   | —    | MHz  |      |
| V <sub>DD_LV</sub> | S<br>R | —         | LV operating voltages | —  | 1.28                              | —   | —    | V    |      |
| S <sub>EMI</sub>   | C<br>C | T         | Peak level            | V <sub>DD</sub> = 5 V, T <sub>A</sub> = 25 °C,<br>LQFP144 package<br>Test conforming to IEC<br>61967-2,<br>f <sub>OSC</sub> = 8 MHz/f <sub>CPU</sub> = 64<br>MHz | No PLL<br>frequency<br>modulation | —   | —    | 18   | dBμV |
|                    |        |           |                       | ±2% PLL<br>frequency<br>modulation   | —                                 | —   | 14   | dBμV |      |

1. EMI testing and I/O port waveforms per IEC 61967-1, -2, -4
2. For information on conducted emission and susceptibility measurement (norm IEC 61967-4), please contact your local marketing representative.

### 3.20.3 Absolute maximum ratings (electrical sensitivity)

Based on two different tests (ESD and LU) using specific measurement methods, the product is stressed in order to determine its performance in terms of electrical sensitivity.

#### 3.20.3.1 Electrostatic discharge (ESD)

Electrostatic discharges (a positive then a negative pulse separated by 1 second) are applied to the pins of each sample according to each pin combination. The sample size depends on the number of supply pins in the device (3 parts\*(n+1) supply pin). This test conforms to the AEC-Q100-002/-003/-011 standard. For more details, refer to the application note *Electrostatic Discharge Sensitivity Measurement* (AN1181).

**Table 35. ESD absolute maximum ratings<sup>(1) (2)</sup>**

| Symbol                | C  | Ratings | Conditions   | Class  | Max value | Unit                 |   |
|-----------------------|----|---------|--|--|-----------|----------------------|---|
| V <sub>ESD(HBM)</sub> | CC | T       | Electrostatic discharge voltage (Human Body Model)     | T <sub>A</sub> = 25 °C<br>conforming to AEC-Q100-002 | H1C       | 2000                 | V |
| V <sub>ESD(MM)</sub>  | CC | T       | Electrostatic discharge voltage (Machine Model)        | T <sub>A</sub> = 25 °C<br>conforming to AEC-Q100-003 | M2        | 200                  |   |
| V <sub>ESD(CDM)</sub> | CC | T       | Electrostatic discharge voltage (Charged Device Model) | T <sub>A</sub> = 25 °C<br>conforming to AEC-Q100-011 | C3A       | 500<br>750 (corners) |   |

1. All ESD testing is in conformity with CDF-AEC-Q100 Stress Test Qualification for Automotive Grade Integrated Circuits.

2. A device will be defined as a failure if after exposure to ESD pulses the device no longer meets the device specification requirements. Complete DC parametric and functional testing shall be performed per applicable device specification at room temperature followed by hot temperature, unless specified otherwise in the device specification.

### 3.20.3.2 Static latch-up (LU)

Two complementary static tests are required on six parts to assess the latch-up performance:

- A supply overvoltage is applied to each power supply pin.
- A current injection is applied to each input, output and configurable I/O pin.

These tests are compliant with the EIA/JESD 78 IC latch-up standard.

**Table 36. Latch-up results**

| Symbol |    | C | Parameter             | Conditions                                       | Class      |
|--------|----|---|-----------------------|--|------------|
| LU     | CC | T | Static latch-up class | T <sub>A</sub> = 125 °C<br>conforming to JESD 78 | II level A |

## 3.21 Fast external crystal oscillator (4 to 16 MHz) electrical characteristics

The device provides an oscillator/resonator driver. [Figure 13](#) describes a simple model of the internal oscillator driver and provides an example of a connection for an oscillator or a resonator.

[Table 37](#) provides the parameter description of 4 MHz to 16 MHz crystals used for the design simulations.



Figure 13. Crystal oscillator and resonator connection scheme

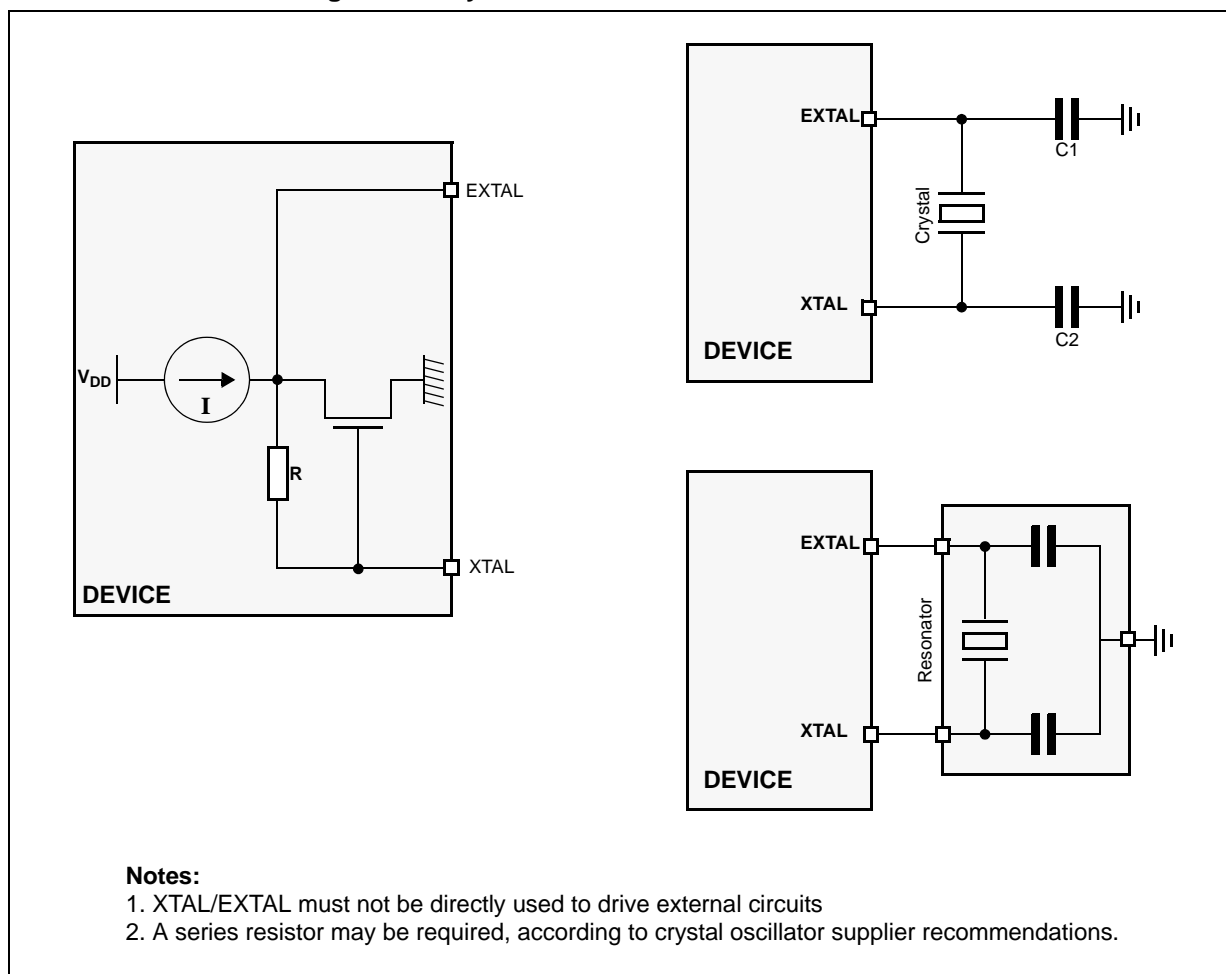


Table 37. Crystal description

| Nominal frequency (MHz) | NDK crystal reference | Crystal equivalent series resistance ESR $\Omega$ | Crystal motional capacitance ( $C_m$ ) fF | Crystal motional inductance ( $L_m$ ) mH | Load on xtalin/xtalout $C1 = C2$ (pF) <sup>(1)</sup> | Shunt capacitance between xtalout and xtalin $C0$ <sup>(2)</sup> (pF) |
|-------------------------|-----------------------|---|---|--|--|---|
| 4                       | NX8045GB              | 300   | 2.68                                      | 591.0                                    | 21   | 2.93  |
| 8                       | NX5032GA              | 300   | 2.46                                      | 160.7                                    | 17   | 3.01  |
| 10                      |                       | 150   | 2.93                                      | 86.6                                     | 15   | 2.91  |
| 12                      |                       | 120   | 3.11                                      | 56.5                                     | 15   | 2.93  |
| 16                      |                       | 120   | 3.90                                      | 25.3                                     | 10   | 3.00  |

1. The values specified for C1 and C2 are the same as used in simulations. It should be ensured that the testing includes all the parasitics (from the board, probe, crystal, etc.) as the AC / transient behavior depends upon them.
2. The value of C0 specified here includes 2 pF additional capacitance for parasitics (to be seen with bond-pads, package, etc.).

Figure 14. Fast external crystal oscillator (4 to 16 MHz) timing diagram



Table 38. Fast external crystal oscillator (4 to 16 MHz) electrical characteristics

| Symbol                            | C  | Parameter                                  | Conditions <sup>(1)</sup>  | Value   |      |      | Unit |    |
|-----------------------------------|----|--|--|---|------|------|------|----|
|                                   |    |  |  | Min   | Typ  | Max  |      |    |
| f <sub>FXOSC</sub>                | SR | Fast external crystal oscillator frequency | —  | 4.0   | —    | 16.0 | MHz  |    |
| g <sub>mFXOSC</sub>               | CC | C  | V <sub>DD</sub> = 3.3 V ± 10%,<br>PAD3V5V = 1<br>OSCILLATOR_MARGIN = 0 | 2.2   | —    | 8.2  | mA/V |    |
|                                   | CC | P  | V <sub>DD</sub> = 5.0 V ± 10%,<br>PAD3V5V = 0<br>OSCILLATOR_MARGIN = 0 | 2.0   | —    | 7.4  |      |    |
|                                   | CC | C  | V <sub>DD</sub> = 3.3 V ± 10%,<br>PAD3V5V = 1<br>OSCILLATOR_MARGIN = 1 | 2.7   | —    | 9.7  |      |    |
|                                   | CC | C  | V <sub>DD</sub> = 5.0 V ± 10%,<br>PAD3V5V = 0<br>OSCILLATOR_MARGIN = 1 | 2.5   | —    | 9.2  |      |    |
| V <sub>FXOSC</sub>                | CC | T  | Oscillation amplitude at EXTAL   | f <sub>OSC</sub> = 4 MHz,<br>OSCILLATOR_MARGIN = 0  | 1.3  | —    | —    | V  |
|                                   |    |  | f <sub>OSC</sub> = 16 MHz,<br>OSCILLATOR_MARGIN = 1                    | 1.3   | —    | —    |      |    |
| V <sub>FXOSCOP</sub>              | CC | C  | Oscillation operating point  | —   | 0.95 | —    | V    |    |
| I <sub>FXOSC</sub> <sup>(2)</sup> | CC | T  | Fast external crystal oscillator consumption                           | —   | 2    | 3    | mA   |    |
| t <sub>FXOSCSU</sub>              | CC | T  | Fast external crystal oscillator start-up time                         | f <sub>OSC</sub> = 4 MHz,<br>OSCILLATOR_MARGIN = 0  | —    | —    | 6    | ms |
|                                   |    |  |  | f <sub>OSC</sub> = 16 MHz,<br>OSCILLATOR_MARGIN = 1 | —    | —    | 1.8  |    |

**Table 38. Fast external crystal oscillator (4 to 16 MHz) electrical characteristics (continued)**

| Symbol          | C  | Parameter | Conditions <sup>(1)</sup>               | Value                  |                     |     | Unit                 |   |
|-----------------|----|-----------|---|------------------------|---------------------|-----|----------------------|---|
|                 |    |           |   | Min                    | Typ                 | Max |                      |   |
| V <sub>IH</sub> | SR | P         | Input high level CMOS (Schmitt Trigger) | Oscillator bypass mode | 0.65V <sub>DD</sub> | —   | V <sub>DD</sub> +0.4 | V |
| V <sub>IL</sub> | SR | P         | Input low level CMOS (Schmitt Trigger)  | Oscillator bypass mode | -0.4                | —   | 0.35V <sub>DD</sub>  | V |

1. V<sub>DD</sub> = 3.3 V ± 10% / 5.0 V ± 10%, T<sub>A</sub> = -40 to 125 °C, unless otherwise specified
2. Stated values take into account only analog module consumption but not the digital contributor (clock tree and enabled peripherals)

### 3.22 Slow external crystal oscillator (32 kHz) electrical characteristics

The device provides a low power oscillator/resonator driver.

**Figure 15. Crystal oscillator and resonator connection scheme**

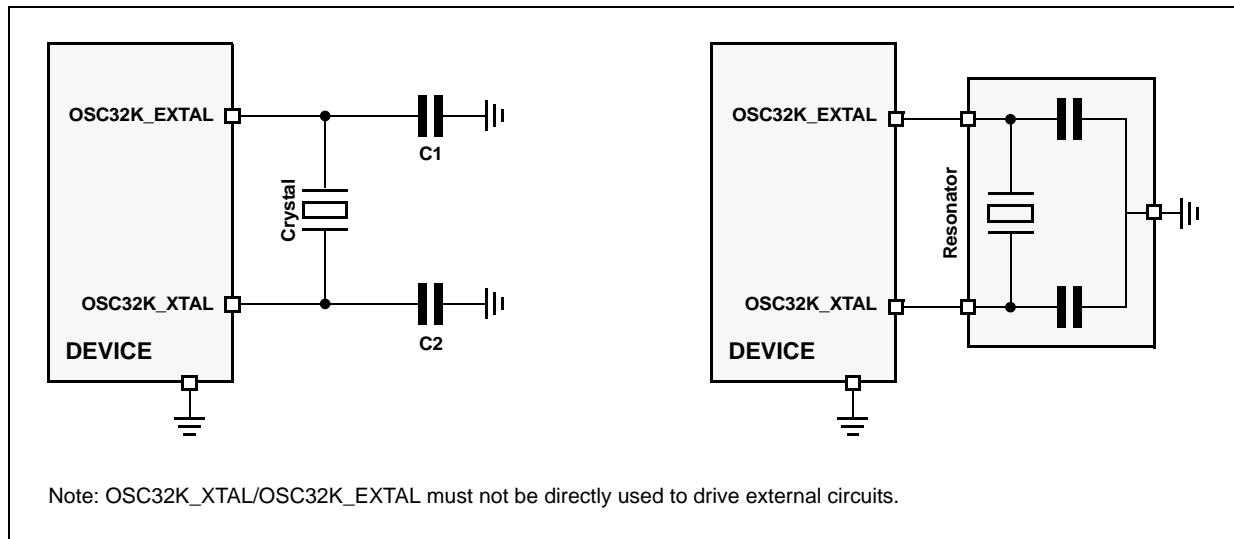


Figure 16. Equivalent circuit of a quartz crystal



Table 39. Crystal motional characteristics<sup>(1)</sup>

| Symbol               | Parameter  | Conditions                                  | Value |        |     | Unit |
|----------------------|--|---|-------|--------|-----|------|
|                      |  |   | Min   | Typ    | Max |      |
| $L_m$                | Motional inductance  | —   | —     | 11.796 | —   | KH   |
| $C_m$                | Motional capacitance   | —   | —     | 2      | —   | fF   |
| C1/C2                | Load capacitance at OSC32K_XTAL and OSC32K_EXTAL with respect to ground <sup>(2)</sup> | —   | 18    | —      | 28  | pF   |
| $R_m$ <sup>(3)</sup> | Motional resistance  | AC coupled @ $C_0 = 2.85$ pF <sup>(4)</sup> | —     | —      | 65  | kW   |
|                      |  | AC coupled @ $C_0 = 4.9$ pF <sup>(4)</sup>  | —     | —      | 50  |      |
|                      |  | AC coupled @ $C_0 = 7.0$ pF <sup>(4)</sup>  | —     | —      | 35  |      |
|                      |  | AC coupled @ $C_0 = 9.0$ pF <sup>(4)</sup>  | —     | —      | 30  |      |

- Crystal used: Epson Toyocom MC306
- This is the recommended range of load capacitance at OSC32K\_XTAL and OSC32K\_EXTAL with respect to ground. It includes all the parasitics due to board traces, crystal and package.
- Maximum ESR ( $R_m$ ) of the crystal is 50 kΩ
- $C_0$  includes a parasitic capacitance of 2.0 pF between OSC32K\_XTAL and OSC32K\_EXTAL pins

Figure 17. Slow external crystal oscillator (32 kHz) timing diagram



Table 40. Slow external crystal oscillator (32 kHz) electrical characteristics

| Symbol                 | C  | Parameter | Conditions <sup>(1)</sup>                      | Value |     |        | Unit             |     |
|------------------------|----|-----------|--|-------|-----|--------|------------------|-----|
|                        |    |           |  | Min   | Typ | Max    |                  |     |
| f <sub>SXOSC</sub>     | SR | —         | Slow external crystal oscillator frequency     | —     | 32  | 32.768 | 40               | kHz |
| V <sub>SXOSC</sub>     | CC | T         | Oscillation amplitude                          | —     | —   | 2.1    | —                | V   |
| I <sub>SXOSCBIAS</sub> | CC | T         | Oscillation bias current                       | —     | —   | 2.5    | —                | μA  |
| I <sub>SXOSC</sub>     | CC | T         | Slow external crystal oscillator consumption   | —     | —   | —      | 8                | μA  |
| T <sub>SXOSCSU</sub>   | CC | T         | Slow external crystal oscillator start-up time | —     | —   | —      | 2 <sup>(2)</sup> | s   |

- V<sub>DD</sub> = 3.3 V ± 10% / 5.0 V ± 10%, T<sub>A</sub> = -40 to 125 °C, unless otherwise specified. Values are specified for no neighbor GPIO pin activity. If oscillator is enabled (OSC32K\_XTAL and OSC32K\_EXTAL pins), neighboring pins should not toggle.
- Start-up time has been measured with EPSON TOYOCOM MC306 crystal. Variation may be seen with other crystal.

### 3.23 FMPLL electrical characteristics

The device provides a frequency-modulated phase-locked loop (FMPLL) module to generate a fast system clock from the main oscillator driver.

Table 41. FMPLL electrical characteristics

| Symbol              | C  | Parameter | Conditions <sup>(1)</sup>                       | Value |     |     | Unit |     |
|---------------------|----|-----------|---|-------|-----|-----|------|-----|
|                     |    |           |   | Min   | Typ | Max |      |     |
| f <sub>PLLIN</sub>  | SR | —         | FMPLL reference clock <sup>(2)</sup>            | —     | 4   | —   | 64   | MHz |
| Δ <sub>PLLIN</sub>  | SR | —         | FMPLL reference clock duty cycle <sup>(2)</sup> | —     | 40  | —   | 60   | %   |
| f <sub>PLLOUT</sub> | CC | D         | FMPLL output clock frequency                    | —     | 16  | —   | 64   | MHz |

Table 41. FMPLL electrical characteristics (continued)

| Symbol                          | C  | Parameter | Conditions <sup>(1)</sup>                  | Value   |     |     | Unit |     |     |    |
|---------------------------------|----|-----------|--|---|-----|-----|------|-----|-----|----|
|                                 |    |           |  | Min   | Typ | Max |      |     |     |    |
| f <sub>VCO</sub> <sup>(3)</sup> | CC | P         | VCO frequency without frequency modulation | —   | 256 | —   | 512  | MHz |     |    |
|                                 |    | C         | VCO frequency with frequency modulation    | —   | 245 | —   | 533  |     |     |    |
| f <sub>CPU</sub>                | SR | —         | System clock frequency                     | —   | —   | —   | 64   | MHz |     |    |
| f <sub>FREE</sub>               | CC | P         | Free-running frequency                     | —   | 20  | —   | 150  | MHz |     |    |
| t <sub>LOCK</sub>               | CC | P         | FMPLL lock time                            | Stable oscillator (f <sub>PLLIN</sub> = 16 MHz)                                       |     |     | —    | 40  | 100 | μs |
| Δt <sub>STJIT</sub>             | CC | —         | FMPLL short term jitter <sup>(4)</sup>     | f <sub>sys</sub> maximum  |     |     | —4   | —   | 4   | %  |
| Δt <sub>LTJIT</sub>             | CC | —         | FMPLL long term jitter                     | f <sub>PLLIN</sub> = 16 MHz (resonator),<br>f <sub>PLLCLK</sub> @ 64 MHz, 4000 cycles |     |     | —    | —   | 10  | ns |
| I <sub>PLL</sub>                | CC | C         | FMPLL consumption                          | T <sub>A</sub> = 25 °C  |     |     | —    | —   | 4   | mA |

1. V<sub>DD</sub> = 3.3 V ± 10% / 5.0 V ± 10%, T<sub>A</sub> = -40 to 125 °C, unless otherwise specified.
2. PLLIN clock retrieved directly from FXOSC clock. Input characteristics are granted when oscillator is used in functional mode. When bypass mode is used, oscillator input clock should verify f<sub>PLLIN</sub> and Δ<sub>PLLIN</sub>.
3. Frequency modulation is considered ±4%
4. Short term jitter is measured on the clock rising edge at cycle n and n+4.

### 3.24 Fast internal RC oscillator (16 MHz) electrical characteristics

The device provides a 16 MHz fast internal RC oscillator. This is used as the default clock at the power-up of the device.

Table 42. Fast internal RC oscillator (16 MHz) electrical characteristics

| Symbol                           | C  | Parameter | Conditions <sup>(1)</sup>  | Value                           |                 |     | Unit |   |     |    |
|----------------------------------|----|-----------|--|---------------------------------|-----------------|-----|------|---|-----|----|
|                                  |    |           |  | Min                             | Typ             | Max |      |   |     |    |
| f <sub>FIRC</sub>                | CC | P         | Fast internal RC oscillator high frequency                                       | T <sub>A</sub> = 25 °C, trimmed |                 |     | MHz  |   |     |    |
|                                  | SR |           |  | —                               | 16              | —   |      |   |     |    |
| I <sub>FIRC</sub> <sup>(2)</sup> | CC | T         | Fast internal RC oscillator high frequency current in running mode               | T <sub>A</sub> = 25 °C, trimmed |                 |     | —    | — | 200 | μA |
| I <sub>FIRCPWD</sub>             | CC | D         | Fast internal RC oscillator high frequency current in power down mode            | T <sub>A</sub> = 125 °C         |                 |     | —    | — | 10  | μA |
| I <sub>FIRCSTOP</sub>            | CC | T         | Fast internal RC oscillator high frequency and system clock current in stop mode | T <sub>A</sub> = 25 °C          | sysclk = off    | —   | 500  | — | μA  |    |
|                                  |    |           |  |                                 | sysclk = 2 MHz  | —   | 600  | — |     |    |
|                                  |    |           |  |                                 | sysclk = 4 MHz  | —   | 700  | — |     |    |
|                                  |    |           |  |                                 | sysclk = 8 MHz  | —   | 900  | — |     |    |
|                                  |    |           |  |                                 | sysclk = 16 MHz | —   | 1250 | — |     |    |

Table 42. Fast internal RC oscillator (16 MHz) electrical characteristics (continued)

| Symbol                | C  | Parameter | Conditions <sup>(1)</sup>  | Value                         |     |     | Unit |    |
|-----------------------|----|-----------|--|-------------------------------|-----|-----|------|----|
|                       |    |           |  | Min                           | Typ | Max |      |    |
| t <sub>FIRCSU</sub>   | CC | C         | Fast internal RC oscillator start-up time  | V <sub>DD</sub> = 5.0 V ± 10% | —   | 1.1 | 2.0  | μs |
| Δ <sub>FIRCPRE</sub>  | CC | T         | Fast internal RC oscillator precision after software trimming of f <sub>FIRC</sub>   | T <sub>A</sub> = 25 °C        | -1  | —   | +1   | %  |
| Δ <sub>FIRCTRIM</sub> | CC | T         | Fast internal RC oscillator trimming step  | T <sub>A</sub> = 25 °C        | —   | 1.6 | —    | %  |
| Δ <sub>FIRCVAR</sub>  | CC | P         | Fast internal RC oscillator variation in over temperature and supply with respect to f <sub>FIRC</sub> at T <sub>A</sub> = 25 °C in high-frequency configuration | —                             | -5  | —   | +5   | %  |

1. V<sub>DD</sub> = 3.3 V ± 10% / 5.0 V ± 10%, T<sub>A</sub> = -40 to 125 °C, unless otherwise specified.

2. This does not include consumption linked to clock tree toggling and peripherals consumption when RC oscillator is ON.

### 3.25 Slow internal RC oscillator (128 kHz) electrical characteristics

The device provides a 128 kHz slow internal RC oscillator. This can be used as the reference clock for the RTC module.

Table 43. Slow internal RC oscillator (128 kHz) electrical characteristics

| Symbol                           | C  | Parameter | Conditions <sup>(1)</sup>   | Value   |     |     | Unit |     |
|----------------------------------|----|-----------|---|---|-----|-----|------|-----|
|                                  |    |           |   | Min   | Typ | Max |      |     |
| f <sub>SIRC</sub>                | CC | P         | Slow internal RC oscillator low frequency   | T <sub>A</sub> = 25 °C, trimmed                       | —   | 128 | —    | kHz |
|                                  | SR |           |   | —   | 100 | —   | 150  |     |
| I <sub>SIRC</sub> <sup>(2)</sup> | CC | C         | Slow internal RC oscillator low frequency current   | T <sub>A</sub> = 25 °C, trimmed                       | —   | —   | 5    | μA  |
| t <sub>SIRCSU</sub>              | CC | P         | Slow internal RC oscillator start-up time   | T <sub>A</sub> = 25 °C, V <sub>DD</sub> = 5.0 V ± 10% | —   | 8   | 12   | μs  |
| Δ <sub>SIRCPRE</sub>             | CC | C         | Slow internal RC oscillator precision after software trimming of f <sub>SIRC</sub>  | T <sub>A</sub> = 25 °C                                | -2  | —   | +2   | %   |
| Δ <sub>SIRCTRIM</sub>            | CC | C         | Slow internal RC oscillator trimming step   | —   | —   | 2.7 | —    |     |
| Δ <sub>SIRCVAR</sub>             | CC | C         | Slow internal RC oscillator variation in temperature and supply with respect to f <sub>SIRC</sub> at T <sub>A</sub> = 55 °C in high frequency configuration | High frequency configuration                          | -10 | —   | +10  | %   |

1. V<sub>DD</sub> = 3.3 V ± 10% / 5.0 V ± 10%, T<sub>A</sub> = -40 to 125 °C, unless otherwise specified.

2. This does not include consumption linked to clock tree toggling and peripherals consumption when RC oscillator is ON.

### 3.26 ADC electrical characteristics

#### 3.26.1 Introduction

The device provides a 10-bit Successive Approximation Register (SAR) analog-to-digital converter.

Figure 18. ADC characteristic and error definitions



#### 3.26.2 Input impedance and ADC accuracy

In the following analysis, the input circuit corresponding to the precise channels is considered.



To preserve the accuracy of the A/D converter, it is necessary that analog input pins have low AC impedance. Placing a capacitor with good high frequency characteristics at the input pin of the device can be effective: the capacitor should be as large as possible, ideally infinite. This capacitor contributes to attenuating the noise present on the input pin; furthermore, it sources charge during the sampling phase, when the analog signal source is a high-impedance source.

A real filter can typically be obtained by using a series resistance with a capacitor on the input pin (simple RC filter). The RC filtering may be limited according to the value of source impedance of the transducer or circuit supplying the analog signal to be measured. The filter at the input pins must be designed taking into account the dynamic characteristics of the input signal (bandwidth) and the equivalent input impedance of the ADC itself.

In fact a current sink contributor is represented by the charge sharing effects with the sampling capacitance: being  $C_S$  and  $C_{p2}$  substantially two switched capacitances, with a frequency equal to the conversion rate of the ADC, it can be seen as a resistive path to ground. For instance, assuming a conversion rate of 1 MHz, with  $C_S+C_{p2}$  equal to 3 pF, a resistance of 330 k $\Omega$  is obtained ( $R_{EQ} = 1 / (f_c \times (C_S+C_{p2}))$ ), where  $f_c$  represents the conversion rate at the considered channel). To minimize the error induced by the voltage partitioning between this resistance (sampled voltage on  $C_S+C_{p2}$ ) and the sum of  $R_S + R_F$ , the external circuit must be designed to respect the [Equation 4](#):

#### Equation 4

$$V_A \cdot \frac{R_S + R_F}{R_{EQ}} < \frac{1}{2} \text{LSB}$$

[Equation 4](#) generates a constraint for external network design, in particular on a resistive path.

Figure 19. Input equivalent circuit (precise channels)

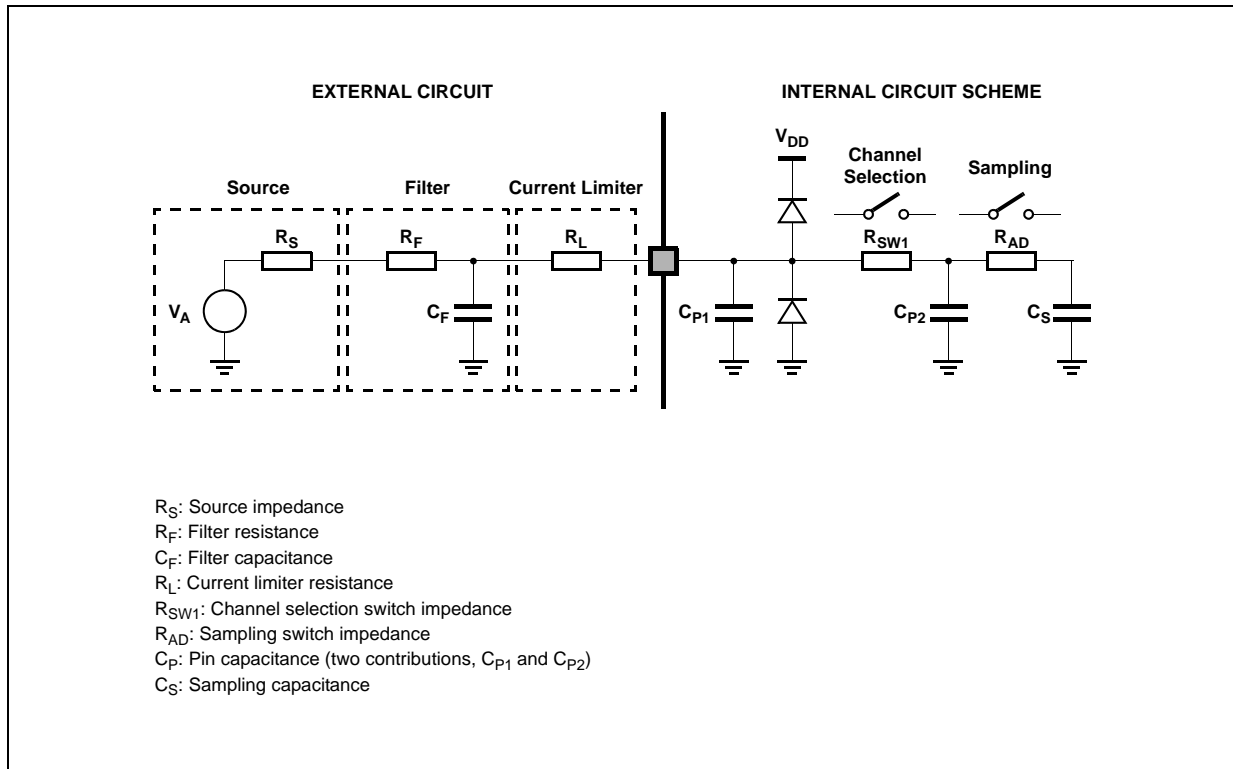
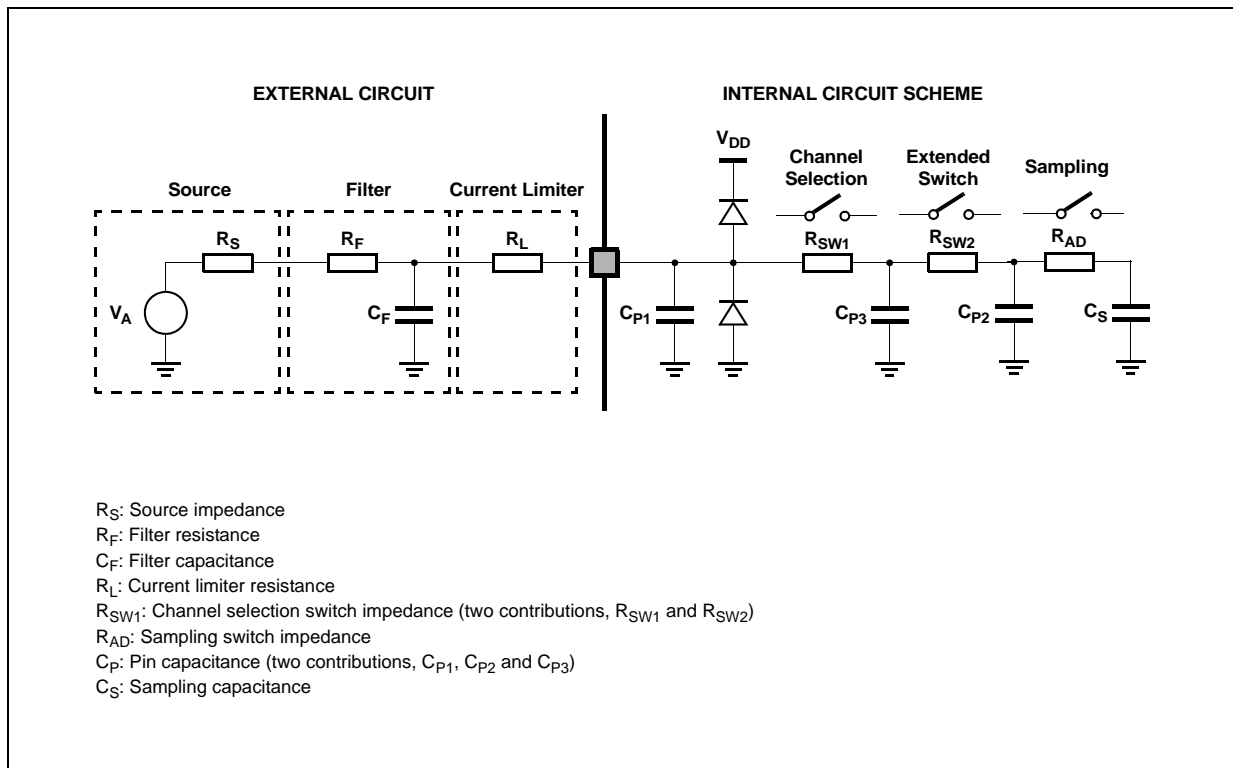
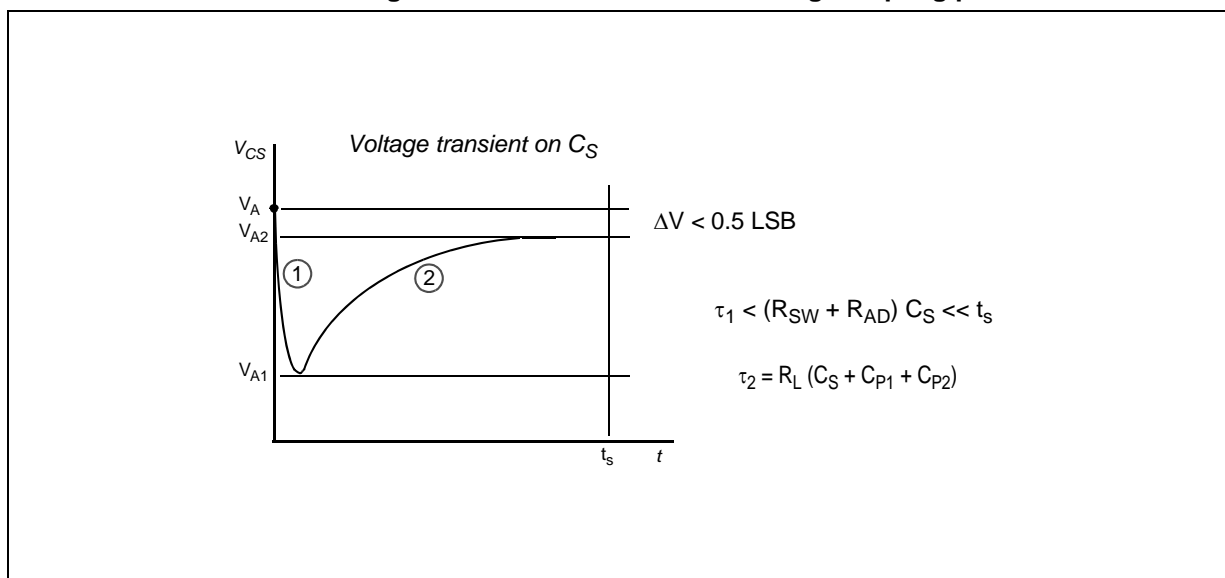


Figure 20. Input equivalent circuit (extended channels)



A second aspect involving the capacitance network shall be considered. Assuming the three capacitances  $C_F$ ,  $C_{P1}$  and  $C_{P2}$  are initially charged at the source voltage  $V_A$  (refer to the equivalent circuit in [Figure 19](#)): A charge sharing phenomenon is installed when the sampling phase is started (A/D switch close).

**Figure 21. Transient behavior during sampling phase**



In particular two different transient periods can be distinguished:

1. A first and quick charge transfer from the internal capacitance  $C_{P1}$  and  $C_{P2}$  to the sampling capacitance  $C_S$  occurs ( $C_S$  is supposed initially completely discharged): considering a worst case (since the time constant in reality would be faster) in which  $C_{P2}$  is reported in parallel to  $C_{P1}$  (call  $C_P = C_{P1} + C_{P2}$ ), the two capacitances  $C_P$  and  $C_S$  are in series, and the time constant is

**Equation 5**

$$\tau_1 = (R_{SW} + R_{AD}) \cdot \frac{C_P \cdot C_S}{C_P + C_S}$$

[Equation 5](#) can again be simplified considering only  $C_S$  as an additional worst condition. In reality, the transient is faster, but the A/D converter circuitry has been designed to be robust also in the very worst case: the sampling time  $t_s$  is always much longer than the internal time constant:

**Equation 6**

$$\tau_1 < (R_{SW} + R_{AD}) \cdot C_S \ll t_s$$

The charge of  $C_{P1}$  and  $C_{P2}$  is redistributed also on  $C_S$ , determining a new value of the voltage  $V_{A1}$  on the capacitance according to [Equation 7](#):

**Equation 7**

$$V_{A1} \cdot (C_S + C_{P1} + C_{P2}) = V_A \cdot (C_{P1} + C_{P2})$$

2. A second charge transfer involves also  $C_F$  (that is typically bigger than the on-chip capacitance) through the resistance  $R_L$ : again considering the worst case in which  $C_{P2}$  and  $C_S$  were in parallel to  $C_{P1}$  (since the time constant in reality would be faster), the time constant is:

**Equation 8**

$$\tau_2 < R_L \cdot (C_S + C_{P1} + C_{P2})$$

In this case, the time constant depends on the external circuit: in particular imposing that the transient is completed well before the end of sampling time  $t_s$ , a constraints on  $R_L$  sizing is obtained:

**Equation 9**

$$8.5 \cdot \tau_2 = 8.5 \cdot R_L \cdot (C_S + C_{P1} + C_{P2}) < t_s$$

Of course,  $R_L$  shall be sized also according to the current limitation constraints, in combination with  $R_S$  (source impedance) and  $R_F$  (filter resistance). Being  $C_F$  definitively bigger than  $C_{P1}$ ,  $C_{P2}$  and  $C_S$ , then the final voltage  $V_{A2}$  (at the end of the charge transfer transient) will be much higher than  $V_{A1}$ . [Equation 10](#) must be respected (charge balance assuming now  $C_S$  already charged at  $V_{A1}$ ):

**Equation 10**

$$V_{A2} \cdot (C_S + C_{P1} + C_{P2} + C_F) = V_A \cdot C_F + V_{A1} \cdot (C_{P1} + C_{P2} + C_S)$$

The two transients above are not influenced by the voltage source that, due to the presence of the  $R_F C_F$  filter, is not able to provide the extra charge to compensate the voltage drop on  $C_S$  with respect to the ideal source  $V_A$ ; the time constant  $R_F C_F$  of the filter is very high with respect to the sampling time ( $t_s$ ). The filter is typically designed to act as anti-aliasing.

**Figure 22. Spectral representation of input signal**



Calling  $f_0$  the bandwidth of the source signal (and as a consequence the cut-off frequency of the anti-aliasing filter,  $f_F$ ), according to the Nyquist theorem the conversion rate  $f_C$  must be at least  $2f_0$ ; it means that the constant time of the filter is greater than or at least equal to twice the conversion period ( $t_C$ ). Again the conversion period  $t_C$  is longer than the sampling time  $t_S$ , which is just a portion of it, even when fixed channel continuous conversion mode is selected (fastest conversion rate at a specific channel): in conclusion it is evident that the time constant of the filter  $R_F C_F$  is definitively much higher than the sampling time  $t_S$ , so the charge level on  $C_S$  cannot be modified by the analog signal source during the time in which the sampling switch is closed.

The considerations above lead to impose new constraints on the external circuit, to reduce the accuracy error due to the voltage drop on  $C_S$ ; from the two charge balance equations above, it is simple to derive [Equation 11](#) between the ideal and real sampled voltage on  $C_S$ :

**Equation 11**

$$\frac{V_{A2}}{V_A} = \frac{C_{P1} + C_{P2} + C_F}{C_{P1} + C_{P2} + C_F + C_S}$$

From this formula, in the worst case (when  $V_A$  is maximum, that is for instance 5 V), assuming to accept a maximum error of half a count, a constraint is evident on  $C_F$  value:

**Equation 12**

$$C_F > 2048 \cdot C_S$$

**3.26.3 ADC electrical characteristics****Table 44. ADC input leakage current**

| Symbol    | C  | Parameter             | Conditions            | Value                                |     |     | Unit |    |
|-----------|----|-----------------------|-----------------------|--------------------------------------|-----|-----|------|----|
|           |    |                       |                       | Min                                  | Typ | Max |      |    |
| $I_{LKG}$ | CC | Input leakage current | $T_A = -40\text{ °C}$ | No current injection on adjacent pin | —   | 1   | 70   | nA |
|           |    |                       | $T_A = 25\text{ °C}$  |                                      | —   | 1   | 70   |    |
|           |    |                       | $T_A = 85\text{ °C}$  |                                      | —   | 3   | 100  |    |
|           |    |                       | $T_A = 105\text{ °C}$ |                                      | —   | 8   | 200  |    |
|           |    |                       | $T_A = 125\text{ °C}$ |                                      | —   | 45  | 400  |    |

Table 45. ADC conversion characteristics

| Symbol                   | C      | Parameter | Conditions <sup>(1)</sup>  | Value                                   |       |                          | Unit |    |
|--------------------------|--------|-----------|--|---|-------|--------------------------|------|----|
|                          |        |           |  | Min                                     | Typ   | Max                      |      |    |
| V <sub>SS_ADC</sub>      | S<br>R | —         | Voltage on VSS_HV_ADC (ADC reference) pin with respect to ground (V <sub>SS</sub> ) <sup>(2)</sup> | —                                       | —     | 0.1                      | V    |    |
| V <sub>DD_ADC</sub>      | S<br>R | —         | Voltage on VDD_HV_ADC pin (ADC reference) with respect to ground (V <sub>SS</sub> )                | —                                       | —     | V <sub>DD</sub> +0.1     | V    |    |
| V <sub>AINx</sub>        | S<br>R | —         | Analog input voltage <sup>(3)</sup>  | V <sub>SS_ADC</sub> -0.1                | —     | V <sub>DD_ADC</sub> +0.1 | V    |    |
| f <sub>ADC</sub>         | S<br>R | —         | ADC analog frequency   | 6                                       | —     | 32 + 4%                  | MHz  |    |
| Δ <sub>ADC_SY</sub><br>S | S<br>R | —         | ADC digital clock duty cycle (ipg_clk)   | ADCLKSEL = 1 <sup>(4)</sup>             |       | 45                       | 55   | %  |
| I <sub>ADCPWD</sub>      | S<br>R | —         | ADC0 consumption in power down mode  | —                                       | —     | 50                       | μA   |    |
| I <sub>ADCRUN</sub>      | S<br>R | —         | ADC0 consumption in running mode   | —                                       | —     | 4                        | mA   |    |
| t <sub>ADC_PU</sub>      | S<br>R | —         | ADC power up delay   | —                                       | —     | 1.5                      | μs   |    |
| t <sub>s</sub>           | C<br>C | T         | Sampling time <sup>(5)</sup>   | f <sub>ADC</sub> = 32 MHz, INPSAMP = 17 | 0.5   | —                        | μs   |    |
|                          |        |           |  | f <sub>ADC</sub> = 6 MHz, INPSAMP = 255 | —     | —                        |      | 42 |
| t <sub>c</sub>           | C<br>C | P         | Conversion time <sup>(6)</sup>   | f <sub>ADC</sub> = 32 MHz, INPCMP = 2   | 0.625 | —                        | μs   |    |
| C <sub>S</sub>           | C<br>C | D         | ADC input sampling capacitance   | —                                       | —     | 3                        | pF   |    |
| C <sub>P1</sub>          | C<br>C | D         | ADC input pin capacitance 1  | —                                       | —     | 3                        | pF   |    |
| C <sub>P2</sub>          | C<br>C | D         | ADC input pin capacitance 2  | —                                       | —     | 1                        | pF   |    |
| C <sub>P3</sub>          | C<br>C | D         | ADC input pin capacitance 3  | —                                       | —     | 1                        | pF   |    |
| R <sub>SW1</sub>         | C<br>C | D         | Internal resistance of analog source   | —                                       | —     | 3                        | kΩ   |    |
| R <sub>SW2</sub>         | C<br>C | D         | Internal resistance of analog source   | —                                       | —     | 2                        | kΩ   |    |
| R <sub>AD</sub>          | C<br>C | D         | Internal resistance of analog source   | —                                       | —     | 2                        | kΩ   |    |

Table 45. ADC conversion characteristics (continued)

| Symbol           | C      | Parameter | Conditions <sup>(1)</sup>   | Value                         |     |     | Unit |     |
|------------------|--------|-----------|---|-------------------------------|-----|-----|------|-----|
|                  |        |           |   | Min                           | Typ | Max |      |     |
| I <sub>INJ</sub> | S<br>R | —         | Input current Injection<br>Current injection on one ADC input, different from the converted one | V <sub>DD</sub> = 3.3 V ± 10% | −5  | —   | 5    | mA  |
|                  |        |           |   | V <sub>DD</sub> = 5.0 V ± 10% | −5  | —   | 5    |     |
| INL              | C<br>C | T         | Absolute value for integral non-linearity   | No overload                   | —   | 0.5 | 1.5  | LSB |
| DNL              | C<br>C | T         | Absolute differential non-linearity   | No overload                   | —   | 0.5 | 1.0  | LSB |
| E <sub>O</sub>   | C<br>C | T         | Absolute offset error   | —                             | —   | 0.5 | —    | LSB |
| E <sub>G</sub>   | C<br>C | T         | Absolute gain error   | —                             | —   | 0.6 | —    | LSB |
| TUE <sub>p</sub> | C<br>C | P         | Total unadjusted error <sup>(7)</sup> for precise channels, input only pins                     | Without current injection     | −2  | 0.6 | 2    | LSB |
|                  |        | T         |   | With current injection        | −3  |     | 3    |     |
| TUE <sub>x</sub> | C<br>C | T         | Total unadjusted error <sup>(7)</sup> for extended channel                                      | Without current injection     | −3  | 1   | 3    | LSB |
|                  |        | T         |   | With current injection        | −4  |     | 4    |     |

1. V<sub>DD</sub> = 3.3 V ± 10% / 5.0 V ± 10%, T<sub>A</sub> = −40 to 125 °C, unless otherwise specified.
2. Analog and digital V<sub>SS</sub> **must** be common (to be tied together externally).
3. V<sub>AINx</sub> may exceed V<sub>SS, ADC</sub> and V<sub>DD, ADC</sub> limits, remaining on absolute maximum ratings, but the results of the conversion will be clamped respectively to 0x000 or 0x3FF.
4. Duty cycle is ensured by using system clock without prescaling. When ADCLKSEL = 0, the duty cycle is ensured by internal divider by 2.
5. During the sampling time the input capacitance C<sub>S</sub> can be charged/discharged by the external source. The internal resistance of the analog source must allow the capacitance to reach its final voltage level within t<sub>s</sub>. After the end of the sampling time t<sub>s</sub>, changes of the analog input voltage have no effect on the conversion result. Values for the sample clock t<sub>s</sub> depend on programming.
6. This parameter does not include the sampling time t<sub>s</sub>, but only the time for determining the digital result and the time to load the result's register with the conversion result.
7. Total Unadjusted Error: The maximum error that occurs without adjusting Offset and Gain errors. This error is a combination of Offset, Gain and Integral Linearity errors.

## 3.27 On-chip peripherals

### 3.27.1 Current consumption

3.27.2 DSPI characteristics

Table 46. On-chip peripherals current consumption<sup>(1)</sup>

| Symbol                      | C  | Parameter | Conditions                                       |  | Typical value <sup>(2)</sup>   | Unit                          |    |
|-----------------------------|----|-----------|--|--|--|-------------------------------|----|
| I <sub>DD_BV(CAN)</sub>     | CC | T         | CAN (FlexCAN) supply current on VDD_BV           | Bitrate: 500 Kbyte/s   | Total (static + dynamic) consumption:<br>– FlexCAN in loop-back mode<br>– XTAL @ 8 MHz used as CAN engine clock source<br>– Message sending period is 580 μs | 8 * f <sub>periph</sub> + 85  | μA |
|                             |    |           |  | Bitrate: 125 Kbyte/s   |  | 8 * f <sub>periph</sub> + 27  |    |
| I <sub>DD_BV(eMIOS)</sub>   | CC | T         | eMIOS supply current on VDD_BV                   | Static consumption:<br>– eMIOS channel OFF<br>– Global prescaler enabled   |  | 29 * f <sub>periph</sub>      | μA |
|                             |    |           |  | Dynamic consumption:<br>– It does not change varying the frequency (0.003 mA)  |  | 3                             |    |
| I <sub>DD_BV(SCI)</sub>     | CC | T         | SCI (LINFlex) supply current on VDD_BV           | Total (static + dynamic) consumption:<br>– LIN mode<br>– Baudrate: 20 Kbyte/s  |  | 5 * f <sub>periph</sub> + 31  | μA |
| I <sub>DD_BV(SPI)</sub>     | CC | T         | SPI (DSPI) supply current on VDD_BV              | Ballast static consumption (only clocked)  |  | 1                             | μA |
|                             |    |           |  | Ballast dynamic consumption (continuous communication):<br>– Baudrate: 2 Mbit/s<br>– Transmission every 8 μs<br>– Frame: 16 bits |  | 16 * f <sub>periph</sub>      |    |
| I <sub>DD_BV(ADC)</sub>     | CC | T         | ADC supply current on VDD_BV                     | V <sub>DD</sub> = 5.5 V  | Ballast static consumption (no conversion)   | 41 * f <sub>periph</sub>      | μA |
|                             |    |           |  |  | Ballast dynamic consumption (continuous conversion) <sup>(3)</sup>   | 5 * f <sub>periph</sub>       |    |
| I <sub>DD_HV_ADC(ADC)</sub> | CC | T         | ADC supply current on VDD_HV_ADC                 | V <sub>DD</sub> = 5.5 V  | Analog static consumption (no conversion)  | 2 * f <sub>periph</sub>       | μA |
|                             |    |           |  |  | Analog dynamic consumption (continuous conversion)   | 75 * f <sub>periph</sub> + 32 |    |
| I <sub>DD_HV(FLASH)</sub>   | CC | T         | Code Flash + Data Flash supply current on VDD_HV | V <sub>DD</sub> = 5.5 V  | —  | 8.21                          | mA |
| I <sub>DD_HV(PLL)</sub>     | CC | T         | PLL supply current on VDD_HV                     | V <sub>DD</sub> = 5.5 V  | —  | 30 * f <sub>periph</sub>      | μA |

1. Operating conditions: T<sub>A</sub> = 25 °C, f<sub>periph</sub> = 8 MHz to 64 MHz

2. f<sub>periph</sub> is an absolute value.



3. During the conversion, the total current consumption is given from the sum of the static and dynamic consumption, i.e.,  $(41 + 5) \cdot f_{\text{periph}}$ .

Table 47. DSPI characteristics<sup>(1)</sup>

| No. | Symbol                             | C  | Parameter |  | DSPI0/DSPI1            |                         |                     | DSPI2                    |                         |                     | Unit                      |    |
|-----|------------------------------------|----|-----------|--|------------------------|-------------------------|---------------------|--------------------------|-------------------------|---------------------|---------------------------|----|
|     |                                    |    |           |  | Min                    | Typ                     | Max                 | Min                      | Typ                     | Max                 |                           |    |
| 1   | t <sub>SCK</sub>                   | SR | D         | SCK cycle time   | Master mode (MTFE = 0) | 125                     | —                   | —                        | 333                     | —                   | —                         | ns |
|     |                                    |    | D         |  | Slave mode (MTFE = 0)  | 125                     | —                   | —                        | 333                     | —                   | —                         |    |
|     |                                    |    | D         |  | Master mode (MTFE = 1) | 83                      | —                   | —                        | 125                     | —                   | —                         |    |
|     |                                    |    | D         |  | Slave mode (MTFE = 1)  | 83                      | —                   | —                        | 125                     | —                   | —                         |    |
| —   | f <sub>DSPI</sub>                  | SR | D         | DSPI digital controller frequency  | —                      | —                       | f <sub>CPU</sub>    | —                        | —                       | f <sub>CPU</sub>    | MHz                       |    |
| —   | Δt <sub>CSC</sub>                  | CC | D         | Internal delay between pad associated to SCK and pad associated to CSn in master mode for CSn1→0 | Master mode            | —                       | —                   | 130 <sup>(2)</sup>       | —                       | —                   | 15 <sup>(3)</sup>         | ns |
| —   | Δt <sub>ASC</sub>                  | CC | D         | Internal delay between pad associated to SCK and pad associated to CSn in master mode for CSn1→1 | Master mode            | —                       | —                   | 130 <sup>(3)</sup>       | —                       | —                   | 130 <sup>(3)</sup>        | ns |
| 2   | t <sub>CSCext</sub> <sup>(4)</sup> | SR | D         | CS to SCK delay  | Slave mode             | 32                      | —                   | —                        | 32                      | —                   | —                         | ns |
| 3   | t <sub>ASCext</sub> <sup>(5)</sup> | SR | D         | After SCK delay  | Slave mode             | 1/f <sub>DSPI</sub> + 5 | —                   | —                        | 1/f <sub>DSPI</sub> + 5 | —                   | —                         | ns |
| 4   | t <sub>SDC</sub>                   | CC | D         | SCK duty cycle   | Master mode            | —                       | t <sub>SCK</sub> /2 | —                        | —                       | t <sub>SCK</sub> /2 | —                         | ns |
|     |                                    |    | D         |  | Slave mode             | t <sub>SCK</sub> /2     | —                   | —                        | t <sub>SCK</sub> /2     | —                   | —                         |    |
| 5   | t <sub>A</sub>                     | SR | D         | Slave access time  | Slave mode             | —                       | —                   | 1/f <sub>DSPI</sub> + 70 | —                       | —                   | 1/f <sub>DSPI</sub> + 130 | ns |
| 6   | t <sub>DI</sub>                    | SR | D         | Slave SOUT disable time  | Slave mode             | 7                       | —                   | —                        | 7                       | —                   | —                         | ns |
| 7   | t <sub>PCSC</sub>                  | SR | D         | PCSx to PCSS time  |                        | 0                       | —                   | —                        | 0                       | —                   | —                         | ns |
| 8   | t <sub>PASC</sub>                  | SR | D         | PCSS to PCSx time  |                        | 0                       | —                   | —                        | 0                       | —                   | —                         | ns |

**Table 47. DSPI characteristics<sup>(1)</sup> (continued)**

| No. | Symbol                          | C  | Parameter | DSPI0/DSPI1                |                  |     | DSPI2 |                  |     | Unit |    |    |
|-----|---------------------------------|----|-----------|----------------------------|------------------|-----|-------|------------------|-----|------|----|----|
|     |                                 |    |           | Min                        | Typ              | Max | Min   | Typ              | Max |      |    |    |
| 9   | t <sub>SUI</sub>                | SR | D         | Data setup time for inputs | Master mode      | 43  | —     | —                | 145 | —    | —  | ns |
|     |                                 |    |           | Slave mode                 | 5                | —   | —     | 5                | —   | —    |    |    |
| 10  | t <sub>HI</sub>                 | SR | D         | Data hold time for inputs  | Master mode      | 0   | —     | —                | 0   | —    | —  | ns |
|     |                                 |    |           | Slave mode                 | 2 <sup>(6)</sup> | —   | —     | 2 <sup>(6)</sup> | —   | —    |    |    |
| 11  | t <sub>SUO</sub> <sup>(7)</sup> | CC | D         | Data valid after SCK edge  | Master mode      | —   | —     | 32               | —   | —    | 50 | ns |
|     |                                 |    |           | Slave mode                 | —                | —   | 52    | —                | —   | 160  |    |    |
| 12  | t <sub>HO</sub> <sup>(7)</sup>  | CC | D         | Data hold time for outputs | Master mode      | 0   | —     | —                | 0   | —    | —  | ns |
|     |                                 |    |           | Slave mode                 | 8                | —   | —     | 13               | —   | —    |    |    |

1. Operating conditions: C<sub>L</sub> = 10 to 50 pF, Slew<sub>IN</sub> = 3.5 to 15 ns.
2. Maximum value is reached when CSn pad is configured as SLOW pad while SCK pad is configured as MEDIUM. A positive value means that SCK starts before CSn is asserted. DSPI2 has only SLOW SCK available.
3. Maximum value is reached when CSn pad is configured as MEDIUM pad while SCK pad is configured as SLOW. A positive value means that CSn is deasserted before SCK. DSPI0 and DSPI1 have only MEDIUM SCK available.
4. The t<sub>CSC</sub> delay value is configurable through a register. When configuring t<sub>CSC</sub> (using PCSSCK and CSSCK fields in DSPI\_CTARx registers), delay between internal CS and internal SCK must be higher than Δt<sub>CSC</sub> to ensure positive t<sub>CSCext</sub>.
5. The t<sub>ASC</sub> delay value is configurable through a register. When configuring t<sub>ASC</sub> (using PASC and ASC fields in DSPI\_CTARx registers), delay between internal CS and internal SCK must be higher than Δt<sub>ASC</sub> to ensure positive t<sub>ASCext</sub>.
6. This delay value corresponds to SMPL\_PT = 00b which is bit field 9 and 8 of the DSPI\_MCR.
7. SCK and SOUT configured as MEDIUM pad

Figure 23. DSPI classic SPI timing – master, CPHA = 0

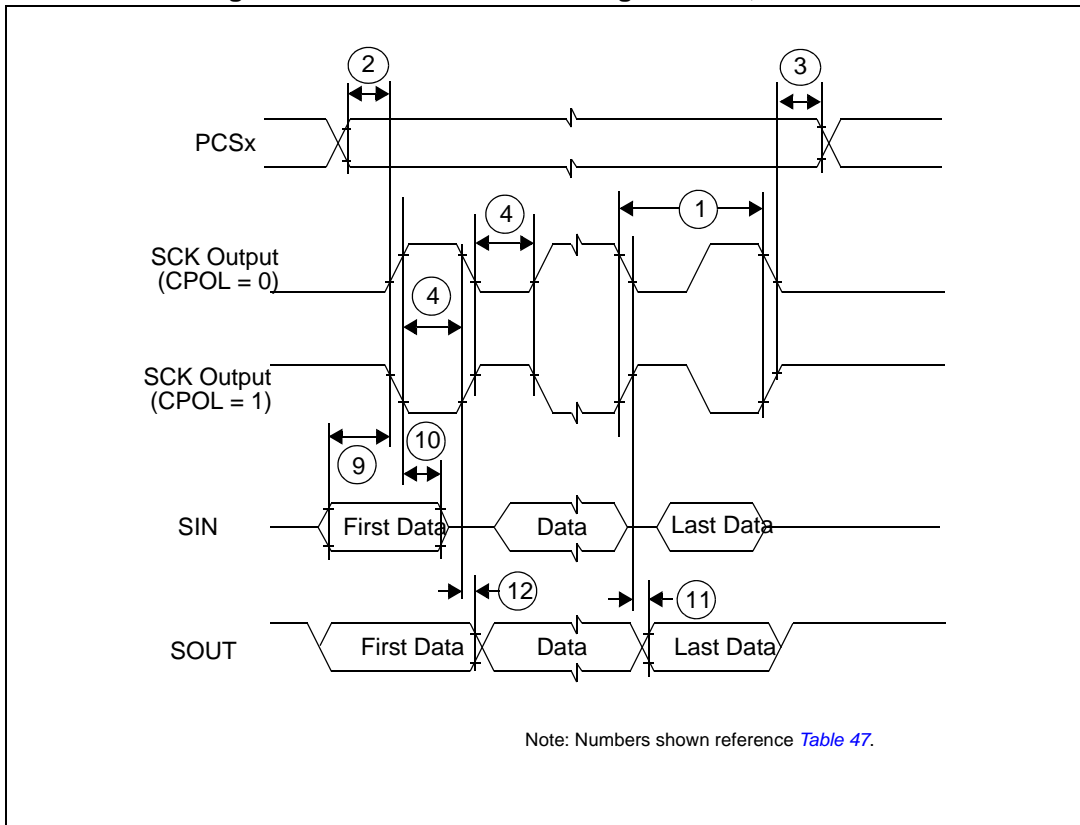


Figure 24. DSPI classic SPI timing – master, CPHA = 1



Figure 25. DSPI classic SPI timing – slave, CPHA = 0



Figure 26. DSPI classic SPI timing – slave, CPHA = 1



Figure 27. DSPI modified transfer format timing – master, CPHA = 0



Figure 28. DSPI modified transfer format timing – master, CPHA = 1



Figure 29. DSPI modified transfer format timing – slave, CPHA = 0

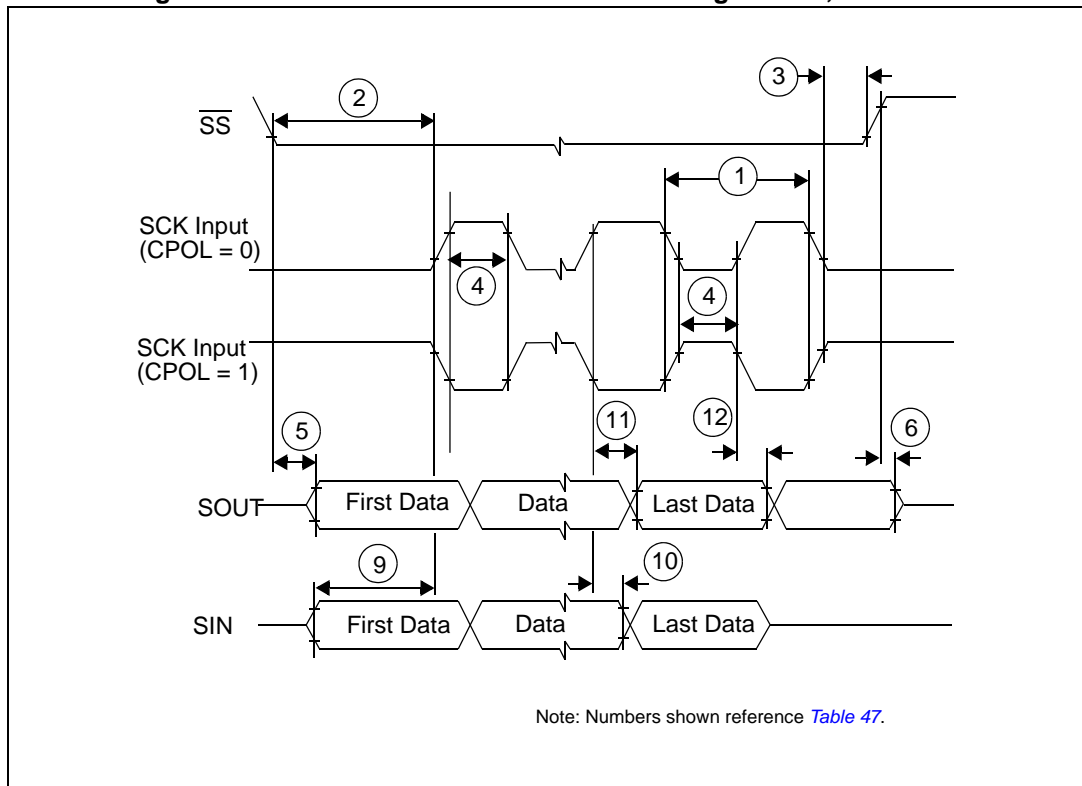


Figure 30. DSPI modified transfer format timing – slave, CPHA = 1

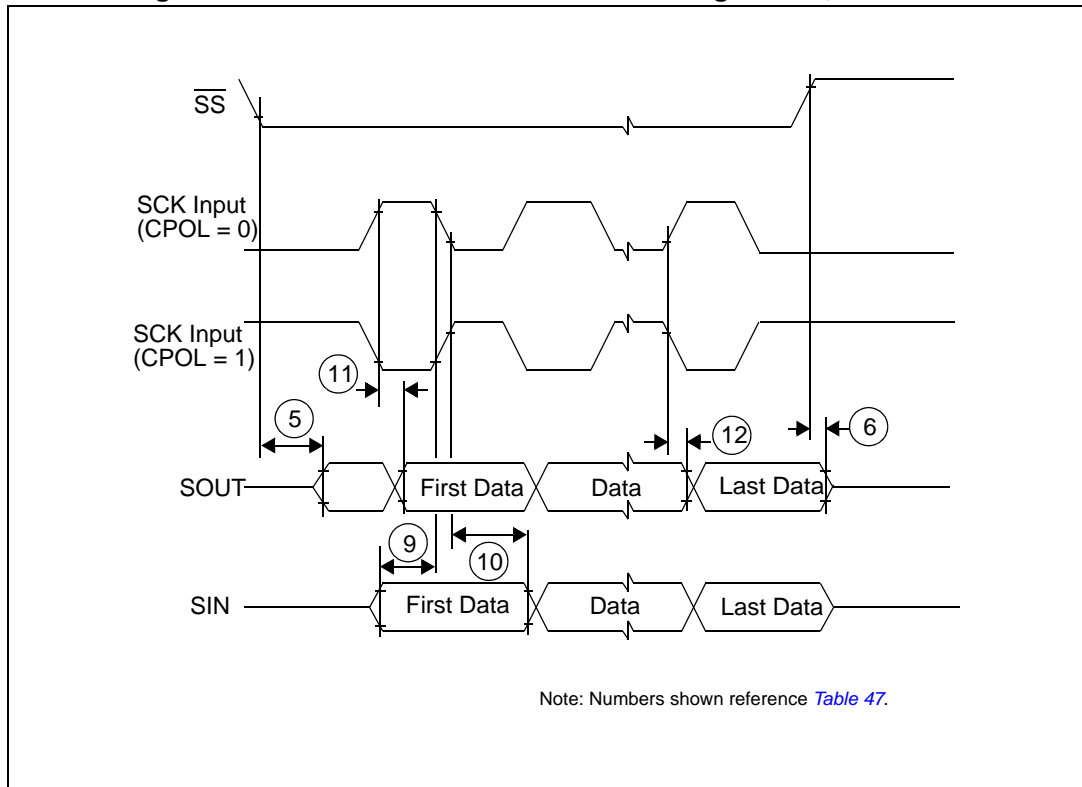


Figure 31. DSPI PCS strobe (PCSS) timing



### 3.27.3 Nexus characteristics

Table 48. Nexus characteristics

| No. | Symbol     | C  | D | Parameter                  | Value |     |     | Unit |
|-----|------------|----|---|----------------------------|-------|-----|-----|------|
|     |            |    |   |                            | Min   | Typ | Max |      |
| 1   | $t_{TCYC}$ | CC | D | TCK cycle time             | 64    | —   | —   | ns   |
| 2   | $t_{MCYC}$ | CC | D | MCKO cycle time            | 32    | —   | —   | ns   |
| 3   | $t_{MDOV}$ | CC | D | MCKO low to MDO data valid | —     | —   | 8   | ns   |



Table 48. Nexus characteristics (continued)

| No. | Symbol      | C  | Parameter | Value                         |     |     | Unit |    |
|-----|-------------|----|-----------|-------------------------------|-----|-----|------|----|
|     |             |    |           | Min                           | Typ | Max |      |    |
| 4   | $t_{MSEOV}$ | CC | D         | MCKO low to MSEO_b data valid | —   | —   | 8    | ns |
| 5   | $t_{EVTOV}$ | CC | D         | MCKO low to EVTO data valid   | —   | —   | 8    | ns |
| 10  | $t_{NTDIS}$ | CC | D         | TDI data setup time           | 15  | —   | —    | ns |
|     | $t_{NTMSS}$ | CC | D         | TMS data setup time           | 15  | —   | —    | ns |
| 11  | $t_{NTDIH}$ | CC | D         | TDI data hold time            | 5   | —   | —    | ns |
|     | $t_{NTMSH}$ | CC | D         | TMS data hold time            | 5   | —   | —    | ns |
| 12  | $t_{TDOV}$  | CC | D         | TCK low to TDO data valid     | 35  | —   | —    | ns |
| 13  | $t_{TDOI}$  | CC | D         | TCK low to TDO data invalid   | 6   | —   | —    | ns |

Figure 32. Nexus TDI, TMS, TDO timing



### 3.27.4 JTAG characteristics

Table 49. JTAG characteristics

| No. | Symbol     | C  | Parameter | Value                  |     |     | Unit |    |
|-----|------------|----|-----------|------------------------|-----|-----|------|----|
|     |            |    |           | Min                    | Typ | Max |      |    |
| 1   | $t_{JCYC}$ | CC | D         | TCK cycle time         | 64  | —   | —    | ns |
| 2   | $t_{TDIS}$ | CC | D         | TDI setup time         | 15  | —   | —    | ns |
| 3   | $t_{TDIH}$ | CC | D         | TDI hold time          | 5   | —   | —    | ns |
| 4   | $t_{TMSS}$ | CC | D         | TMS setup time         | 15  | —   | —    | ns |
| 5   | $t_{TMSh}$ | CC | D         | TMS hold time          | 5   | —   | —    | ns |
| 6   | $t_{TDOV}$ | CC | D         | TCK low to TDO valid   | —   | —   | 33   | ns |
| 7   | $t_{TDOI}$ | CC | D         | TCK low to TDO invalid | 6   | —   | —    | ns |

Figure 33. Timing diagram – JTAG boundary scan



## 4 Package characteristics

### 4.1 ECOPACK®

In order to meet environmental requirements, ST offers these devices in different grades of ECOPACK® packages, depending on their level of environmental compliance. ECOPACK® specifications, grade definitions and product status are available at: [www.st.com](http://www.st.com). ECOPACK® is an ST trademark.

### 4.2 Package mechanical data

#### 4.2.1 LQFP64

Figure 34. LQFP64 package mechanical drawing

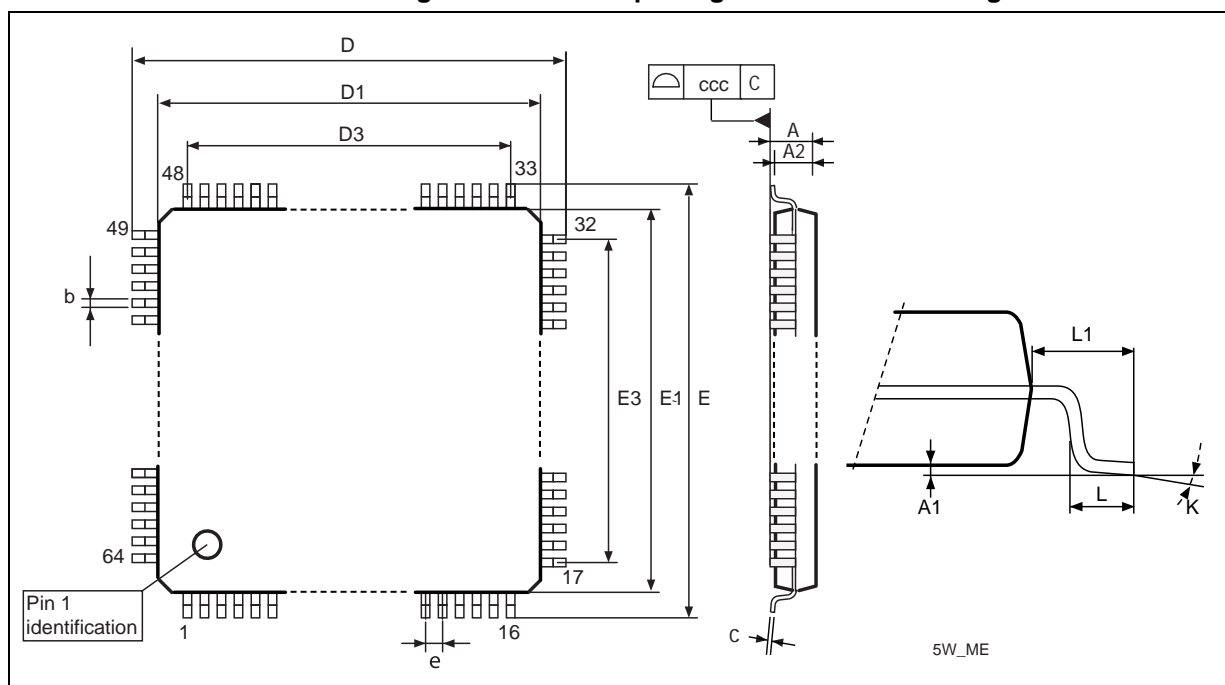


Table 50. LQFP64 mechanical data

| Symbol | mm   |      |      | inches <sup>(1)</sup> |        |        |
|--------|------|------|------|-----------------------|--------|--------|
|        | Min  | Typ  | Max  | Min                   | Typ    | Max    |
| A      | —    | —    | 1.6  | —                     | —      | 0.063  |
| A1     | 0.05 | —    | 0.15 | 0.002                 | —      | 0.0059 |
| A2     | 1.35 | 1.4  | 1.45 | 0.0531                | 0.0551 | 0.0571 |
| b      | 0.17 | 0.22 | 0.27 | 0.0067                | 0.0087 | 0.0106 |
| c      | 0.09 | —    | 0.2  | 0.0035                | —      | 0.0079 |
| D      | 11.8 | 12   | 12.2 | 0.4646                | 0.4724 | 0.4803 |

Table 50. LQFP64 mechanical data (continued)

| Symbol | mm   |      |      | inches <sup>(1)</sup> |        |        |
|--------|------|------|------|-----------------------|--------|--------|
|        | Min  | Typ  | Max  | Min                   | Typ    | Max    |
| D1     | 9.8  | 10   | 10.2 | 0.3858                | 0.3937 | 0.4016 |
| D3     | —    | 7.5  | —    | —                     | 0.2953 | —      |
| E      | 11.8 | 12   | 12.2 | 0.4646                | 0.4724 | 0.4803 |
| E1     | 9.8  | 10   | 10.2 | 0.3858                | 0.3937 | 0.4016 |
| E3     | —    | 7.5  | —    | —                     | 0.2953 | —      |
| e      | —    | 0.5  | —    | —                     | 0.0197 | —      |
| L      | 0.45 | 0.6  | 0.75 | 0.0177                | 0.0236 | 0.0295 |
| L1     | —    | 1    | —    | —                     | 0.0394 | —      |
| k      | 0.0° | 3.5° | 7.0° | 0.0°                  | 3.5°   | 7.0°   |
| ccc    | —    | —    | 0.08 | —                     | —      | 0.0031 |

1. Values in inches are converted from mm and rounded to 4 decimal digits.

4.2.2 LQFP100

Figure 35. LQFP100 package mechanical drawing



Table 51. LQFP100 mechanical data

| Symbol | mm     |        |        | inches <sup>(1)</sup> |        |        |
|--------|--------|--------|--------|-----------------------|--------|--------|
|        | Min    | Typ    | Max    | Min                   | Typ    | Max    |
| A      | —      | —      | 1.600  | —                     | —      | 0.0630 |
| A1     | 0.050  | —      | 0.150  | 0.0020                | —      | 0.0059 |
| A2     | 1.350  | 1.400  | 1.450  | 0.0531                | 0.0551 | 0.0571 |
| b      | 0.170  | 0.220  | 0.270  | 0.0067                | 0.0087 | 0.0106 |
| c      | 0.090  | —      | 0.200  | 0.0035                | —      | 0.0079 |
| D      | 15.800 | 16.000 | 16.200 | 0.6220                | 0.6299 | 0.6378 |
| D1     | 13.800 | 14.000 | 14.200 | 0.5433                | 0.5512 | 0.5591 |
| D3     | —      | 12.000 | —      | —                     | 0.4724 | —      |
| E      | 15.800 | 16.000 | 16.200 | 0.6220                | 0.6299 | 0.6378 |

Table 51. LQFP100 mechanical data (continued)

| Symbol    | mm     |        |        | inches <sup>(1)</sup> |        |        |
|-----------|--------|--------|--------|-----------------------|--------|--------|
|           | Min    | Typ    | Max    | Min                   | Typ    | Max    |
| E1        | 13.800 | 14.000 | 14.200 | 0.5433                | 0.5512 | 0.5591 |
| E3        | —      | 12.000 | —      | —                     | 0.4724 | —      |
| e         | —      | 0.500  | —      | —                     | 0.0197 | —      |
| L         | 0.450  | 0.600  | 0.750  | 0.0177                | 0.0236 | 0.0295 |
| L1        | —      | 1.000  | —      | —                     | 0.0394 | —      |
| k         | 0.0 °  | 3.5 °  | 7.0 °  | 0.0 °                 | 3.5 °  | 7.0 °  |
| Tolerance | mm     |        |        | inches                |        |        |
| ccc       | 0.080  |        |        | 0.0031                |        |        |

1. Values in inches are converted from mm and rounded to 4 decimal digits.

4.2.3 LQFP144

Figure 36. LQFP144 package mechanical drawing

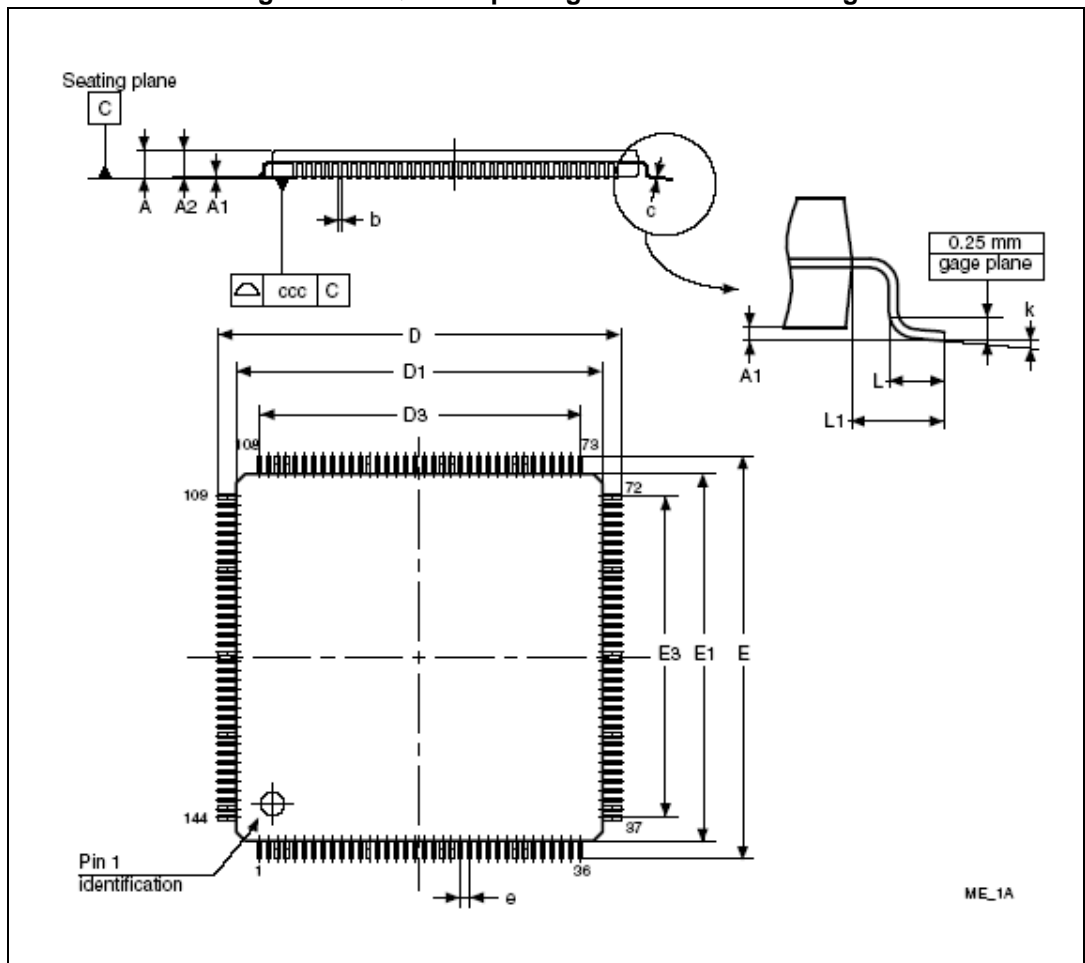


Table 52. LQFP144 mechanical data

| Symbol    | mm     |        |        | inches <sup>(1)</sup> |        |        |
|-----------|--------|--------|--------|-----------------------|--------|--------|
|           | Min    | Typ    | Max    | Min                   | Typ    | Max    |
| A         | —      | —      | 1.600  | —                     | —      | 0.0630 |
| A1        | 0.050  | —      | 0.150  | 0.0020                | —      | 0.0059 |
| A2        | 1.350  | 1.400  | 1.450  | 0.0531                | 0.0551 | 0.0571 |
| b         | 0.170  | 0.220  | 0.270  | 0.0067                | 0.0087 | 0.0106 |
| c         | 0.090  | —      | 0.200  | 0.0035                | —      | 0.0079 |
| D         | 21.800 | 22.000 | 22.200 | 0.8583                | 0.8661 | 0.8740 |
| D1        | 19.800 | 20.000 | 20.200 | 0.7795                | 0.7874 | 0.7953 |
| D3        | —      | 17.500 | —      | —                     | 0.6890 | —      |
| E         | 21.800 | 22.000 | 22.200 | 0.8583                | 0.8661 | 0.8740 |
| E1        | 19.800 | 20.000 | 20.200 | 0.7795                | 0.7874 | 0.7953 |
| E3        | —      | 17.500 | —      | —                     | 0.6890 | —      |
| e         | —      | 0.500  | —      | —                     | 0.0197 | —      |
| L         | 0.450  | 0.600  | 0.750  | 0.0177                | 0.0236 | 0.0295 |
| L1        | —      | 1.000  | —      | —                     | 0.0394 | —      |
| k         | 0.0 °  | 3.5 °  | 7.0 °  | 3.5 °                 | 0.0 °  | 7.0 °  |
| Tolerance | mm     |        |        | inches                |        |        |
| ccc       | 0.080  |        |        | 0.0031                |        |        |

1. Values in inches are converted from mm and rounded to 4 decimal digits.

4.2.4 LPGA208

Figure 37. LPGA208 package mechanical drawing



1. The terminal A1 corner must be identified on the top surface by using a corner chamfer, ink or metallized markings, or other feature of package body or integral heatslug. A distinguishing feature is allowable on the bottom surface of the package to identify the terminal A1 corner. Exact shape of each corner is optional.

Table 53. LPGA208 mechanical data

| Symbol | mm   |       |      | inches <sup>(1)</sup> |        |        | Notes |
|--------|------|-------|------|-----------------------|--------|--------|-------|
|        | Min  | Typ   | Max  | Min                   | Typ    | Max    |       |
| A      | —    | —     | 1.70 | —                     | —      | 0.0669 | (2)   |
| A1     | 0.30 | —     | —    | 0.0118                | —      | —      | —     |
| A2     | —    | 1.085 | —    | —                     | 0.0427 | —      | —     |
| A3     | —    | 0.30  | —    | —                     | 0.0118 | —      | —     |
| A4     | —    | —     | 0.80 | —                     | —      | 0.0315 | —     |
| b      | 0.50 | 0.60  | 0.70 | 0.0197                | 0.0236 | 0.0276 | (3)   |



**Table 53. LBGA208 mechanical data (continued)**

| Symbol | mm    |       |       | inches <sup>(1)</sup> |        |        | Notes |
|--------|-------|-------|-------|-----------------------|--------|--------|-------|
|        | Min   | Typ   | Max   | Min                   | Typ    | Max    |       |
| D      | 16.80 | 17.00 | 17.20 | 0.6614                | 0.6693 | 0.6772 | —     |
| D1     | —     | 15.00 | —     | —                     | 0.5906 | —      | —     |
| E      | 16.80 | 17.00 | 17.20 | 0.6614                | 0.6693 | 0.6772 | —     |
| E1     | —     | 15.00 | —     | —                     | 0.5906 | —      | —     |
| e      | —     | 1.00  | —     | —                     | 0.0394 | —      | —     |
| F      | —     | 1.00  | —     | —                     | 0.0394 | —      | —     |
| ddd    | —     | —     | 0.20  | —                     | —      | 0.0079 | —     |
| eee    | —     | —     | 0.25  | —                     | —      | 0.0098 | (4)   |
| fff    | —     | —     | 0.10  | —                     | —      | 0.0039 | (5)   |

1. Values in inches are converted from mm and rounded to four decimal digits.
2. LBGA stands for **Low profile Ball Grid Array**.
  - Low profile: The total profile height (Dim A) is measured from the seating plane to the top of the component
  - The maximum total package height is calculated by the following methodology:  
 $A2\ Typ + A1\ Typ + \sqrt{A1^2 + A3^2 + A4^2}$  tolerance values
  - Low profile:  $1.20\ mm < A \leq 1.70\ mm$
3. The typical ball diameter before mounting is 0.60 mm.
4. The tolerance of position that controls the location of the pattern of balls with respect to datums A and B. For each ball there is a cylindrical tolerance zone eee perpendicular to datum C and located on true position with respect to datums A and B as defined by e. The axis perpendicular to datum C of each ball must lie within this tolerance zone.
5. The tolerance of position that controls the location of the balls within the matrix with respect to each other. For each ball there is a cylindrical tolerance zone fff perpendicular to datum C and located on true position as defined by e. The axis perpendicular to datum C of each ball must lie within this tolerance zone. Each tolerance zone fff in the array is contained entirely in the respective zone eee above. The axis of each ball must lie simultaneously in both tolerance zones.

# 5 Ordering information

Figure 38. Commercial product code structure



1. LBGA208 available only as development package for Nexus2+

## Appendix A Abbreviations

[Table 54](#) lists abbreviations used but not defined elsewhere in this document.

**Table 54. Abbreviations**

| Abbreviation | Meaning                                 |
|--------------|---|
| CMOS         | Complementary metal–oxide–semiconductor |
| CPHA         | Clock phase                             |
| CPOL         | Clock polarity                          |
| CS           | Peripheral chip select                  |
| EVTO         | Event out                               |
| MCKO         | Message clock out                       |
| MDO          | Message data out                        |
| MSEO         | Message start/end out                   |
| MTFE         | Modified timing format enable           |
| SCK          | Serial communications clock             |
| SOUT         | Serial data out                         |
| TBD          | To be defined                           |
| TCK          | Test clock input                        |
| TDI          | Test data input                         |
| TDO          | Test data output                        |
| TMS          | Test mode select                        |

## Revision history

**Table 55. Document revision history**

| Date        | Revision | Changes   |
|-------------|----------|---|
| 04-Apr-2008 | 1        | Initial release.  |
| 06-Mar-2009 | 2        | <p>Made minor editing and formatting changes to improve readability</p> <p>Harmonized oscillator naming throughout document</p> <p>Modified document title</p> <p>Updated "Feature" on cover page</p> <p>Replaced LFBGA208 with LBGA208</p> <p>Updated "Description" Section</p> <p>Updated "SPC560B40x/50x and SPC560C40x/50x device comparison" table</p> <p>Added "Block diagram" section</p> <p>Section 3 "Package pinouts and signal descriptions":</p> <ul style="list-style-type: none"> <li>– Removed signal descriptions (these are found in the device reference manual)</li> </ul> <p>Updated "LQFP 144-pin configuration (top view)" figure:</p> <ul style="list-style-type: none"> <li>– Replaced VPP with VSS_HV on pin 18</li> <li>– Added MA[1] as AF3 for PC[10] (pin 28)</li> <li>– Added MA[0] as AF2 for PC[3] (pin 116)</li> <li>– Changed description for pin 120 to PH[10] / GPIO[122] / TMS</li> <li>– Changed description for pin 127 to PH[9] / GPIO[121] / TCK</li> <li>– Replaced NMI[0] with NMI on pin 11</li> </ul> <p>Updated "LQFP 100-pin configuration (top view)" figure:</p> <ul style="list-style-type: none"> <li>– Replaced VPP with VSS_HV on pin 14</li> <li>– Added MA[1] as AF3 for PC[10] (pin 22)</li> <li>– Added MA[0] as AF2 for PC[3] (pin 77)</li> <li>– Changed description for pin 81 to PH[10] / GPIO[122] / TMS</li> <li>– Changed description for pin 88 to PH[9] / GPIO[121] / TCK</li> <li>– Removed E1UC[19] from pin 76</li> <li>– Replaced [11] with WKUP[11] for PB[3] (pin 1)</li> <li>– Replaced NMI[0] with NMI on pin 7</li> </ul> <p>Updated "LBGA208 configuration" figure:</p> <ul style="list-style-type: none"> <li>– Changed description for ball B8 from TCK to PH[9]</li> <li>– Changed description for ball B9 from TMS to PH[10]</li> <li>– Updated descriptions for balls R9 and T9</li> </ul> <p>Added "Parameter classification" section and tagged parameters in tables where appropriate</p> <p>Added "NVUSRO register" section</p> <p>Updated "Absolute maximum ratings" table</p> <p>"Recommended operating conditions" section :</p> <ul style="list-style-type: none"> <li>– Added note on RAM data retention to end of section</li> </ul> <p>Updated "Recommended operating conditions (3.3 V)" and "Recommended operating conditions (5.0 V)"</p> <p>Added "Package thermal characteristics" section</p> <p>Updated "Power considerations" section</p> <p>Updated I/O input DC electrical characteristics definition" figure</p> |

**Table 55. Document revision history (continued)**

| Date        | Revision         | Changes  |
|-------------|------------------|--|
| 06-Mar-2009 | 2<br>(continued) | Updated tables: <ul style="list-style-type: none"> <li>– “I/O input DC electrical characteristics”</li> <li>– “I/O pull-up/pull-down DC electrical characteristics”</li> <li>– “SLOW configuration output buffer electrical characteristics”</li> <li>– “MEDIUM configuration output buffer electrical characteristics”</li> <li>– “FAST configuration output buffer electrical characteristics”</li> </ul> Added “Output pin transition times” section<br>Updated “I/O consumption” table<br>Updated “Start-up reset requirements” figure<br>Updated “Reset electrical characteristics” table<br>“Voltage regulator electrical characteristics” section: <ul style="list-style-type: none"> <li>– Amended description of LV_PLL</li> </ul> “Voltage regulator capacitance connection” figure: <ul style="list-style-type: none"> <li>– Exchanged position of symbols C<sub>DEC1</sub> and C<sub>DEC2</sub></li> </ul> Updated tables” <ul style="list-style-type: none"> <li>– “Voltage regulator electrical characteristics”</li> <li>– “Low voltage monitor electrical characteristics”</li> <li>– “Low voltage power domain electrical characteristics”</li> </ul> Added “Low voltage monitor vs reset” figure<br>Updated “Flash memory electrical characteristics” section<br>Added “Electromagnetic compatibility (EMC) characteristics” section<br>Updated “Fast external crystal oscillator (4 to 16 MHz) electrical characteristics” section<br>Updated “Slow external crystal oscillator (32 kHz) electrical characteristics” section<br>Updated tables: <ul style="list-style-type: none"> <li>– “FMPLL electrical characteristics”</li> <li>– “Fast internal RC oscillator (16 MHz) electrical characteristics”</li> <li>– “Slow internal RC oscillator (128 kHz) electrical characteristics”</li> </ul> Added “On-chip peripherals” section<br>Added “ADC input leakage current” table<br>Updated “ADC conversion characteristics” table<br>Updated “ECOPACK®” section<br>Corrected inverted column headings for typical and minimum dimensions in “LQFP64 mechanical data” and “LQFP100 mechanical data” tables<br>Added “Abbreviation” appendix |
| 03-Jun-2009 | 3                | Corrected “Commercial product code structure” figure   |

**Table 55. Document revision history (continued)**

| Date        | Revision | Changes  |
|-------------|----------|--|
| 06-Aug-2009 | 4        | <p>Updated “LBGA208 configuration” figure</p> <p>“Absolute maximum ratings” table:</p> <ul style="list-style-type: none"> <li>– <math>V_{DD\_ADC}</math>, <math>V_{IN}</math>: changed min value for “relative to <math>V_{DD}</math>” condition</li> <li>– <math>I_{CORELV}</math>: added new row</li> </ul> <p>“Recommended operating conditions (5.0 V)” table:</p> <ul style="list-style-type: none"> <li>– <math>T_A</math> C-Grade Part, <math>T_J</math> C-Grade Part, <math>T_A</math> V-Grade Part, <math>T_J</math> V-Grade Part, <math>T_A</math> M-Grade Part, <math>T_J</math> M-Grade Part: added new rows</li> <li>– Changed capacitance value in footnote</li> </ul> <p>“Output pin transition times” table:</p> <ul style="list-style-type: none"> <li>– MEDIUM configuration: added condition for <math>PAD3V5V = 0</math></li> </ul> <p>Updated “Voltage regulator capacitance connection”</p> <p>“Voltage regulator electrical characteristics” table:</p> <ul style="list-style-type: none"> <li>– <math>C_{DEC1}</math>: changed min value</li> <li>– <math>I_{MREG}</math>: changed max value</li> <li>– <math>I_{DD\_BV}</math>: added max value footnote</li> </ul> <p>“Low voltage monitor electrical characteristics” table:</p> <ul style="list-style-type: none"> <li>– <math>V_{LVDHV3H}</math>, <math>V_{LVDHV5H}</math>: changed max value</li> <li>– <math>V_{LVDHV3L}</math>, <math>V_{LVDHV5L}</math>: added max value</li> </ul> <p>Updated “Low voltage power domain electrical characteristics” table</p> <p>“Flash module life” table:</p> <ul style="list-style-type: none"> <li>– Retention: deleted min value footnote for “Blocks with 100000 P/E cycles”</li> </ul> <p>“Fast external crystal oscillator (4 to 16 MHz) electrical characteristics” table:</p> <ul style="list-style-type: none"> <li>– <math>I_{FXOSC}</math>: added typ value</li> </ul> <p>“Slow external crystal oscillator (32 kHz) electrical characteristics” table</p> <ul style="list-style-type: none"> <li>– <math>V_{SXOSC}</math>: changed typ value</li> <li>– <math>T_{SXOSCSU}</math>: added max value footnote</li> </ul> <p>“FMPLL electrical characteristics” table</p> <ul style="list-style-type: none"> <li>– <math>\Delta t_{LTJIT}</math>: added max value</li> </ul> <p>Updated “LQFP100 package mechanical drawing”</p> |

**Table 55. Document revision history (continued)**

| Date        | Revision | Changes   |
|-------------|----------|---|
| 20-Jan-2010 | 5        | Table: "Absolute maximum ratings"<br>– V <sub>DD_BV</sub> , V <sub>DD_ADC</sub> , V <sub>IN</sub> : changed max value<br>Table: "Recommended operating conditions (3.3 V)"<br>– TV <sub>DD</sub> : deleted min value<br>Table: "Reset electrical characteristics"<br>– Changed footnotes 2 and 5<br>Table: "Voltage regulator electrical characteristics"<br>– C <sub>REGn</sub> : changed max value<br>– C <sub>DEC1</sub> : split into 2 rows<br>– Updated voltage values in footnote 3<br>Table: "Low voltage monitor electrical characteristics"<br>– Updated column Conditions<br>– V <sub>LVDLVCORL</sub> , V <sub>LVDLVBKPL</sub> : changed min/max value<br>Table: "Program and erase specifications"<br>– T <sub>dwprogram</sub> : added initial max value<br>Table: "Flash module life"<br>– Retention: changed min value for blocks with 100K P/E cycles<br>Table: "Flash power supply DC electrical characteristics"<br>– IF <sub>READ</sub> , IF <sub>MOD</sub> : added typ value<br>– Added a footnote<br>Added Section: " NVUSRO[WATCHDOG_EN] field description"<br>Section 4.18: "ADC electrical characteristics" has been moved up in hierarchy (it was Section 4.18.5).<br>Table: " ADC conversion characteristics"<br>– R <sub>AD</sub> : changed initial max value<br>Table: "On-chip peripherals current consumption"<br>– Removed min/max from the heading<br>– Changed unit of measurement and consequently rounded the values |
| 15-Mar-2010 | 6        | Internal release.   |

**Table 55. Document revision history (continued)**

| Date        | Revision | Changes   |
|-------------|----------|---|
| 22-Jul-2010 | 7        | <p><b>Changes between revisions 5 and 7</b></p> <p>Added LQFP64 package information</p> <p>Updated the “Features“ section.</p> <p>Section “Introduction”</p> <ul style="list-style-type: none"> <li>– Relocated a note</li> </ul> <p>Table: “SPC560B40x/50x and SPC560C40x/50x device comparison“</p> <ul style="list-style-type: none"> <li>– Added footnote regarding SCI and CAN</li> </ul> <p>Added eDMA block in the “SPC560B40x/50x and SPC560C40x/50x series block diagram” figure</p> <p>Removed alternate function information from “LQFP 100-pin configuration” and “LQFP 100-pin configuration” figures.</p> <p>Added “Functional port pin descriptions” table</p> <p>Deleted the “NVUSRO[WATCHDOG_EN] field description“ section</p> <p>Table: “Absolute maximum ratings“</p> <ul style="list-style-type: none"> <li>– Removed the min value of <math>V_{IN}</math> relative to <math>V_{DD}</math></li> </ul> <p>Table “Recommended operating conditions (3.3 V)”</p> <ul style="list-style-type: none"> <li>– <math>T_{VDD}</math>: made single row</li> </ul> <p>”Recommended operating conditions (5.0 V)”</p> <ul style="list-style-type: none"> <li>– deleted <math>T_A</math> C-Grade Part, <math>T_J</math> C-Grade Part, <math>T_A</math> V-Grade Part, <math>T_J</math> V-Grade Part, <math>T_A</math> M-Grade Part, <math>T_J</math> M-Grade Part <math>T_{OWS}</math></li> </ul> <p>Table: “LQFP thermal characteristics”</p> <ul style="list-style-type: none"> <li>– Added more rows</li> <li>– Rounded the values</li> </ul> <p>Removed table “LBGA208 thermal characteristics”</p> <p>Table “I/O input DC electrical characteristics”</p> <ul style="list-style-type: none"> <li>– <math>W_{FI}</math>: insered a footnote</li> <li>– <math>W_{NFI}</math>: insered a footnote</li> </ul> <p>Table “I/O consuption“</p> <ul style="list-style-type: none"> <li>– Removed <math>I_{DYNSEG}</math> row</li> <li>– Added “I/O weight “ table</li> </ul> <p>Replaced “<math>\overline{nRSTIN}</math>” with “RESET” in the “RESET electrical characteristics” section.</p> <p>Table “Voltage regulator electrical characteristics“</p> <ul style="list-style-type: none"> <li>– Updated the values</li> <li>– Removed <math>I_{VREGREF}</math> and <math>I_{VREDLVD12}</math></li> <li>– Added a note about <math>I_{DD\_BC}</math></li> </ul> <p>Table: “Low voltage monitor electrical characteristics“</p> <ul style="list-style-type: none"> <li>– changed min value <math>V_{LVDHV3L}</math>, from 2.7 to 2.6</li> <li>– Inserted max value of <math>V_{LVDLVCORL}</math></li> <li>– Updated <math>V_{PORH}</math> values</li> <li>– Updated <math>V_{LVDLVCORL}</math> value</li> </ul> <p>Table “Low voltage power domain electrical characteristics“</p> <ul style="list-style-type: none"> <li>– Entirely updated</li> </ul> <p>Table “Program and erase specifications“</p> <ul style="list-style-type: none"> <li>– Inserted <math>T_{eslat}</math> row</li> </ul> <p>Table “Flash power supply DC electrical characteristics“</p> <ul style="list-style-type: none"> <li>– Entirely updated</li> </ul> |



Table 55. Document revision history (continued)

| Date        | Revision         | Changes   |
|-------------|------------------|---|
| 22-Jul-2010 | 7<br>(continued) | <p>Table "Start-up time/Switch-off time"<br/>– Entirely updated</p> <p>Figures "Crystal oscillator and resonator connection scheme"<br/>– Relocated a note</p> <p>Table "Slow external crystal oscillator (32 kHz) electrical characteristics"<br/>– Removed <math>g_{mSXOSC}</math> row<br/>– Inserted values of <math>I_{SXOSCBIAS}</math></p> <p>Table "FMPLL electrical characteristics"<br/>– Rounded the values of <math>f_{VCO}</math></p> <p>Table "Fast internal RC oscillator (16 MHz) electrical characteristics"<br/>– Entirely updated.</p> <p>Table "ADC conversion characteristics"<br/>– Updated the description of the conditions of <math>t_{ADC\_PU}</math> and <math>t_{ADC\_S}</math>.<br/>– Added "<math>I_{ADCPWD}</math>" and "<math>I_{ADCRUN}</math>" rows</p> <p>Table "DSPI characteristics"<br/>– Entirely updated.</p> <p>Updated "Order codes" table.</p> <p>Figure "Commercial product code structure"<br/>– Replaced PowerPC with "Power Architecture™" in the product identifier<br/>– Removed the note about the condition from "Flash read access timing" table<br/>– Removed the notes that assert the values need to be confirmed before validation<br/>– Exchanged the order of "LQFP 100-pin configuration" and "LQFP 144-pin configuration"<br/>– Exchanged the order of "LQFP 100-pin package mechanical drawing" and "LQFP 144-pin package mechanical drawing"</p> |
| 25-Nov-2010 | 8                | <p>Editorial changes and improvements.</p> <p>In the "SPC560B40x/50x and SPC560C40x/50x device comparison" table, changed the temperature value from 105 to 125 °C, in the footnote regarding "Execution speed".</p> <p>In the "LQFP thermal characteristics" table, added values concerning LQFP64 package.</p> <p>In the "MEDIUM configuration output buffer electrical characteristics" table: fixed a typo in last row of conditions column, there was <math>I_{OH}</math> that now is <math>I_{OL}</math>.</p> <p>In the "Reset electrical characteristics" table, changed the parameter classification tag for <math>V_{OL}</math> and <math> I_{WPU} </math>.</p> <p>In the "Low voltage monitor electrical characteristics" table, changed the max value of <math>V_{LVDLVCORL}</math> from 1.5V to 1.15V.</p> <p>In the "Program and erase specifications" table, replaced "<math>T_{eslat}</math>" with "<math>T_{esus}</math>".</p> <p>In the "FMPLL electrical characteristics" table, changed the parameter classification tag for <math>f_{VCO}</math>.</p>   |

Table 55. Document revision history (continued)

| Date        | Revision | Changes  |
|-------------|----------|--|
| 01-Oct-2011 | 9        | <p>Formatting and minor editorial changes throughout</p> <p>Harmonized oscillator nomenclature</p> <p>Device summary table: removed 384 KB code flash device versions</p> <p>Device comparison table: changed temperature value in footnote 2 from 105 °C to 125 °C; removed 384 KB code flash device versions</p> <p>LQFP 64-pin configuration: renamed pin 6 from VPP_TEST to VSS_HV</p> <p>Removed "Pin Muxing" section; added sections "Pad configuration during reset phases", "Voltage supply pins", "Pad types", "System pins," "Functional ports", and "Nexus 2+ pins"</p> <p>Section "NVUSRO register": edited content to separate configuration into electrical parameters and digital functionality; updated footnote describing default value of '1' in field descriptions NVUSRO[PAD3V5V] and NVUSRO[OSCILLATOR_MARGIN]</p> <p>Added section "NVUSRO[WATCHDOG_EN] field description"</p> <p>Recommended operating conditions (3.3 V) and Recommended operating conditions (5.0 V): updated conditions for ambient and junction temperature characteristics</p> <p>I/O input DC electrical characteristics: updated I<sub>LKG</sub> characteristics</p> <p>Section "I/O pad current specification": removed content referencing the I<sub>DYNSEG</sub> maximum value</p> <p>I/O consumption: replaced instances of "Root medium square" with "Root mean square"</p> <p>I/O weight: replaced instances of bit "SRE" with "SRC"; added pads PH[9] and PH[10]; added supply segments; removed weight values in 64-pin LQFP for pads that do not exist in that package</p> <p>Reset electrical characteristics: updated parameter classification for  I<sub>WPU</sub> </p> <p>Updated Voltage regulator electrical characteristics</p> <p>Section "Low voltage detector electrical characteristics": changed title (was "Voltage monitor electrical characteristics"); added event status flag names found in RGM chapter of device reference manual to POR module and LVD descriptions; replaced instances of "Low voltage monitor" with "Low voltage detector"; updated values for V<sub>LVDLVBKPL</sub> and V<sub>LVDLVCORL</sub>; replaced "LVD_DIGBKP" with "LVDLVBKP" in note</p> <p>Updated section "Power consumption"</p> <p>Fast external crystal oscillator (4 to 16 MHz) electrical characteristics: updated parameter classification for V<sub>FXOSCOP</sub></p> <p>Crystal oscillator and resonator connection scheme: added footnote about possibility of adding a series resistor</p> <p>Slow external crystal oscillator (32 kHz) electrical characteristics: updated footnote 1</p> <p>FMPLL electrical characteristics: added short term jitter characteristics; inserted "—" in empty min value cell of t<sub>lock</sub> row</p> <p>Section "Input impedance and ADC accuracy": changed "V<sub>A</sub>/V<sub>A2</sub>" to "V<sub>A2</sub>/V<sub>A</sub>" in Equation 11</p> <p>ADC input leakage current: updated I<sub>LKG</sub> characteristics</p> <p>ADC conversion characteristics: updated symbols</p> <p>On-chip peripherals current consumption: changed "supply current on "V<sub>DD_HV_ADC</sub>" to "supply current on" V<sub>DD_HV</sub>" in I<sub>DD_HV(FLASH)</sub> row; updated I<sub>DD_HV(PLL)</sub> value—was 3 * f<sub>periph</sub>, is 30 * f<sub>periph</sub>; updated footnotes</p> <p>DSPI characteristics: added rows t<sub>PCSC</sub> and t<sub>PASC</sub></p> <p>Added DSPI PCS strobe (PCSS) timing diagram</p> <p>Updated order codes.</p> |
| 17-Jan-2013 | 10       | Internal review.   |

Table 55. Document revision history (continued)

| Date        | Revision | Changes   |
|-------------|----------|---|
| 18-Jan-2013 | 11       | <p>In the cover feature list, replaced “System watchdog timer” with “Software watchdog timer”</p> <p><i>Table 3 (SPC560B40x/50x and SPC560C40x/50x series block summary)</i>, replaced “System watchdog timer” with “Software watchdog timer” and specified AUTOSAR (Automotive Open System Architecture)</p> <p><i>Table 6 (Functional port pin descriptions)</i>, replaced VDD with VDD_HV</p> <p><i>Figure 9 (Voltage regulator capacitance connection)</i>, updated pin name appearance</p> <p>Renamed <i>Figure 10 (V<sub>DD_HV</sub> and V<sub>DD_BV</sub> maximum slope)</i> (was “VDD and VDD_BV maximum slope”) and replaced VDD_HV(MIN) with VPORH(MAX)</p> <p>Renamed <i>Figure 11 (V<sub>DD_HV</sub> and V<sub>DD_BV</sub> supply constraints during STANDBY mode exit)</i> (was “VDD and VDD_BV supply constraints during STANDBY mode exit”)</p> <p><i>Table 13 (Recommended operating conditions (3.3 V))</i>, added minimum value of T<sub>VDD</sub> and footnote about it.</p> <p><i>Table 14 (Recommended operating conditions (5.0 V))</i>, added minimum value of T<sub>VDD</sub> and footnote about it.</p> <p><i>Section 3.17.1, Voltage regulator electrical characteristics:</i></p> <p>replaced “slew rate of V<sub>DD</sub>/V<sub>DD_BV</sub>” with “slew rate of both V<sub>DD_HV</sub> and V<sub>DD_BV</sub>”</p> <p>replaced “When STANDBY mode is used, further constraints apply to the V<sub>DD</sub>/V<sub>DD_BV</sub> in order to guarantee correct regulator functionality during STANDBY exit.” with “When STANDBY mode is used, further constraints are applied to the both V<sub>DD_HV</sub> and V<sub>DD_BV</sub> in order to guarantee correct regulator function during STANDBY exit.”</p> <p><i>Table 28 (Power consumption on VDD_BV and VDD_HV)</i>, updated footnotes of I<sub>DDMAX</sub> and I<sub>DDRUN</sub> stating that both currents are drawn only from the V<sub>DD_BV</sub> pin.</p> <p><i>Table 32 (Flash memory power supply DC electrical characteristics)</i>, in the parameter column replaced V<sub>DD_BV</sub> and V<sub>DD_HV</sub> respectively with VDD_BV and VDD_HV.</p> <p><i>Table 46 (On-chip peripherals current consumption)</i>, in the parameter column replaced V<sub>DD_BV</sub>, V<sub>DD_HV</sub> and V<sub>DD_HV_ADC</sub> respectively with VDD_BV, VDD_HV and VDD_HV_ADC</p> <p>Updated <i>Section 3.26.2, Input impedance and ADC accuracy</i></p> <p><i>Table 47 (DSPI characteristics)</i>, modified symbol for t<sub>PCSC</sub> and t<sub>PASC</sub></p> |
| 18-Sep-2013 | 12       | Updated Disclaimer.   |
| 03-Feb-2015 | 13       | <p>In <i>Table 2: SPC560B40x/50x and SPC560C40x/50x device comparison</i>:</p> <ul style="list-style-type: none"> <li>– changed the MPC5604BxLH entry for CAN (FlexCAN) from 3<sup>7</sup> to 2<sup>6</sup>.</li> <li>– updated tablenote 7.</li> </ul> <p>In <i>Table 14: Recommended operating conditions (5.0 V)</i>, updated tablenote 5 to: “1 μF (electrolytic/tantalum) + 47 nF (ceramic) capacitance needs to be provided between V<sub>DD_ADC</sub>/V<sub>SS_ADC</sub> pair. Another ceramic cap of 10nF with low inductance package can be added”.</p> <p>In <i>Section 3.17.2: Low voltage detector electrical characteristics</i>, added a note on LVHVD5 detector.</p> <p>In <i>Section 5: Ordering information</i>, added a note: “Not all options are available on all devices”.</p>   |

**IMPORTANT NOTICE – PLEASE READ CAREFULLY**

STMicroelectronics NV and its subsidiaries ("ST") reserve the right to make changes, corrections, enhancements, modifications, and improvements to ST products and/or to this document at any time without notice. Purchasers should obtain the latest relevant information on ST products before placing orders. ST products are sold pursuant to ST's terms and conditions of sale in place at the time of order acknowledgement.

Purchasers are solely responsible for the choice, selection, and use of ST products and ST assumes no liability for application assistance or the design of Purchasers' products.

No license, express or implied, to any intellectual property right is granted by ST herein.

Resale of ST products with provisions different from the information set forth herein shall void any warranty granted by ST for such product.

ST and the ST logo are trademarks of ST. All other product or service names are the property of their respective owners.

Information in this document supersedes and replaces information previously supplied in any prior versions of this document.

© 2015 STMicroelectronics – All rights reserved