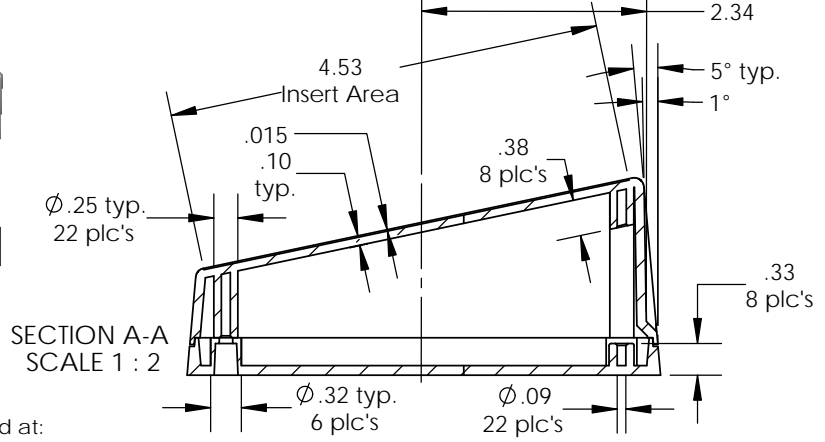
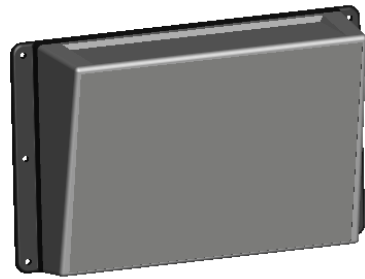
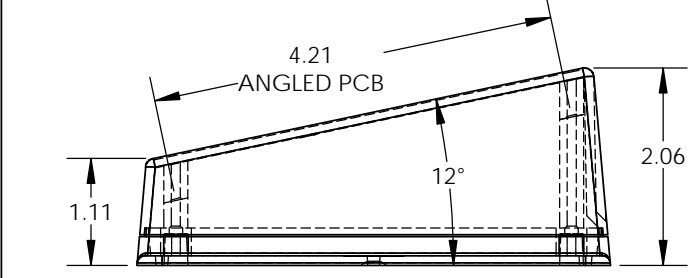
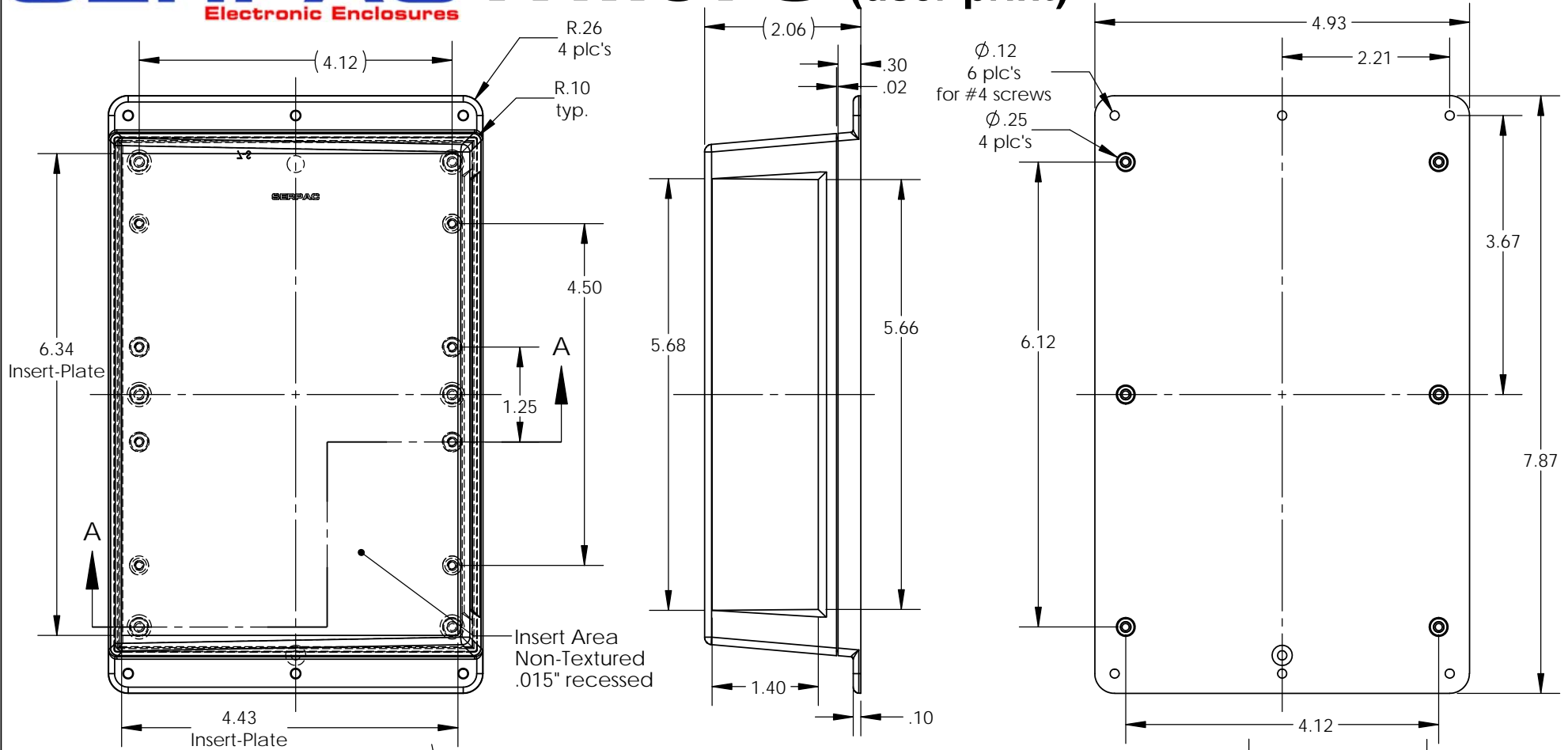


# SERPAC WM07S (user print)

Electronic Enclosures



PART NO.	DESCRIPTION (Included)	ACCESSORIES (Optional)	
7-S	TOP	PART NO.	DESCRIPTION
WM07	BOTTOM	PS-17	Perimeter Seal
6005	#4 self tapping screw (6)		

- Notes:
- 1) Enclosure meets or exceeds IP40 and NEMA 1
  - 2) When used with PS-17 the enclosure meets or exceeds IP 67 and NEMA 4X, 12 and 13 MIL-STD-810G 506.5
  - 3) Circuit Board drawings (bottom only) can be download at: <http://www.serpac.com/Accessories/CircuitBoard/drawings/370-470.pdf>
  - 4) All components are RoHS Compliant.

ALL DIMENSIONS ARE  $\pm .010"$  12/27/11  
 2009 Wright Ave. La Verne, CA 91750  
 Ph. (626) 331-0517 Fx. (626) 331-8584 www.serpac.com