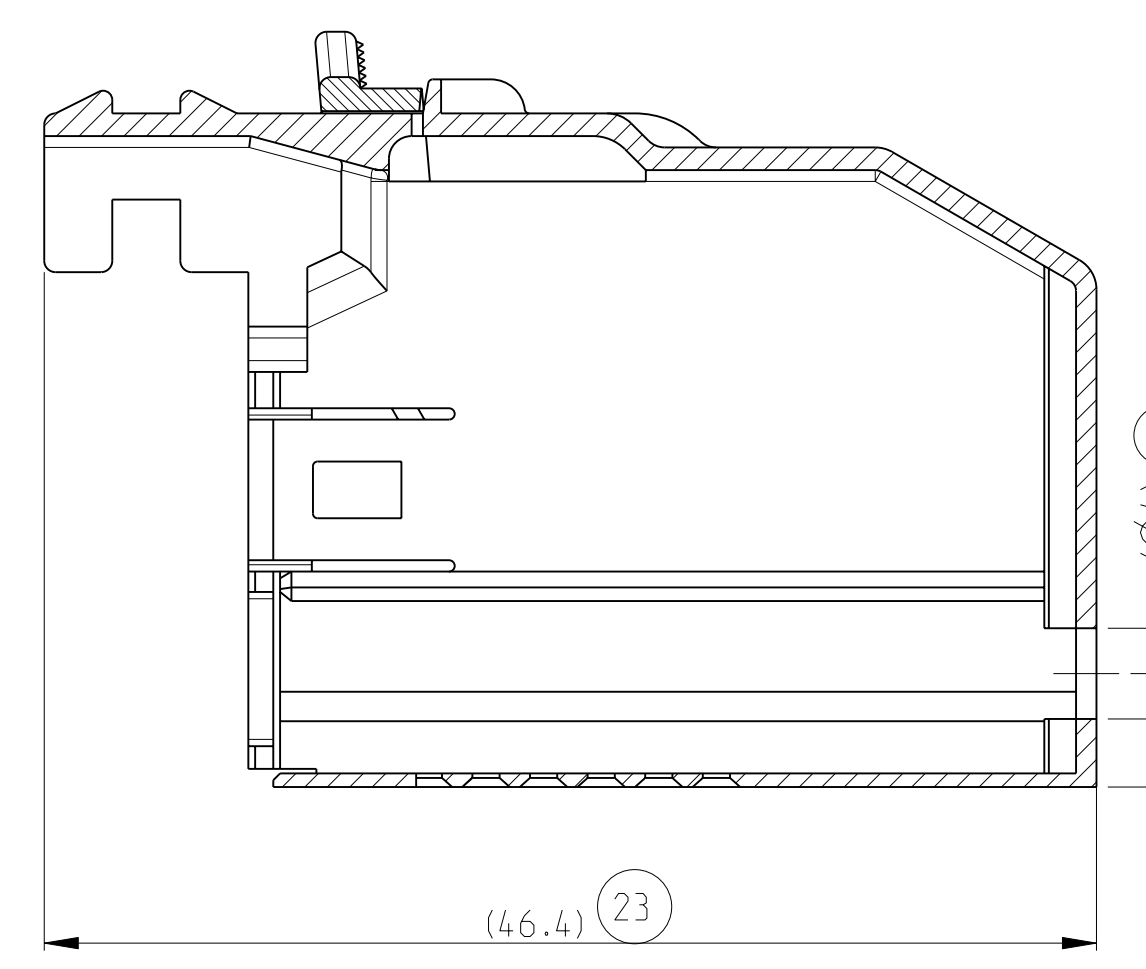
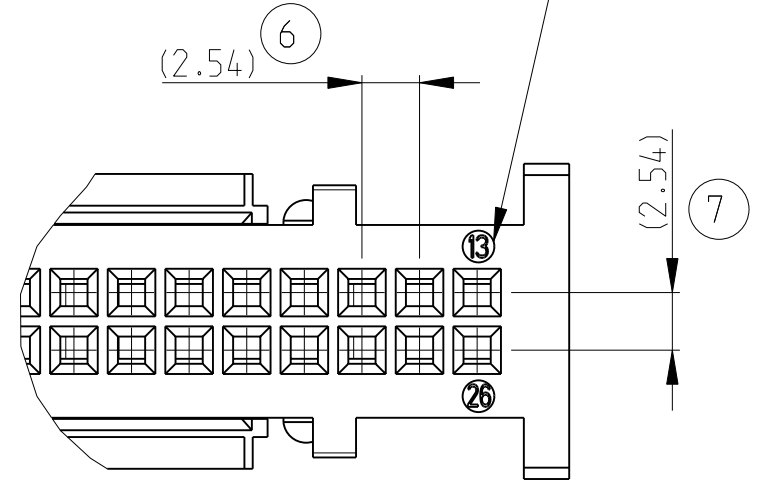


LOC	DIST	REV	DESCRIPTION	DATE	OWN	APP
F	00	B	UPDATE DOT VIEW	24DEC2008	P.B	JP.P
		C	UPDATE DRAWING	10JUL2009	NS	XR

SECTION B-B

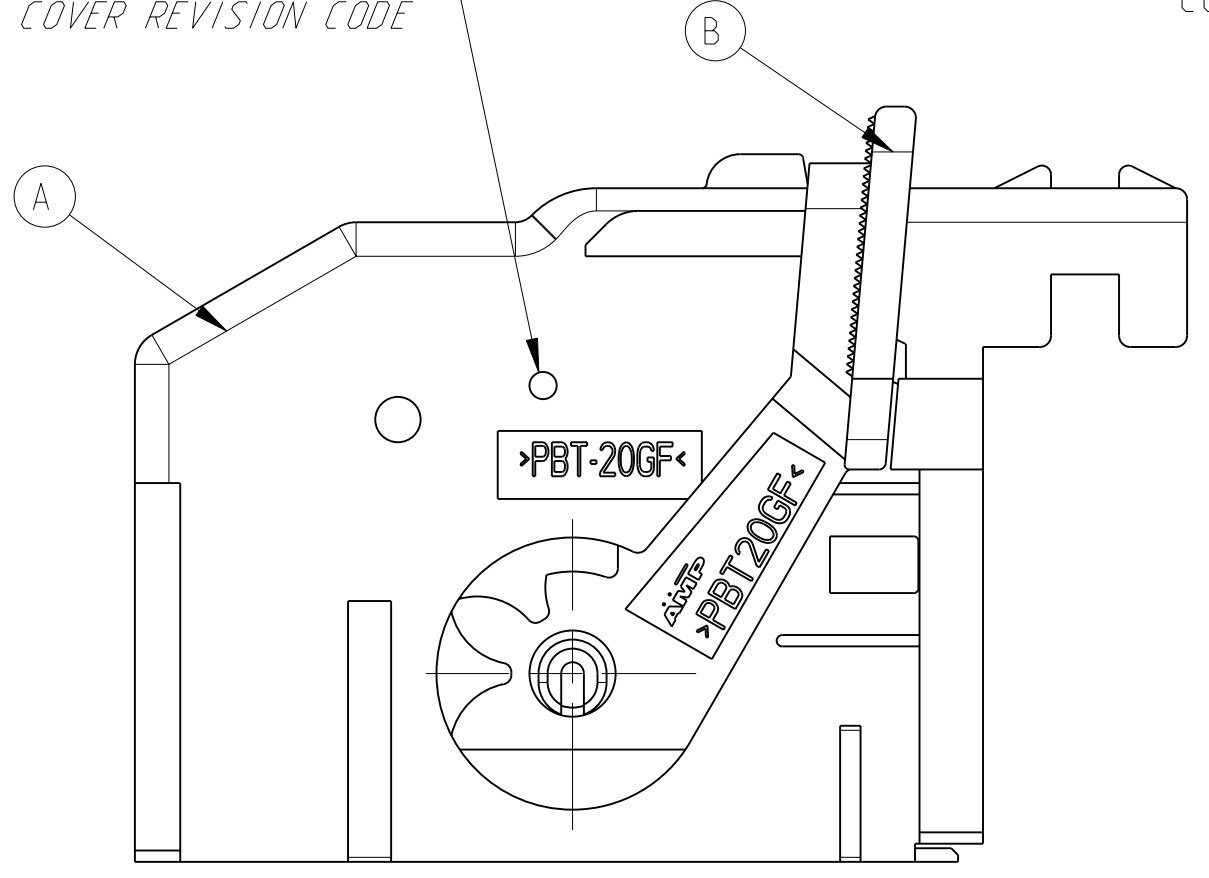


MARQUAGES DES ALVEOLES
CAVITIES NUMBER



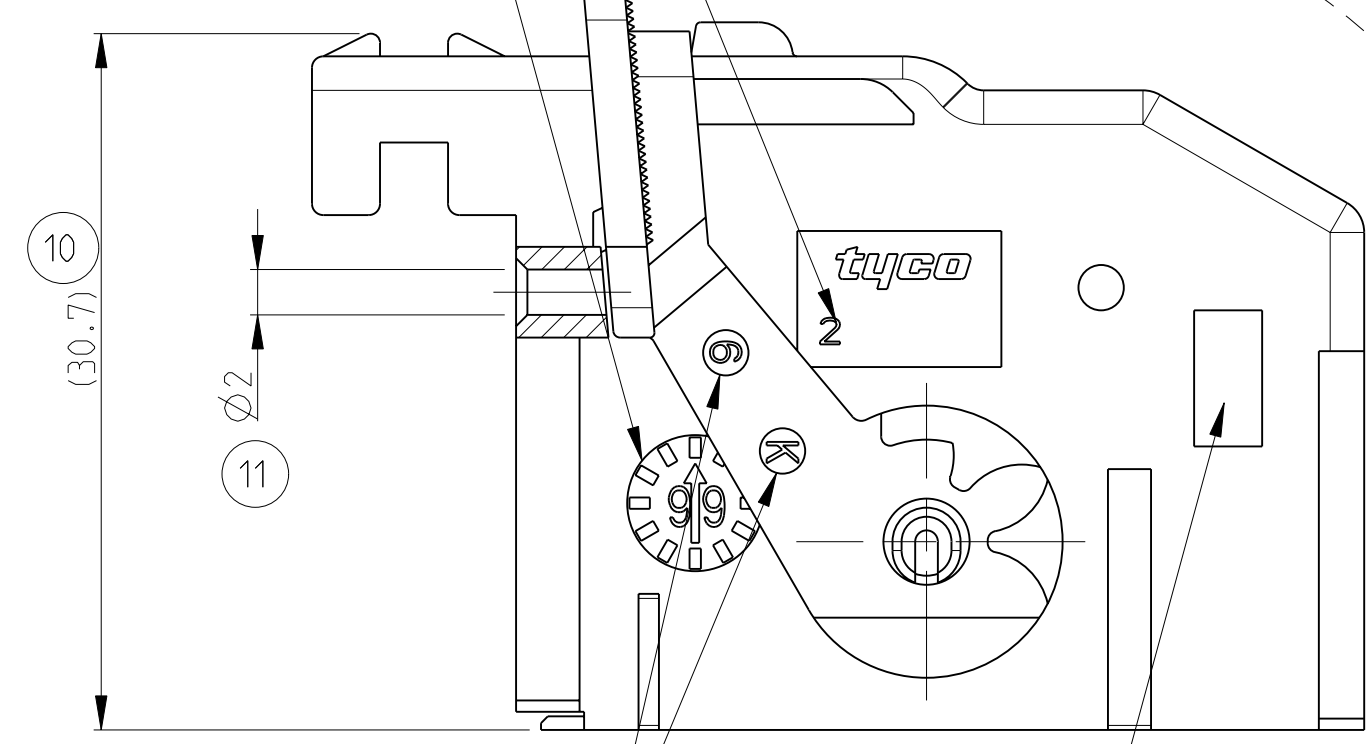
SECTION A-A

INDICE DU CAPOT
COVER REVISION CODE



N° D'EMPREINTE DU CAPOT
COVER MOLD CAVITY NUMBER

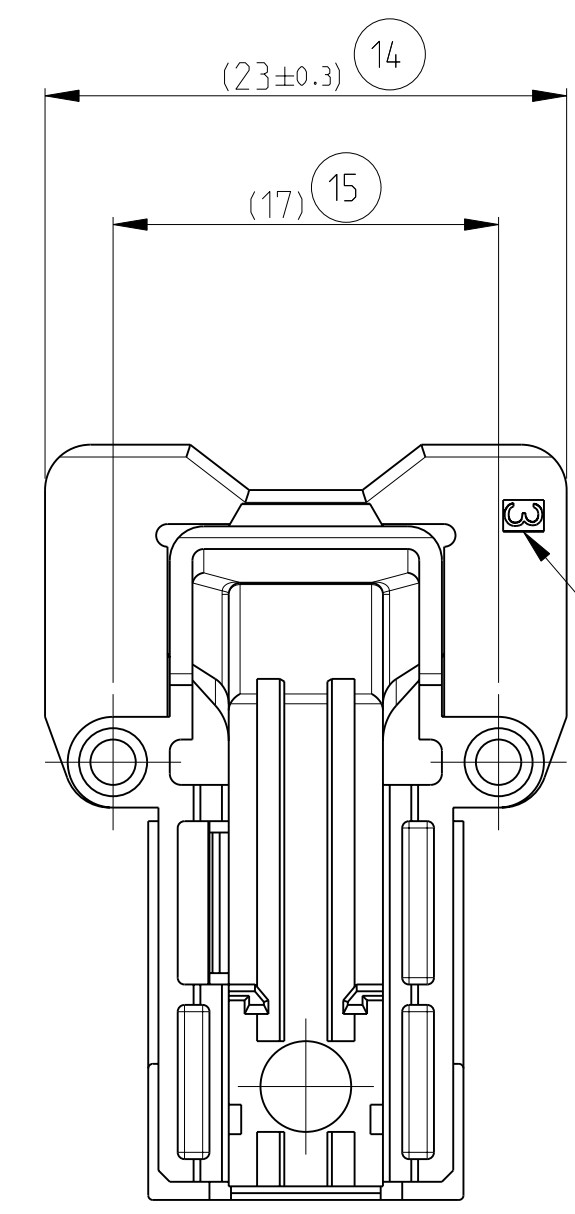
CODE DATE DE MOULAGE DU CAPOT
COVER MOLDING DATE CODE



CODE DATE DE MOULAGE DU LEVIER
LEVER MOLDING DATE CODE

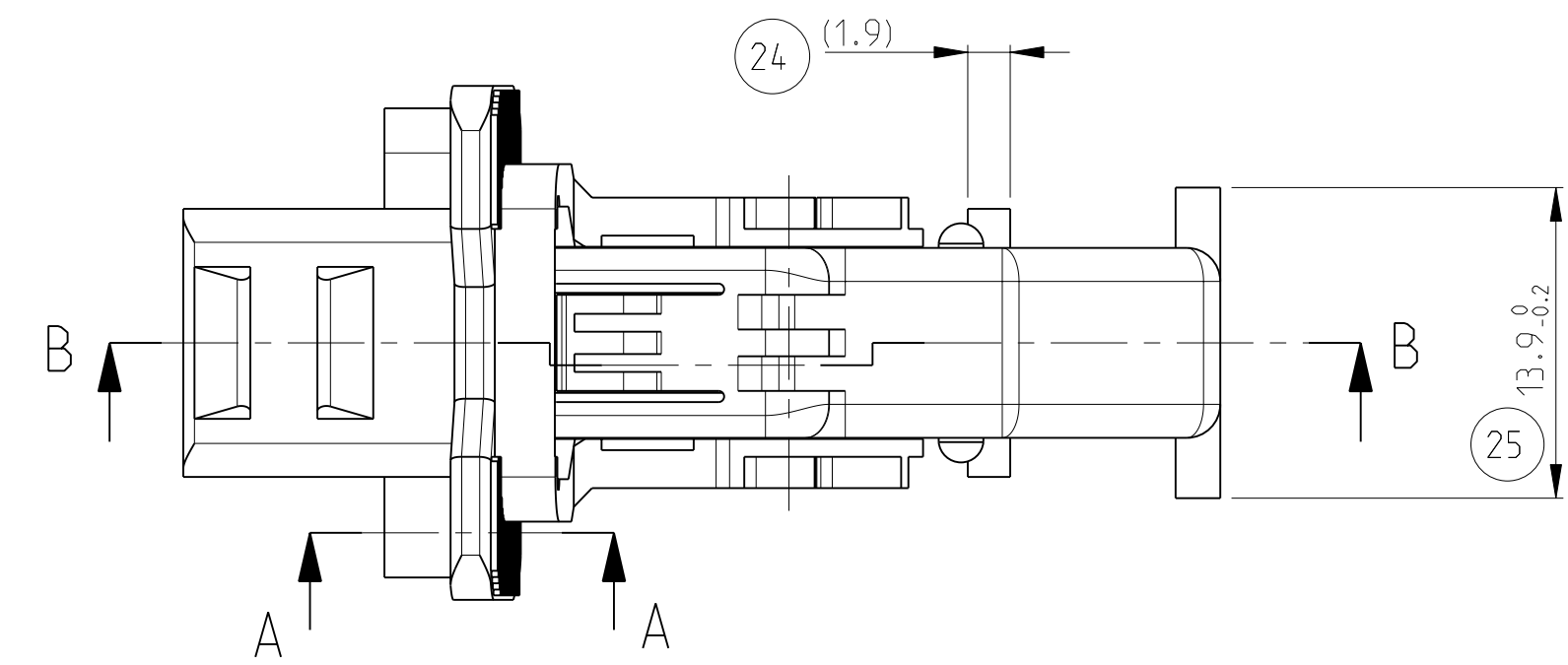
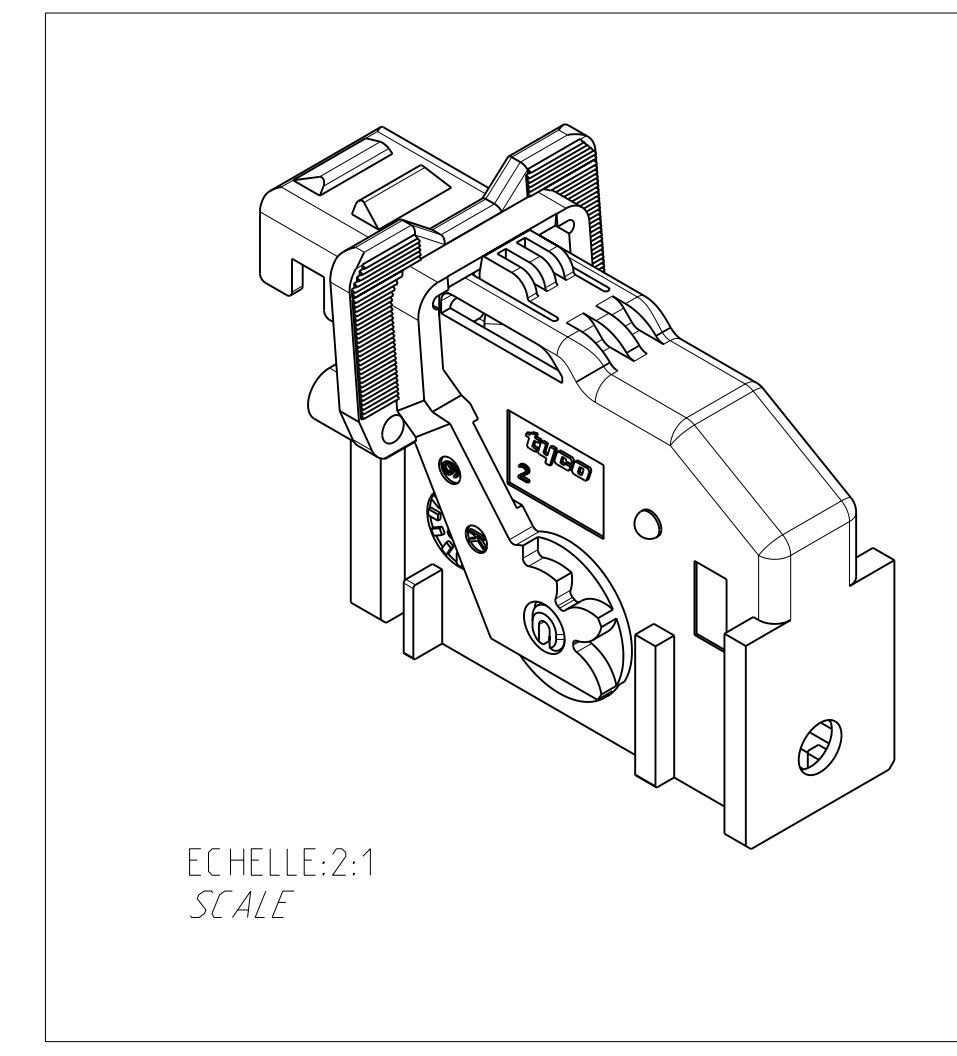
LOGO PSA OPTIONNEL
OPTIONAL PSA LOGO

R 29.8 MAX
ENCOMBREMENT DU LEVIER
LEVER OVERAL DIMENSIONS



N° D'EMPREINTE DU LEVIER
LEVER MOLD CAVITY NUMBER

DESIGNATION DESCRIPTION	REP. ITEM	QTE QTY	MATIERE MATERIAL	REFERENCE TYCO ELECTRONICS TYCO ELECTRONICS PART NUMBER	COULEUR COLOR	DETROMPAGE POLARISATION
CAPOT COVER	A	1	PBT20%FV	185879-4	VERT GREEN	(27) 13.8.1
LEVIER LEVER	B	1	PBT20%FV	185879-4	NOIR BLACK	(28) 9.9.0.1
CAPOT COVER	A	1	PBT20%FV	185879-3	ROUGE RED	(29) 9.9.0.1
LEVIER LEVER	B	1	PBT20%FV	185879-3	NOIR BLACK	(30) 13.8.1
CAPOT COVER	A	1	PBT20%FV	185879-2	BLEU BLUE	(31) 13.8.1
LEVIER LEVER	B	1	PBT20%FV	185879-2	NOIR BLACK	(31) 13.8.1
CAPOT COVER	A	1	PBT20%FV	185879-1	JAUNE YELLOW	(32) 9.9.0.1
LEVIER LEVER	B	1	PBT20%FV	185879-1	NOIR BLACK	(32) 9.9.0.1



NOTE

1 - CABLAGE MAXI : 8 FILS DE SECTION 0.6 mm²
(DIA MAXI ISOLANT DE 1.9 mm)
POUR FORCE D'INSERTION MODULE/PORTE MODULE : F<20N
ET POUR ETRE EN CONFORMITE AVEC LA SPEC. 108-15158

- MAXIMAL CABLING : 8 WIRES SECTION 0.6mm²
(DIA MAXIMAL INSULATOR 1.9mm)
FOR THE INSERTION FORCE MODULE/ASSY COVER : F<20N
AND TO BE IN ACCORDANCE WITH THE SPEC. 108-15158

COMPOSANTS ASSOCIES MATING PARTS	
REF. TE TE PART NUMBER	DESIGNATION
185875-1	PORTE CLIP 26 VOIES MQS RECEPTACLE HSG 26 W MQS

185879-1 REPRESENTEE
AS SHOWN

<p>THIS DRAWING IS UNPUBLISHED. RELEASED FOR PUBLICATION BY TIAGO A LA TIPOGRAFIA. BY TYCO ELECTRONICS CORPORATION. ALL RIGHTS RESERVED. COPYRIGHT 2010</p>		<p>OWN/DESIGNEE: 23DEC2008 Philippe BACHELOT</p>		<p>Tyco Electronics France SAS 95300 Pontoise, France</p>	
<p>DIMENSIONS: mm</p>		<p>TOLERANCES UNLESS OTHERWISE SPECIFIED: TOLERANCES NON SPECIFIEES:</p>		<p>NAME: ASSEMBLY COVER 26W MQS GENE 2 PORTE MODULE 26 VOIES MQS GENE 2</p>	
<p>MATERIAL: -</p>		<p>FINISH: -</p>		<p>SIZE: A CAGE CODE: 00779 DRAWING NO: 185879</p>	
<p>WEIGHT: -</p>		<p>FINISH: -</p>		<p>RESTRICTED TO RESERVE A</p>	
<p>CUSTOMER DRAWING</p>		<p>/PLAN CLIENT</p>		<p>SCALE: 2:1 SHEET 1 OF 1 REV C</p>	