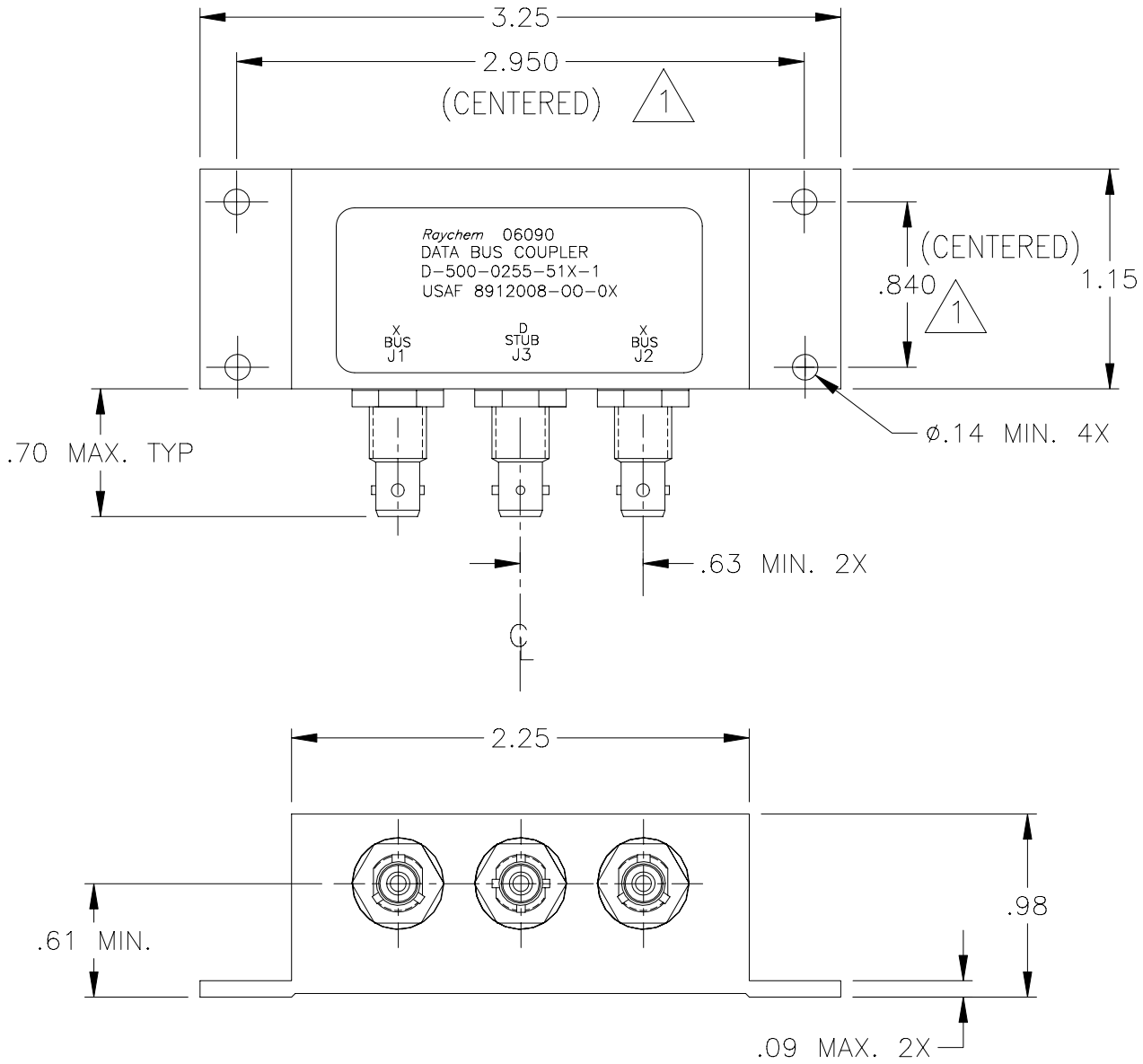


REVISIONS			
LTR	DESCRIPTION	DATE	APPROVED
E	REVISED PER ECN# T-20047	95MAY11	Z. TEMAN
F	REVISED PER ECN# T-20324		

NOTES:

1 HOLE PATTERN MACHINED SYMMETRIC TO MOUNTING FLANGE.



If this document is printed it becomes uncontrolled.
Check for the latest revision.

SPECIFICATION CONTROL DRAWING

UNLESS OTHERWISE SPECIFIED DIMENSIONS ARE IN INCHES. METRIC DIMENSIONS ARE IN BRACKETS. DECIMALS .XXX ± .010 [— mm] .XX ± .03 [— mm] ANGLES .X — ± — WEIGHT: [85g MAX]	DRAWN J.B.K. 91 JAN 21		Tyco Electronics Corporation 300 Constitution Drive Menlo Park, CA. 94025 U.S.A.		
	CHECKED				
	APPROVED		TITLE 1 STUB DATA BUS BAYONET COUPLER WITH TRIAXIAL CONNECTORS		
	APPROVED Z.TEMAN 91 JAN 22 CAD NAME 009019-1.DWG	SIZE A CODE IDENT. NO. 06090 DWG. NO. D-500-0255-51X-1 REV F			
THIRD ANGLE PROJECTION 	DO NOT SCALE THIS DRAWING				
			SHEET 1 OF 2		

1.0 INTERMATEABILITY

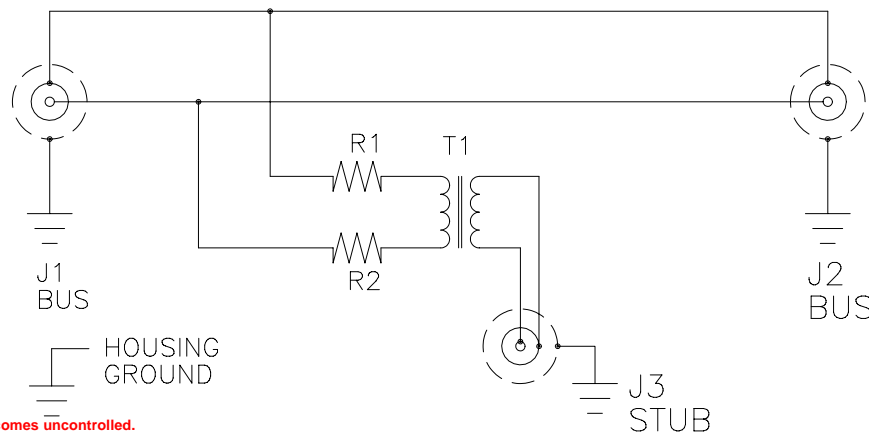
CONNECTOR BOX JACK	MATING PLUG	KEY
DK-621-0434-1S (8912004-00-05)	DK-621-0433-1P (8912003-00-01)	A
DK-621-0436-2S (8912004-00-06)	DK-621-0435-2P (8912003-00-02)	B
DK-621-0438-3S (8912004-00-07)	DK-621-0437-3P (8912003-00-03)	C
DK-621-0440-4P (8912004-00-04)	DK-621-0439-4S (8912003-00-08)	D

2.0 PERFORMANCE

- 2.1 THIS COUPLER IS DESIGNED TO MEET THE APPLICABLE FUNCTIONAL REQUIREMENT OF RAYCHEM SPECIFICATION D-6021 AND USAF 8912008.
- 2.2 THE COUPLER SHALL OPERATE UNDER ANY OF THE ENVIRONMENTAL SERVICE CONDITIONS AS SPECIFIED IN MIL-E-5400, CLASS ∇ UPGRADED TO 125°C CONTINUOUS OPERATION.
- 2.3 ALTITUDE: SEA LEVEL TO 75,000 FEET
- 3.0

D-500-0255	BUS JACKS J1 AND J2	STUB JACKS J3
-513-1 (8912008-00-01)	DK-621-0434-1S "A" (8912004-00-05)	DK-621-0440-4P "D" (8912004-00-04)
-515-1 (8912008-00-02)	DK-621-0436-2S "B" (8912004-00-06)	DK-621-0440-4P "D" (8912004-00-04)
-517-1 (8912008-00-03)	DK-621-0438-3S "C" (8912004-00-07)	DK-621-0440-4P "D" (8912004-00-04)

SCHEMATIC DIAGRAM



If this document is printed it becomes uncontrolled.
Check for the latest revision.

CAD NAME: 009019-2	DRAWN	J.B.K.	91 JAN 21	SIZE	CODE IDENT. NO.	DWG. NO.
	ISSUED			A	06090	D-500-0255-51X-1
DO NOT SCALE THIS DRAWING						SHEET 2 OF 2