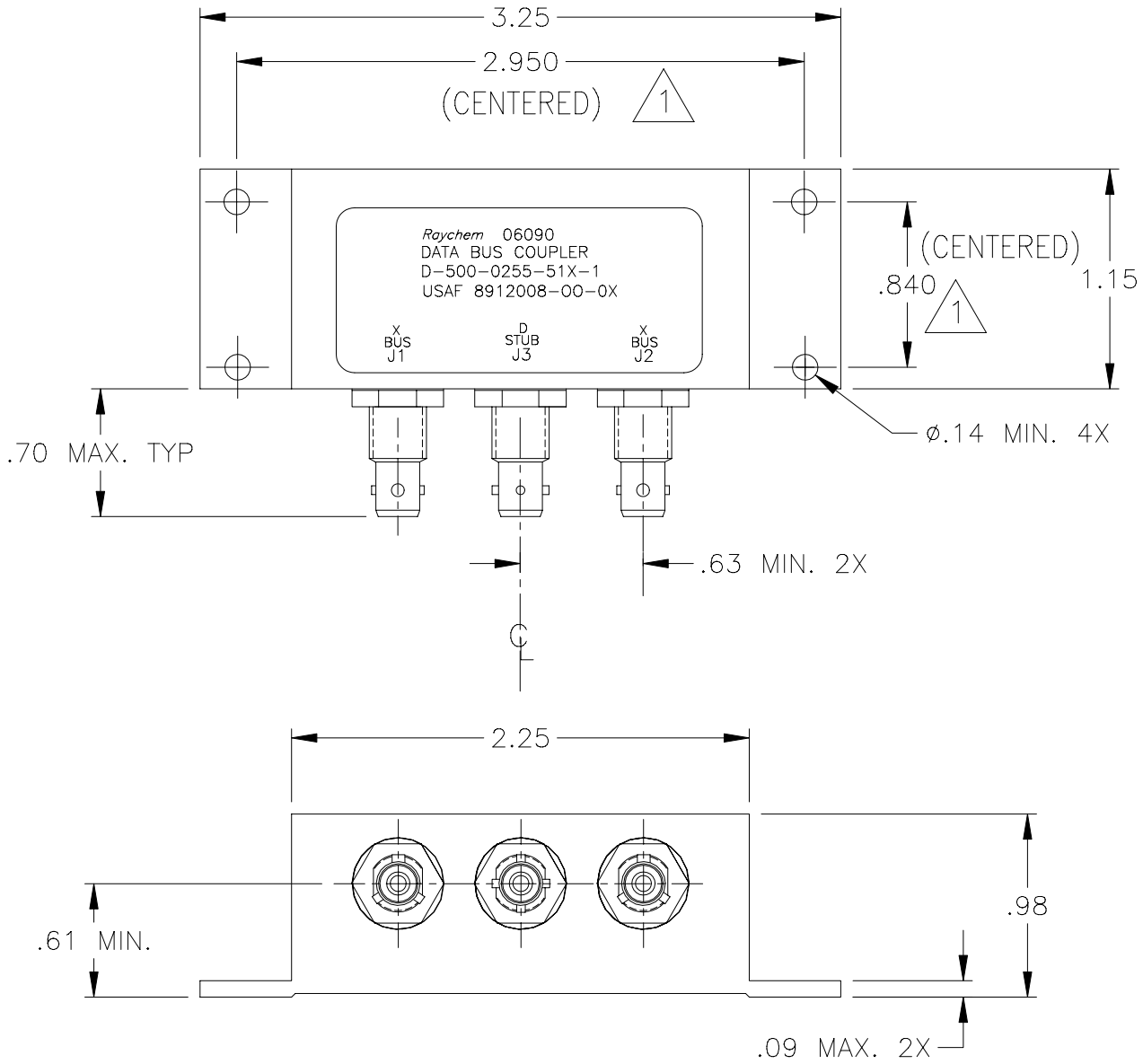


REVISIONS			
LTR	DESCRIPTION	DATE	APPROVED
E	REVISED PER ECN# T-20047	95MAY11	Z. TEMAN
F	REVISED PER ECN# T-20324		

NOTES:

1 HOLE PATTERN MACHINED SYMMETRIC TO MOUNTING FLANGE.



If this document is printed it becomes uncontrolled.  
Check for the latest revision.

## SPECIFICATION CONTROL DRAWING

UNLESS OTHERWISE SPECIFIED DIMENSIONS ARE IN INCHES. METRIC DIMENSIONS ARE IN BRACKETS.  DECIMALS .XXX ± .010 [ — mm ] .XX ± .03 [ — mm ]  ANGLES .X — ± —  WEIGHT: [85g MAX]	DRAWN J.B.K. 91 JAN 21		Tyco Electronics Corporation 300 Constitution Drive Menlo Park, CA. 94025 U.S.A.		
	CHECKED				
	APPROVED		TITLE 1 STUB DATA BUS BAYONET COUPLER WITH TRIAXIAL CONNECTORS		
	APPROVED Z.TEMAN 91 JAN 22 CAD NAME 009019-1.DWG	SIZE A CODE IDENT. NO. 06090 DWG. NO. D-500-0255-51X-1 REV F			
THIRD ANGLE PROJECTION 	DO NOT SCALE THIS DRAWING SHEET 1 OF 2				

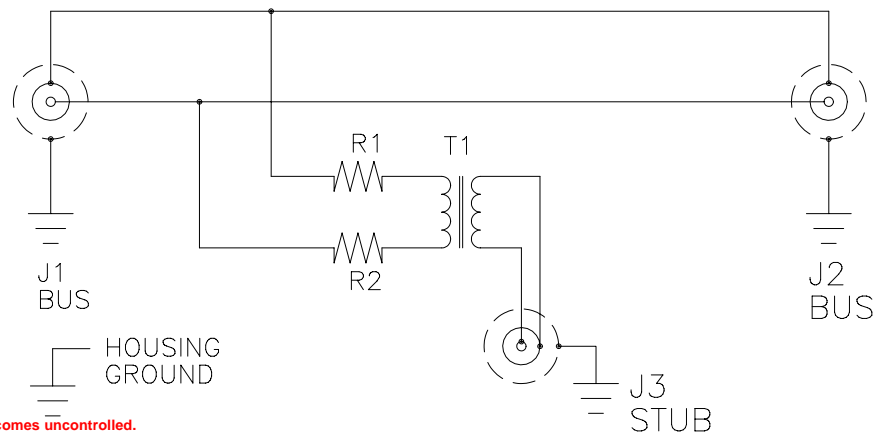
1.0 INTERMATEABILITY

CONNECTOR BOX JACK	MATING PLUG	KEY
DK-621-0434-1S (8912004-00-05)	DK-621-0433-1P (8912003-00-01)	A
DK-621-0436-2S (8912004-00-06)	DK-621-0435-2P (8912003-00-02)	B
DK-621-0438-3S (8912004-00-07)	DK-621-0437-3P (8912003-00-03)	C
DK-621-0440-4P (8912004-00-04)	DK-621-0439-4S (8912003-00-08)	D

2.0 PERFORMANCE

- 2.1 THIS COUPLER IS DESIGNED TO MEET THE APPLICABLE FUNCTIONAL REQUIREMENT OF RAYCHEM SPECIFICATION D-6021 AND USAF 8912008.
- 2.2 THE COUPLER SHALL OPERATE UNDER ANY OF THE ENVIRONMENTAL SERVICE CONDITIONS AS SPECIFIED IN MIL-E-5400, CLASS  $\nabla$  UPGRADED TO 125°C CONTINUOUS OPERATION.
- 2.3 ALTITUDE: SEA LEVEL TO 75,000 FEET
- 3.0

D-500-0255	BUS JACKS J1 AND J2	STUB JACKS J3
-513-1 (8912008-00-01)	DK-621-0434-1S "A" (8912004-00-05)	DK-621-0440-4P "D" (8912004-00-04)
-515-1 (8912008-00-02)	DK-621-0436-2S "B" (8912004-00-06)	DK-621-0440-4P "D" (8912004-00-04)
-517-1 (8912008-00-03)	DK-621-0438-3S "C" (8912004-00-07)	DK-621-0440-4P "D" (8912004-00-04)

SCHEMATIC DIAGRAM

If this document is printed it becomes uncontrolled.  
Check for the latest revision.

CAD NAME: 009019-2	DRAWN	J.B.K.	91 JAN 21	SIZE	CODE IDENT. NO.	DWG. NO.
	ISSUED			A	06090	D-500-0255-51X-1
DO NOT SCALE THIS DRAWING						SHEET 2 OF 2