

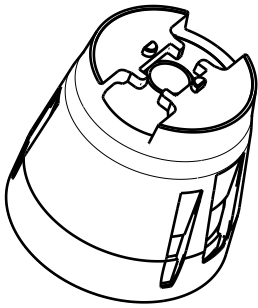
D

C

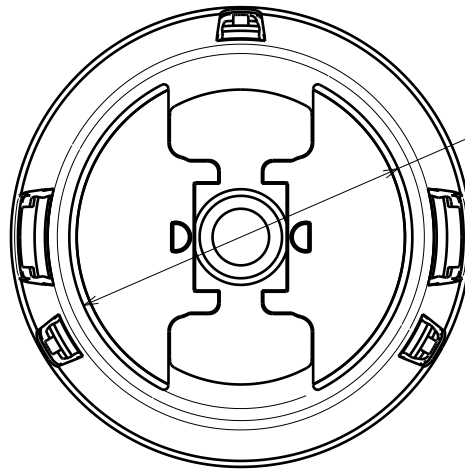
B

A

4



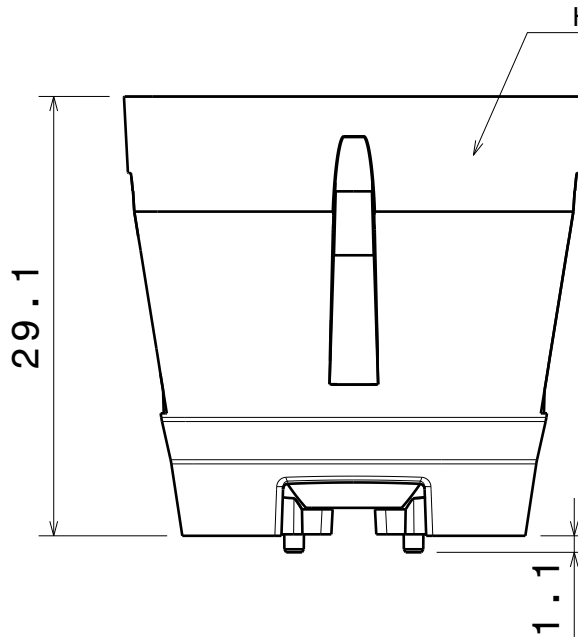
Isometric view



Bottom view

$\phi 22.7$

3



Front view

Holder

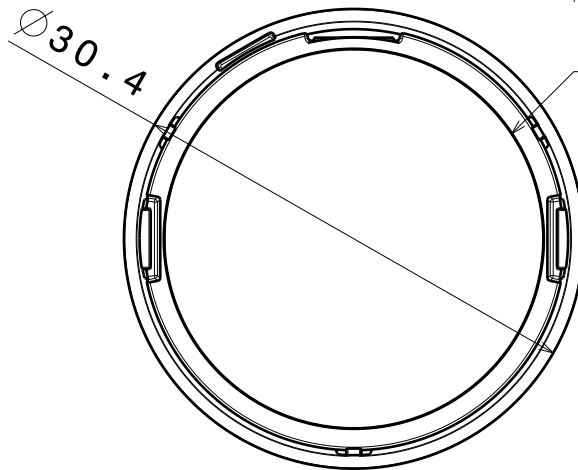
29.1

1.1

2

Part no.s:
 CA11337_Eya-0
 CA11956_Eya-S

Materials:
 Lens PMMA
 Holder PC, Black



Top view

$\phi 30.4$

Lens

This drawing is our property.
 It can't be reproduced
 or communicated without
 our written agreement.



L
T
F
F

e
e
i
i
N
n

d
h

DRAWING TITLE

Datasheet Eya series assy

1

DRAWN BY p v	DATE 29.03.2011
CHECKED BY p	DATE 29.03.2011
DESIGNED BY pv	DATE 17.02.2011

SIZE A4	DRAWING NUMBER -	REV 1.0
SCALE 2:1	WEIGHT (g)	SHEET 1/1

1

D

A