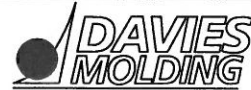


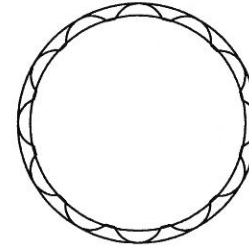
PART NAME: KNOB SCALE: 1:1 DATE: 11/1/16 DR. BY JAM

THIS DRAWING IS THE PROPERTY OF DAVIES MOLDING COMPANY, IS SUBMITTED SOLELY AS A DESIGN OR ENGINEERING PROJECT. WE ACCEPT NO RESPONSIBILITY WHATSOEVER FOR THE PRACTICAL APPLICATION OF THE PIECES MADE TO THIS DESIGN.

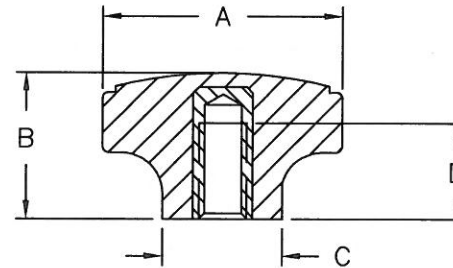


DESIGNERS & MANUFACTURERS OF KNOBS, HANDLES, CASES & CUSTOM PLASTIC COMPONENTS

P/N 3008KM-KS

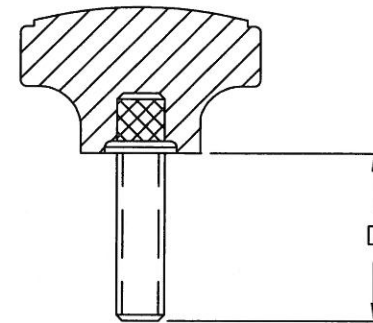


|        | THREAD    | A  | B  | C  | D  |
|--------|-----------|----|----|----|----|
| 3008KM | M6 X 1    | 32 | 19 | 16 | 12 |
| 3008KN | M8 X 1.25 | 32 | 19 | 16 | 12 |



THREADED INTERNAL INSERT

|        | THREAD    | A  | B  | C  | D  |
|--------|-----------|----|----|----|----|
| 3008KP | M6 X 1    | 32 | 19 | 16 | 20 |
| 3008KQ | M6 X 1    | 32 | 19 | 16 | 30 |
| 3008KR | M8 X 1.25 | 32 | 19 | 16 | 20 |
| 3008KS | M8 X 1.25 | 32 | 19 | 16 | 30 |



THREADED STUD

KNOB MATERIAL: PHENOLIC  
COLOR: BLACK

INSERT MATERIAL: INTERNAL INSERTS ARE BRASS,  
PROJECTING STUDS ARE ZINC PLATED STEEL

| TOLERANCES:<br>UNLESS OTHERWISE SPECIFIED | DO NOT SCALE<br>DRAWING          |         |  |  |
|---|----------------------------------|---------|--|--|
|   | MM: X.XX ± 0.15MM<br>X.X ± 0.4MM |         |  |  |
|   | ANG. ± 1°                        | CHANGES |  |  |