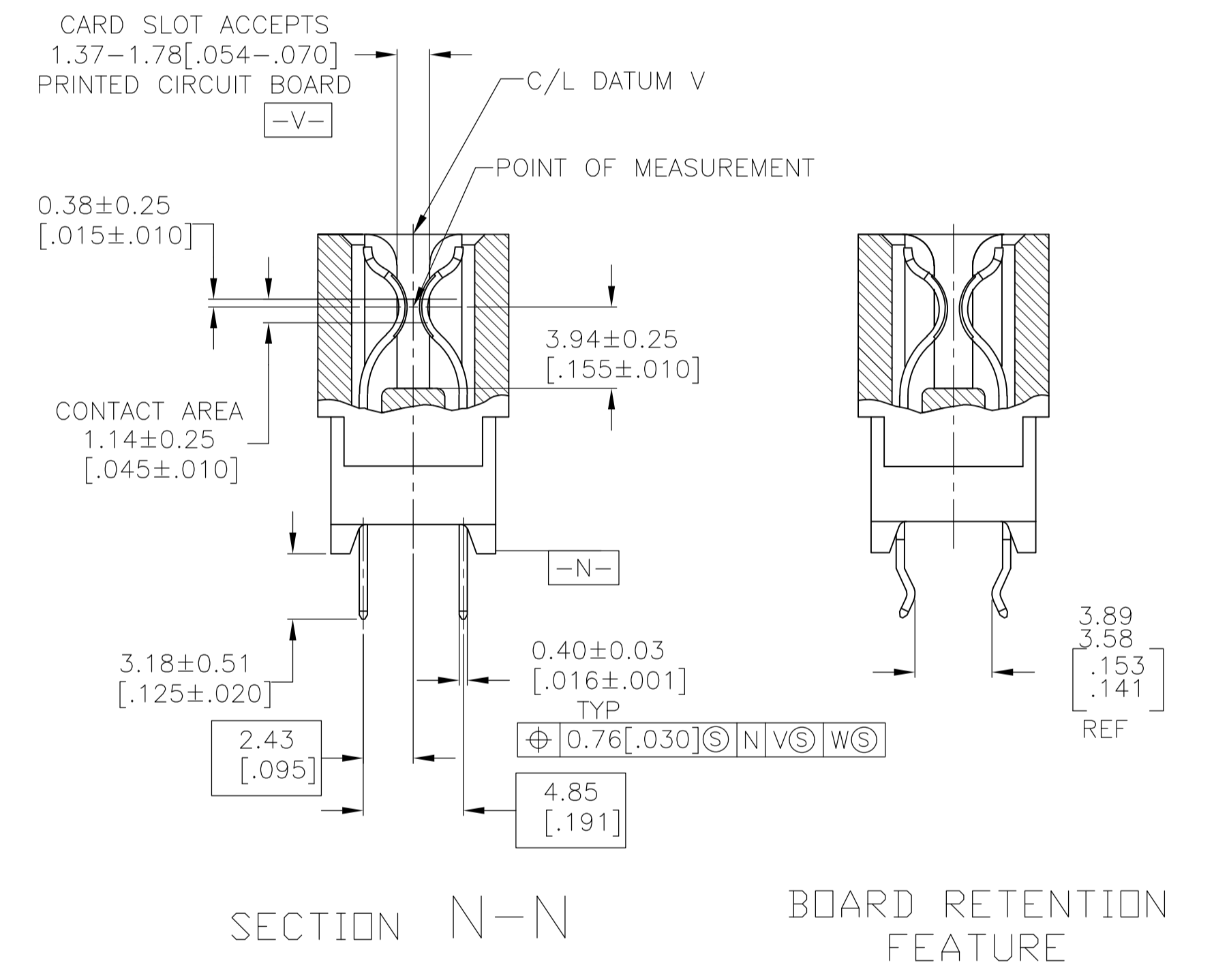
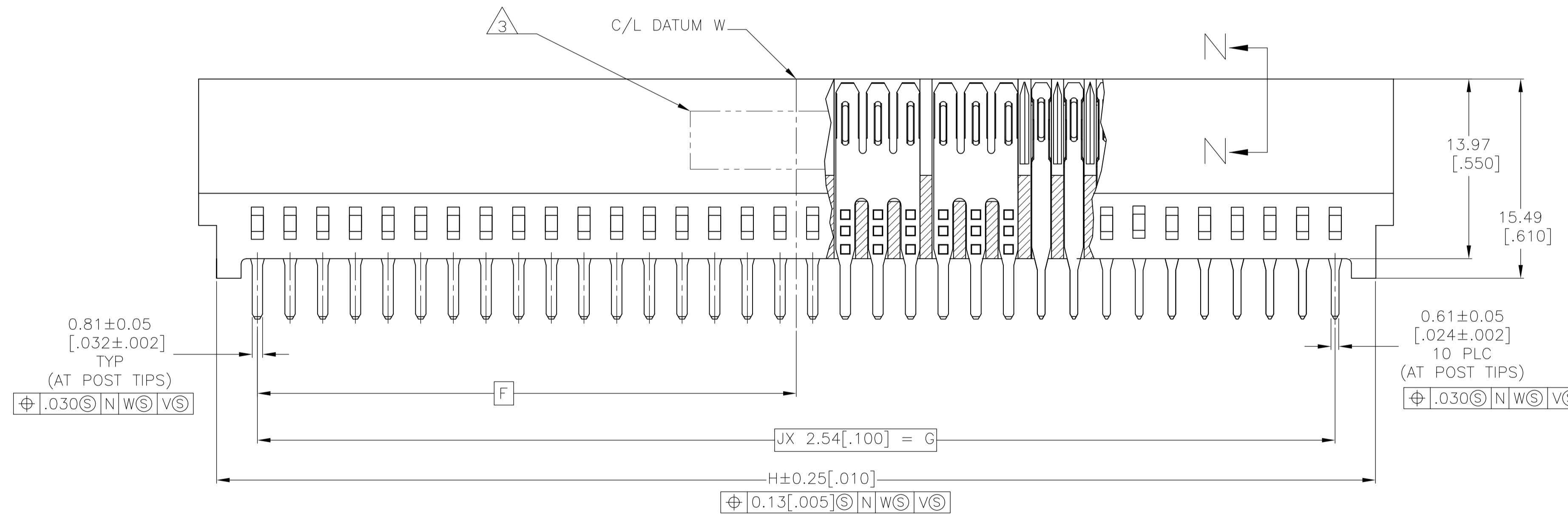
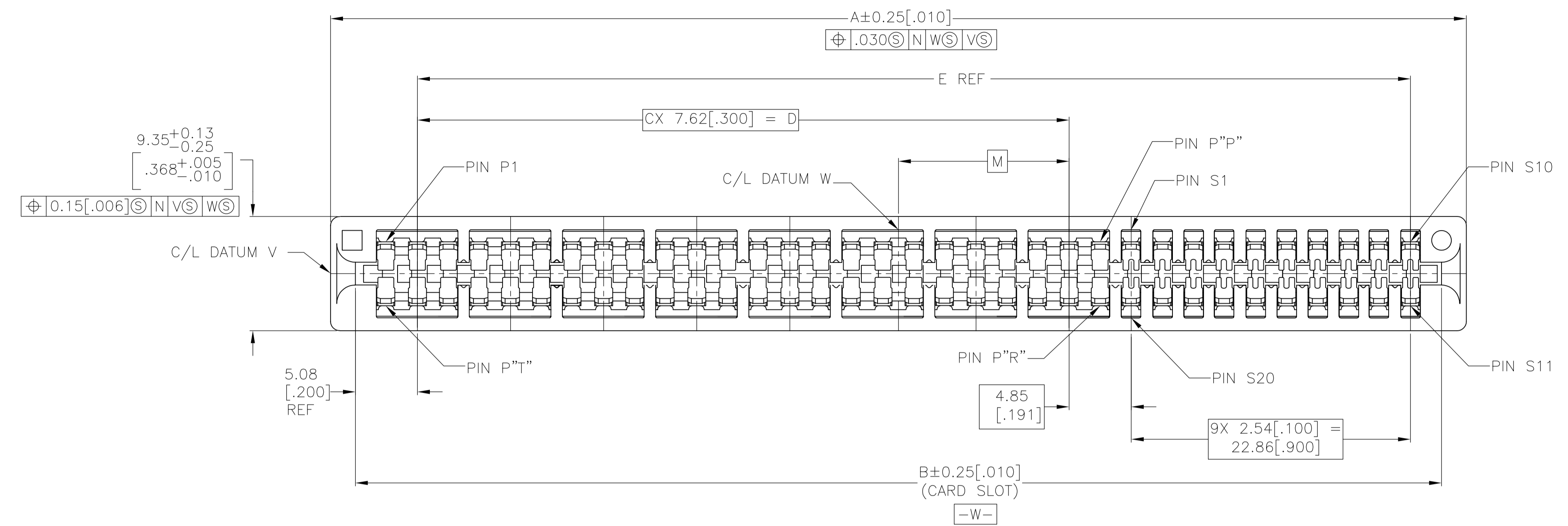


- HOUSING: GLASS FILLED POLYESTER, BLACK, IR REFLOW COMPATIBLE
- CONTACT: HIGH CONDUCTIVITY COPPER ALLOY.  
 NICKEL PLATE .00127 [.000050] MIN - ALL OVER.  
 TIN PLATE .00254 [.000100] MIN - SOLDER POSTS.  
 GOLD PLATE .00038 [.000015] MIN - IN MATING AREA.
- AMP PART NUMBER, DATE CODE AND CSA LOGO MARKED IN APPROXIMATE AREA SHOWN, EITHER SIDE.
- DATUMS X, Y & BASIC DIMENSIONS ARE TO BE ESTABLISHED BY THE CUSTOMER
- NO BURRS AND/OR SHARP EDGES ARE PERMISSIBLE
- QUALIFICATION TESTING HAS NOT BEEN COMPLETED.



P2, P3, S8, S9, S12, S13, P16, P17	P18	P10	P9	-5.08 [-2.00]	50.42 [1.985]	45.72 [1.800]	18	52.07 [2.050]	20.32 [.800]	22.86 [1.900]	43.18 [1.700]	15.24 [.600]	2	50.80 [2.000]	54.86 [2.160]	NONE	NONE	10	3	1761426-3
P2, P3, S8, S9, S12, S13, P28, P29	P30	P16	P15	2.54 [.100]	65.66 [2.585]	60.96 [2.400]	24	67.31 [2.650]	35.56 [1.400]	30.48 [1.200]	58.42 [2.300]	30.48 [1.200]	4	66.04 [2.600]	70.10 [2.760]	NONE	NONE	10	5	1761426-2
P2, P3, S8, S9, S12, S13, P46, P47	P48	P25	P24	13.97 [.550]	88.52 [3.485]	83.82 [3.300]	33	90.17 [3.550]	58.42 [2.300]	41.91 [1.650]	81.28 [3.200]	53.34 [2.100]	7	88.90 [3.500]	92.96 [3.660]	NONE	NONE	10	8	1761426-1 (SHOWN)
BOARD RETENTION FEATURE LOCATION	T	R	P	M	L	K	J	H	G	F	E	D	C	B	A	MOLDED KEY LOCATION	OMITTED PIN	NO OF SINGLE POSITIONS	NO OF MULTIPLE POSITIONS	PART NUMBER

THIS DRAWING IS A CONTROLLED DOCUMENT.

DIMENSIONS:	TOLERANCES UNLESS OTHERWISE SPECIFIED:	0 PLC ± -	1 PLC ± -	2 PLC ± -	3 PLC ± 0.13 [.005]	4 PLC ± -	ANGLES ± °
-------------	--	-----------	-----------	-----------	---------------------	-----------	------------

MATERIAL: SEE NOTE 1 & 2  
 FINISH: SEE NOTE 2

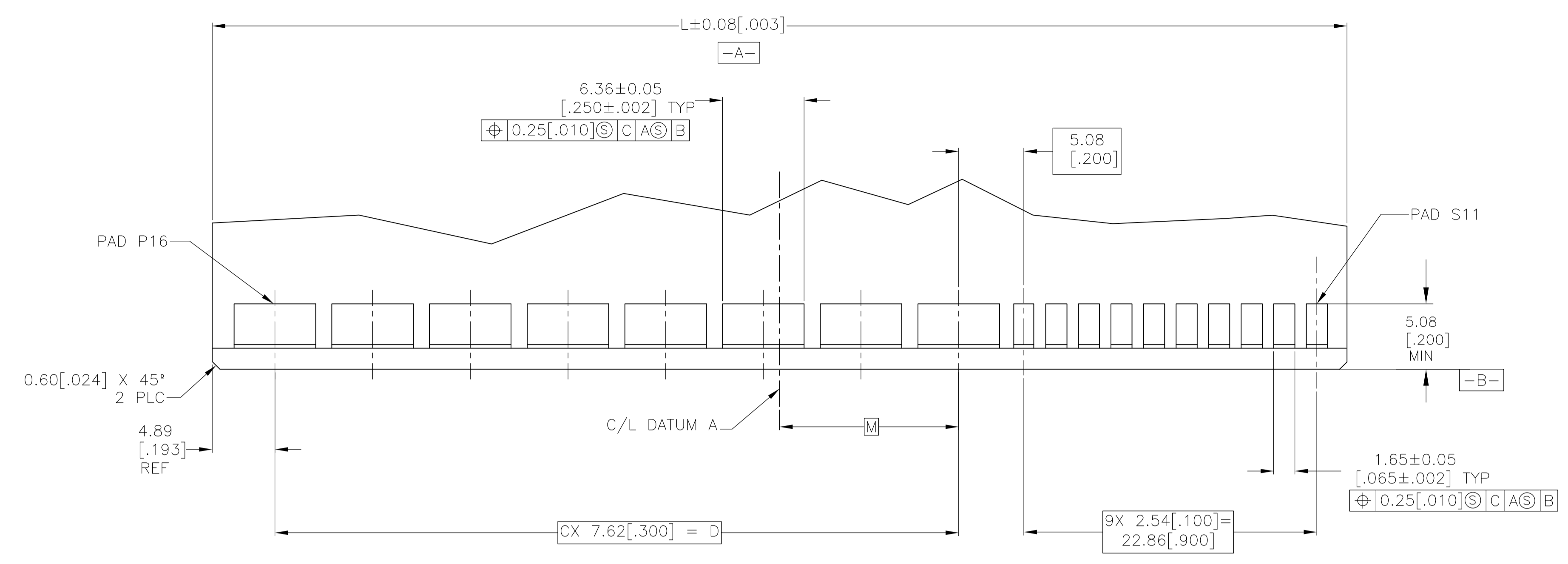
APPROVED: AL FRANTUM  
 DATE: 09 JUL 04  
 DRAWING NO: 29JUNE2006  
 NAME: S. FLICKINGER

Tyco Electronics Corporation  
 Middletown, PA 17057

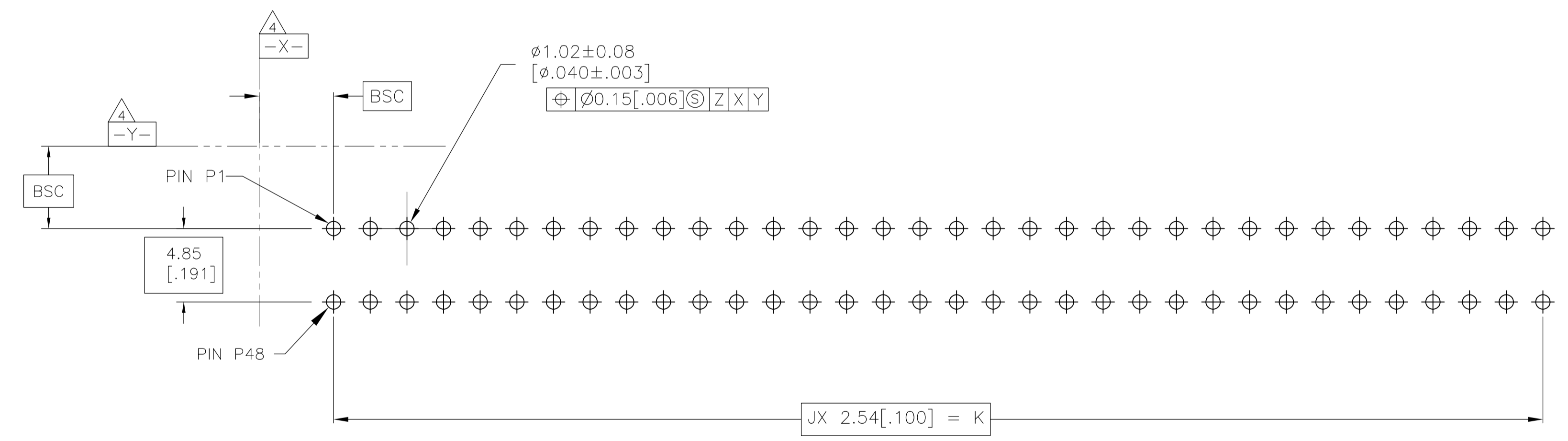
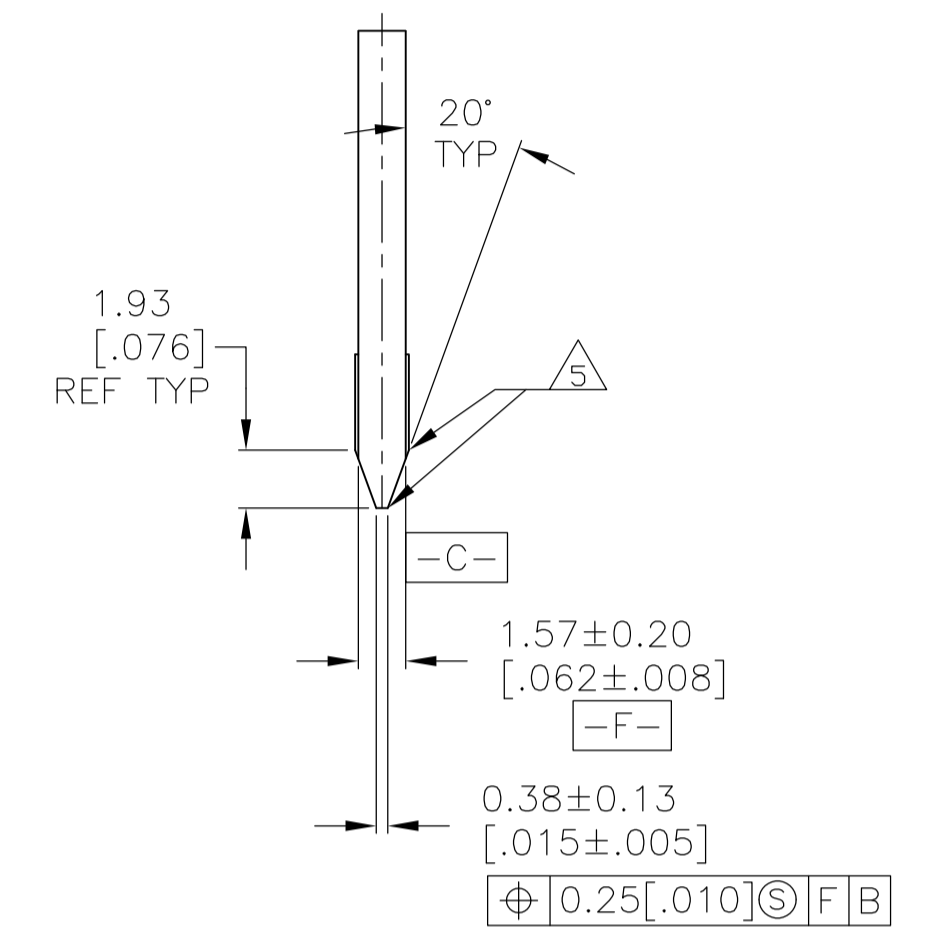
CONNECTOR ASSEMBLY,  
 SEC II POWER, DUAL POSITION,  
 2.54 [.100] CENTERLINE, CARD EDGE

SIZE: A1  
 SCALE: 4:1  
 SHEET: 1 OF 2  
 REV: B

LOC		DIST		REVISIONS				
P	LTR	DESCRIPTION	DATE	DN	APVD			
AA	00	SEE SHEET 1						



RECOMMENDED MATING BOARD EDGE CONFIGURATION  
 -1 CONFIGURATION SHOWN  
 TYP BOTH SIDES



RECOMMENDED PC BOARD HOLE LAYOUT  
 -1 CONFIGURATION SHOWN

THIS DRAWING IS A CONTROLLED DOCUMENT.		DIN AL FRANTUM 09 JUL 04		Tyco Electronics Corporation	
DIMENSIONS: mm (INCHES)		CIR AL FRANTUM 09 JUL 04		Middletown, PA 17057	
TOLERANCES UNLESS OTHERWISE SPECIFIED:		APVD S FLICKINGER 29JUNE2006		NAME	
0 PLC ± -		PRODUCT SPEC		CONNECTOR ASSEMBLY,	
1 PLC ± -		APPLICATION SPEC		SEC II POWER, DUAL POSITION,	
2 PLC ± -		WEIGHT		2.54 [.100] CENTERLINE, CARD EDGE	
3 PLC ± 0.13 [.005]		SCALE 5:1		SHEET 2 OF 2	
4 PLC ± -		REV B			
ANGLES ± -		CUSTOMER DRAWING			
MATERIAL SEE PAGE 1		FINISH SEE PAGE 1		DRAWING NO. A1 00779 C=1761426	