

EmETXe-i9455

Intel® Core™ 2 Duo COM Express Basic Type 2 CPU Module



Features

- Support Intel® Socket M Mobile Processors
- Integrated Gigabit Ethernet
- Dual Channels 24-bit LVDS, and Analog RGB
- **Extended Operating Temp.: -20 ~ 70°C**

System

CPU	Intel® Core™ 2 Duo/Core™ Duo/Celeron® M processor, supporting FSB up to 667MHz
Memory	1 x 200-pin DDR2 SO-DIMM socket, supporting 400/533/667MHz SDRAM up to 2GB
Chipset	Intel® 945GME + ICH7M
BIOS	Phoenix-Award PnP Flash BIOS

I/O

USB Port	8 x USB 2.0 ports
Digital I/O	8-bit programmable Digital Input/Output
Expansion Bus	3 x PCIe x1 lanes
	1 x PCIe x16 lanes
	4 x PCI masters
	LPC (Low Pin Count) interface

Storage	1 x Ultra ATA, supporting 2 IDE devices
	2 x Serial ATA ports with 150MB/s HDD transfer rate
Ethernet Chipset	1 x Realtek RTL8111 PCIe GbE controller
Audio	HD Audio Link

Display

Graphics Chipset	Integrated Intel® Graphics Media Accelerator 950
Graphics Interface	Analog RGB supports resolution up to 2048 x 1536 @60Hz LCD: Dual Channels 24-bit LVDS

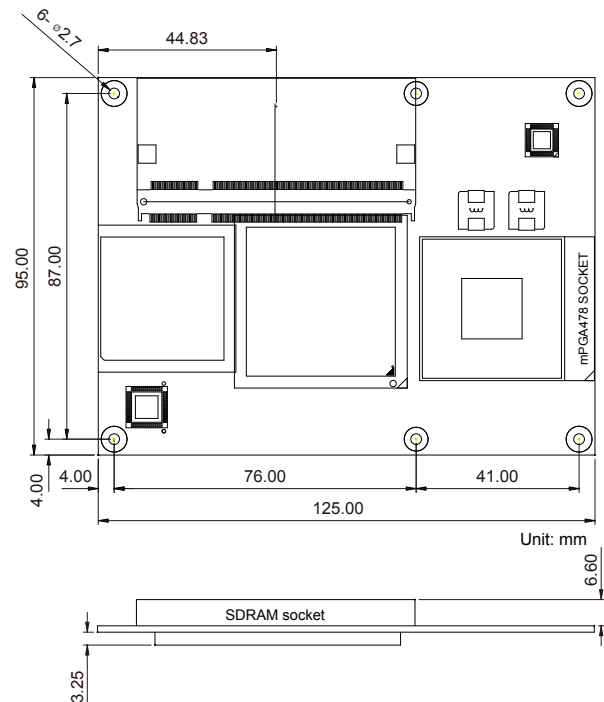
Mechanical & Environmental

Power Requirement	+12V, 5VSB
Power Consumption	2.66A@+12V with Intel® Core™ Duo T2400 1.83GHz (Typical)
Operating Temp.	-20 ~ 70°C (-4 ~ 158°F)
Operating Humidity	10 ~ 95% @ 70°C (non-condensing)
Dimension(L x W)	125 x 95 mm (4.9" x 3.7")

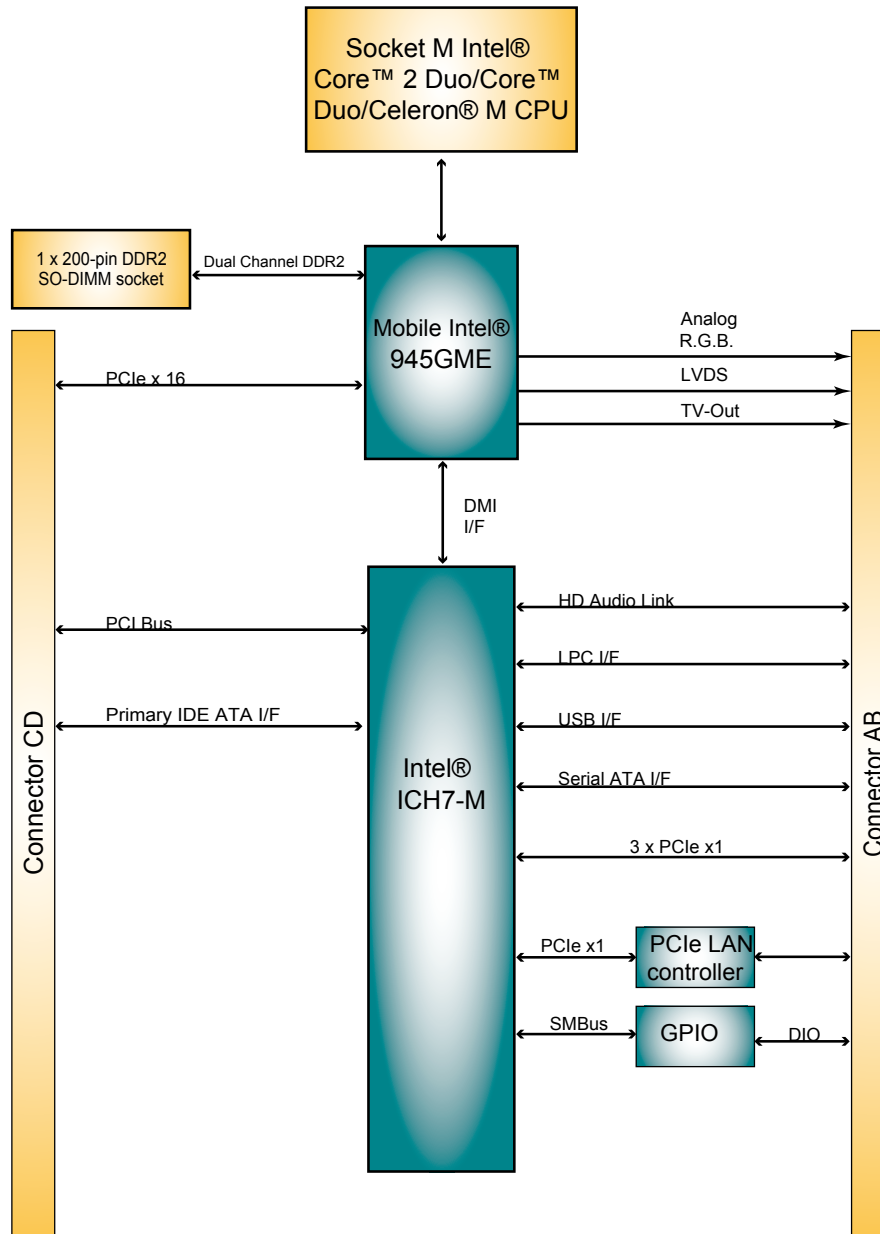
Recommended CPU List:

T7400 2.16GHz Core™ 2 Duo Processor
T2500 2.0GHz Core™ 2 Duo Processor
530 1.73GHz Celeron® Processor
440 1.86GHz Celeron® M Processor

Dimensions



Block Diagram



Ordering Information

EmETXe-i9455 Socket M Intel® Core™ 2 Duo/Core™ Duo/Celeron® M COM Express CPU module

Optional Accessories

HS-9455-C2 Heatsink w/ fan for socket type CPU module (125 x 96 x 23 mm)

HS-9455-C3 Heatsink w/ fan for socket type CPU module (125 x 96 x 39 mm)

PBE-1700-W R1.3 COM Express type 2 evaluation board in ATX form factor w/ W83627 Super IO

Page 64

CBK-04-1700-00
Cable kit

- 1 x SATA cable
- 1 x COM port cable
- 1 x FDD cable
- 1 x IDE cable