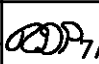
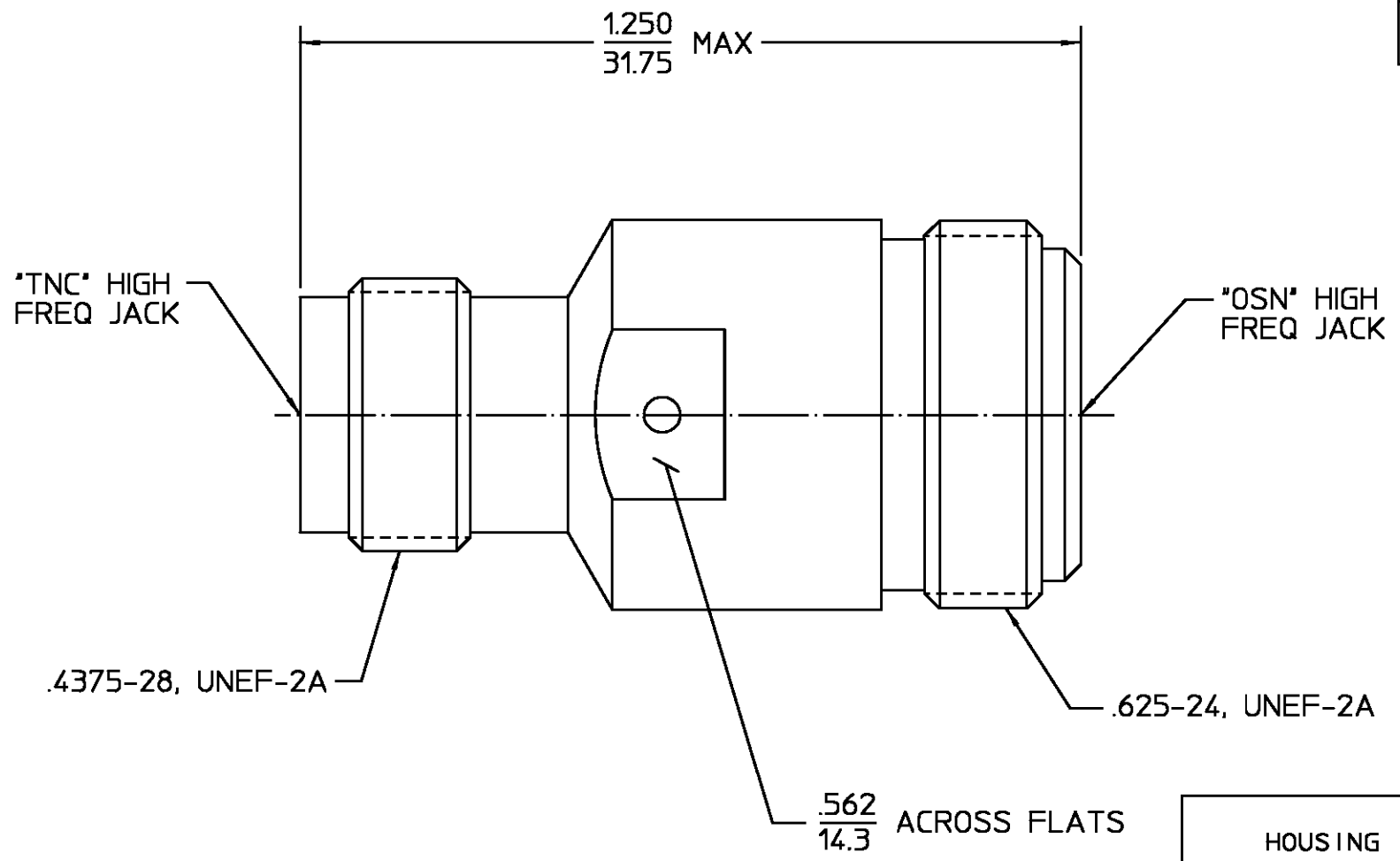



| REVISIONS       |             |                 |   |
|-----------------|-------------|-----------------|---|
| REV             | DESCRIPTION | DATE            | APPROVED  |
| 02 <sub>1</sub> | REVISED     | KYLE<br>5-22-97 |  7/14/97 |



**NOTES:**

- IMPEDANCE: 50 ohm
- FREQ. RANGE DC TO 18.0
- VSWR: 1.17:1 MAX
- INSERTION LOSS: 0.4 dB MAX
- INSULATION RESISTANCE: 5,000 MegaOhm MIN
- WORKING VOLTAGE: 500 V<sub>rm</sub> @ SEA LEVEL
- RF HIGH POTENTIAL VOLTAGE: 1,000 V<sub>rm</sub> MIN
- DWV: 1,500 V<sub>rm</sub> MIN AT SEA LEVEL
- CORONA LEVEL: 375 V MIN AT 70,000 FEET
- TEMPERATURE RANGE: -65 TO +165°C

|   |  |  |              |                      |              |                     |
|---|--|--|--------------|----------------------|--------------|---------------------|
| HOUSING   | STAINLESS STEEL PER ASTM-A484 AND ASTM-A582, TYPE 303                    | PASSIVATE PER QQ-P-35  |              |                      |              |                     |
| DIELECTRIC  | PTFE FLUOROCARBON PER ASTM-D-1457  | N/A  |              |                      |              |                     |
| CENTER CONTACT  | BERYLLIUM COPPER PER ASTM-B-196 OR ASTM-B-197, ALLOY C17300, CONDITION H | GOLD PLATE PER MIL-G-45204   |              |                      |              |                     |
| COMPONENT   | MATERIAL   | FINISH   |              |                      |              |                     |
| UNLESS OTHERWISE SPECIFIED DIMENSIONS ARE IN INCHES<br>FRAC. ± 1/64 DEC. ± .005 ANGLES ± 1°   | DRAWN BY D. CAM DATE 2-28-79   | <br>AMP Incorporated<br>140 Fourth Avenue<br>Waltham, MA 02451-7599 |              |                      |              |                     |
|   | CHECKED BY R. S 3-26-79  |  |              |                      |              |                     |
|   | APPD BY G. H 3-27-79   |  |              |                      |              |                     |
| These drawings and specifications are the property of M/A COM Interconnect Div. and shall not be reproduced or copied or used in whole or in part as the basis for the manufacture or sale of item(s) without written permission. | USE ASSY PROCEDURE   | TITLE HIGH FREQ.(18 GHz) "TNC" JACK TO "OSN" JACK ADAPTER  |              |                      |              |                     |
|   | NO. A.P. N/A   | <table border="1"> <tr> <td>SIZE B</td> <td>CODE IDENT NO. 26805</td> <td>3680-2310-02</td> <td>REV 02<sub>1</sub></td> </tr> </table>                   | SIZE B       | CODE IDENT NO. 26805 | 3680-2310-02 | REV 02 <sub>1</sub> |
|   | SIZE B   | CODE IDENT NO. 26805   | 3680-2310-02 | REV 02 <sub>1</sub>  |              |                     |
|   | SCALE 4:1  | SHEET 1 OF 1   |              |                      |              |                     |

**COPY IN PUERTO RICO**

CUSTOMER DRAWING

AMP PART # 1058656-1  
SHEET 1 OF 1 REV A