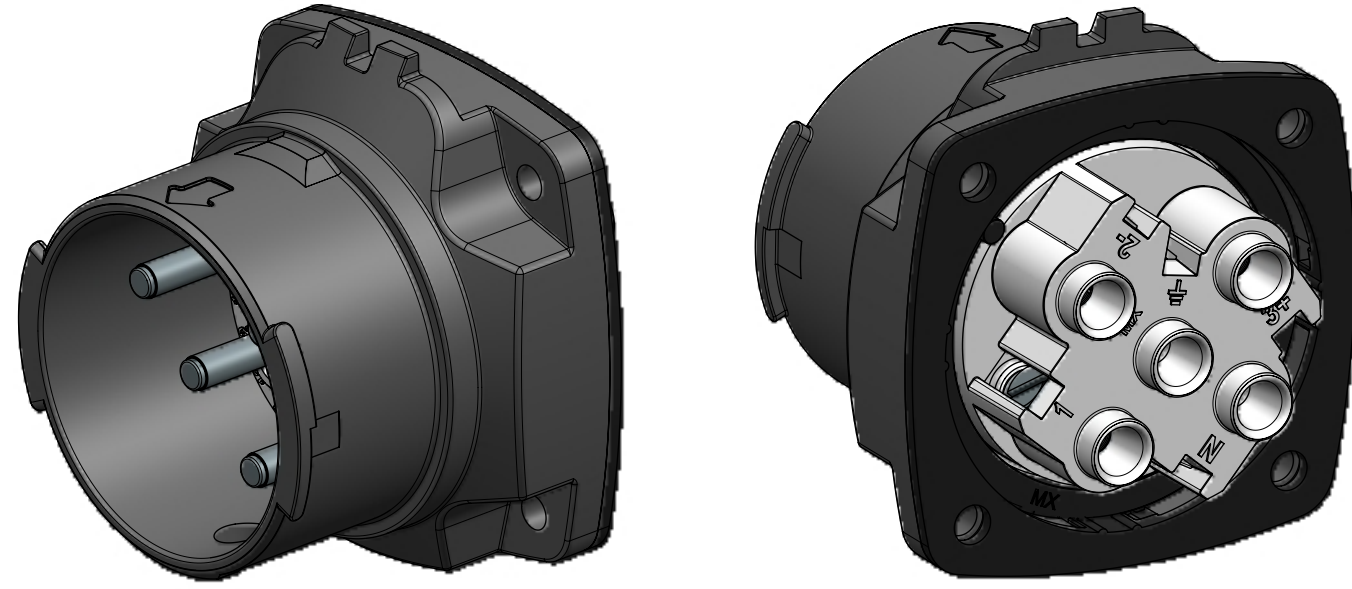
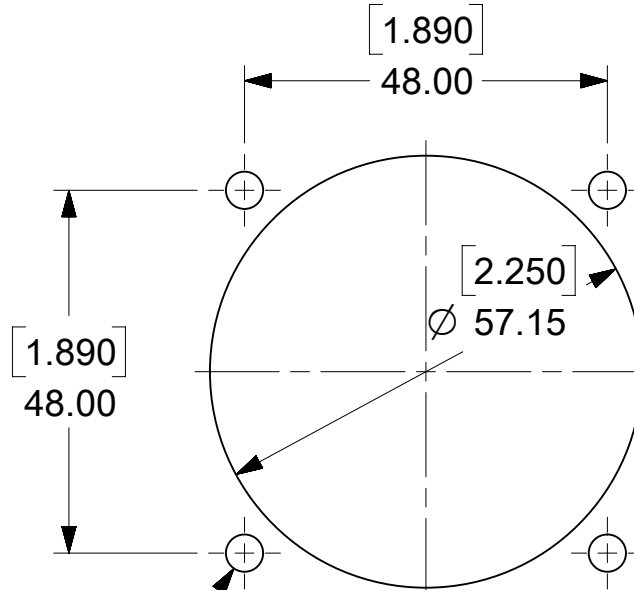
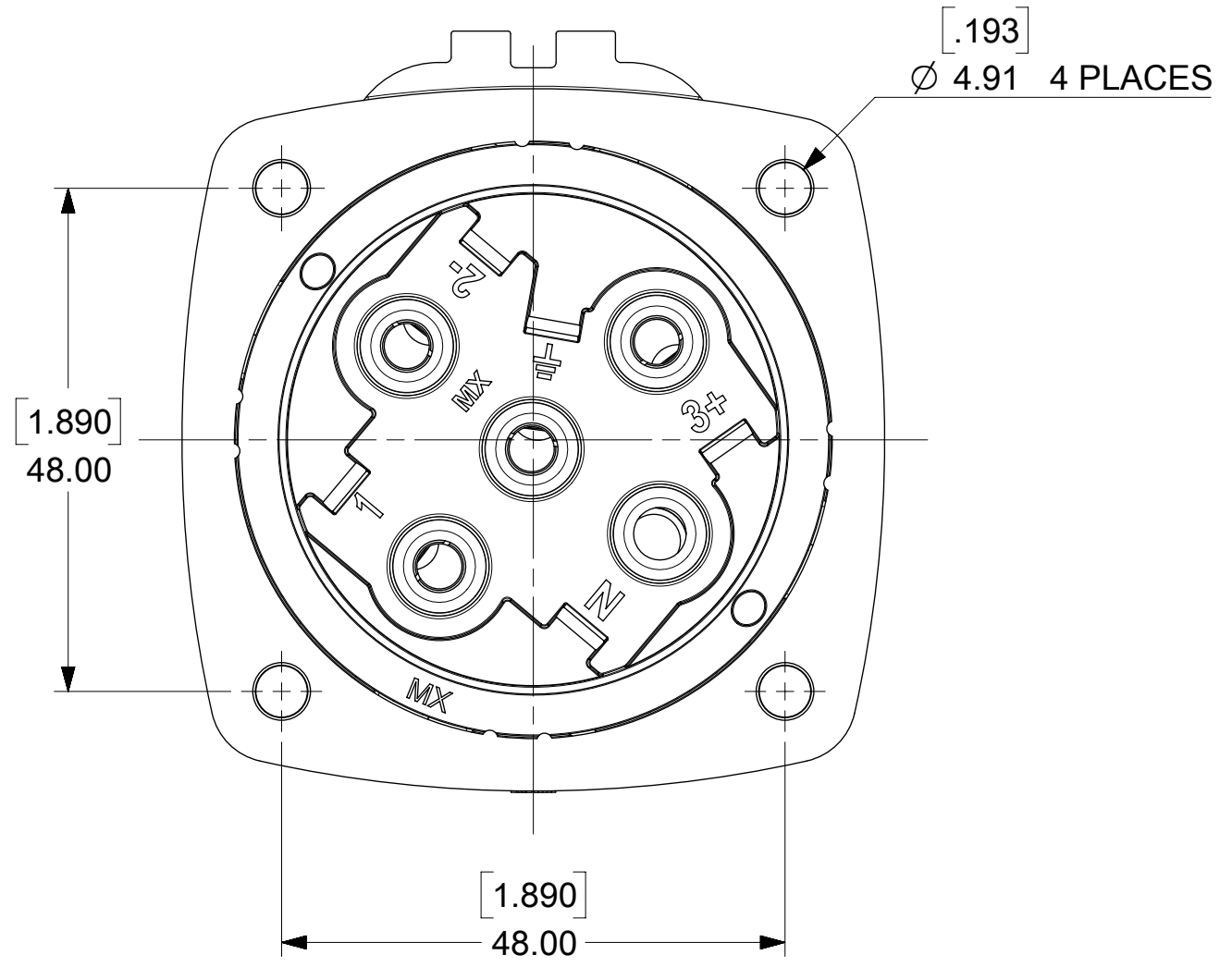
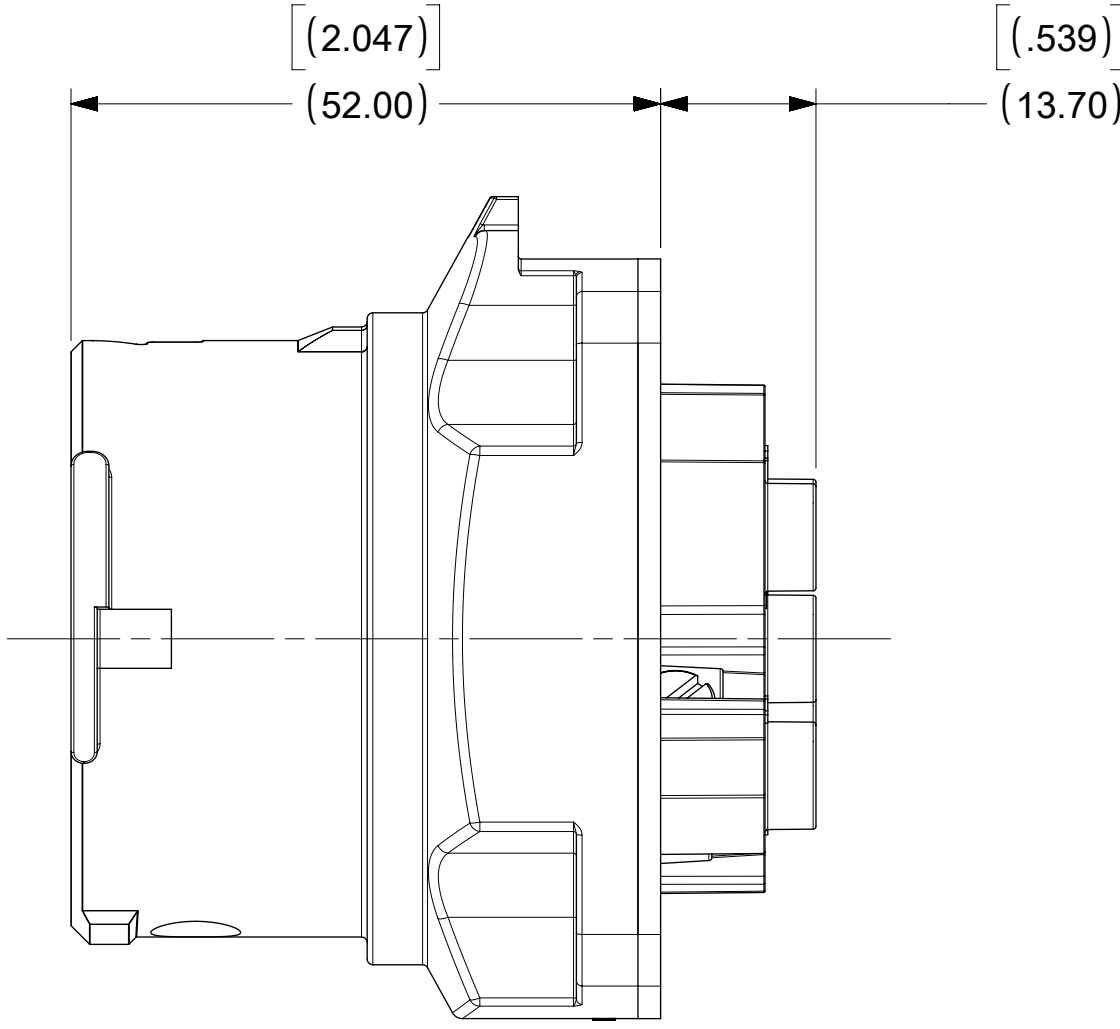
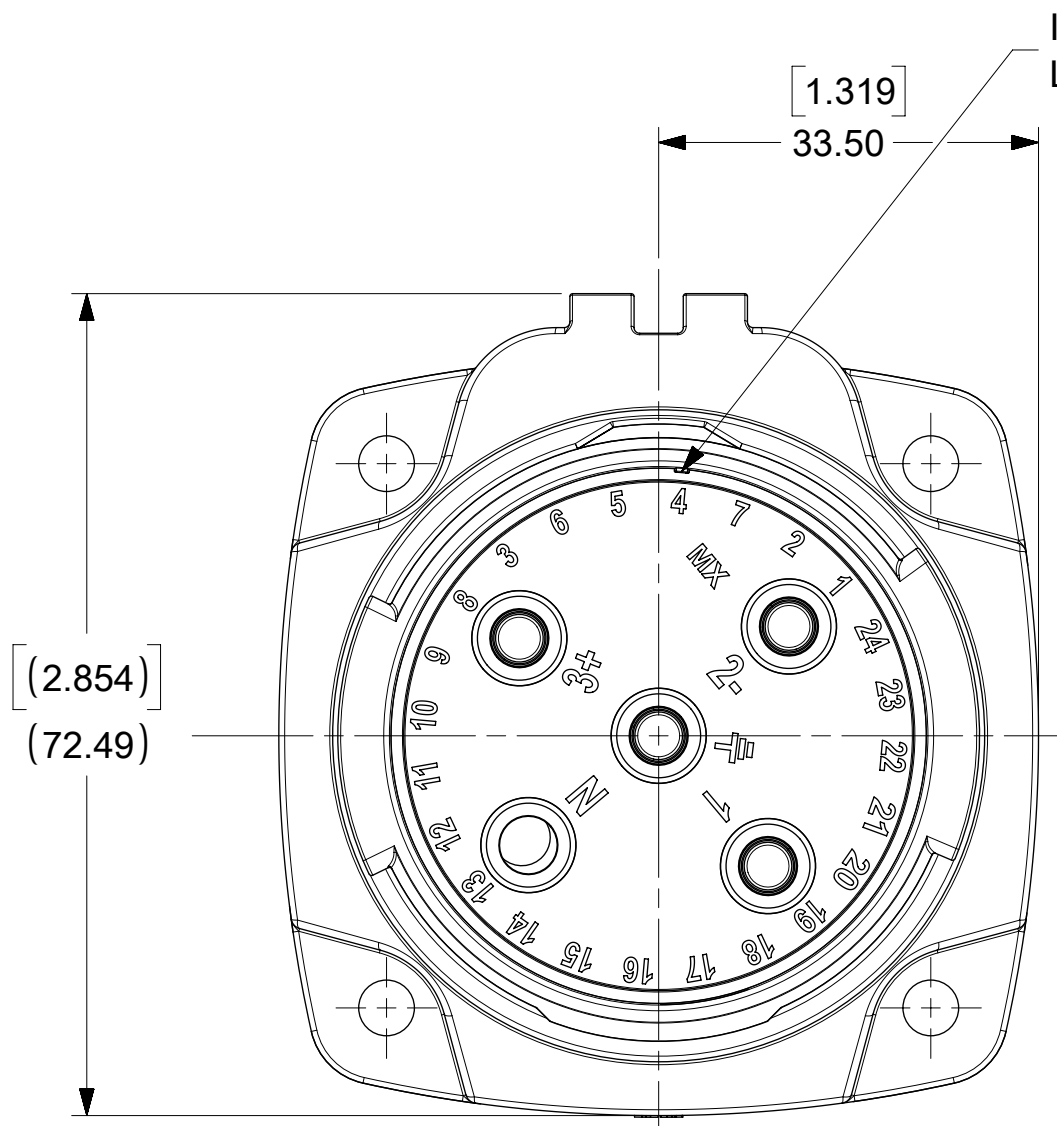


MATERIAL NUMBER	ENG NO.	DESCRIPTION	INSULATOR KEYING POSITION	HORSEPOWER RATING
1122191001	ARC30MA01	ARC 30A M 125VAC 1P+N+G	7	1 HP
1122191002	ARC30MB02	ARC 30A M 250VAC 2P+G		3 HP
1122191003	ARC30MB03	ARC 30A M 250VAC 3P+G		5 HP
1122191004	ARC30MAB04	ARC 30A M 125/250VAC 2P+N+G	16	NA
1122191005	ARC30MC02	ARC 30A M 208VAC 2P+G		NA
1122191006	ARC30MC03	ARC 30A M 208VAC 3P+G		5 HP
1122191007	ARC30MAC05	ARC 30A M 120/208VAC 3P+N+G	4	NA
1122191008	ARC30MD01	ARC 30A M 277VAC 1P+N+G		NA
1122191009	ARC30ME02	ARC 30A M 480VAC 2P+G		NA
1122191010	ARC30ME03	ARC 30A M 480VAC 3P+G	14	10 HP
1122191011	ARC30MDE05	ARC 30A M 277/480VAC 3P+N+G		NA
1122191012	ARC30MF02	ARC 30A M 600VAC 2P+G		NA
1122191013	ARC30MF03	ARC 30A M 600VAC 3P+G	14	NA
1122191014	ARC30MGF05	ARC 30A M 347/600VAC 3P+N+G		NA



SCALE 1:1

MOUNTING PATTERN  
 CLEARANCE FOR 8-32 FASTENER



NOTES:

MATERIALS:  
 HOUSINGS AND INSULATORS: GLASS FILLED PBT  
 CONTACTS: COPPER ALLOY WITH A SILVER NICKEL TIP, SILVER PLATED.  
 MOUNTING GASKET: SILICONE

RATING:  
 CURRENT: 30 AMPS  
 VOLTAGE AND HORSEPOWER: SEE TABLE  
 OPERATING TEMPERATURE: -40°C (-40°F) TO 60°C (140°F)  
 ENVIRONMENTAL: TYPE 4X, IP69K  
 WIRING CAPACITY: 12 AWG MIN. TO 8 AWG MAX.  
 TORQUE TERMINAL SCREWS TO 1.7 N-M (15 in/lbs)  
 AGENCY: UL LISTING PENDING  
 SWITCH RATED INLET/PLUG  
 BRANCH CIRCUIT DISCONNECT SWITCH  
 MOTOR CIRCUIT DISCONNECT SWITCH IF HP RATED

ARC30ME03 SHOWN

SYMBOLS	THIS DRAWING CONTAINS INFORMATION THAT IS PROPRIETARY TO MOLEX ELECTRONIC TECHNOLOGIES, LLC AND SHOULD NOT BE USED WITHOUT WRITTEN PERMISSION		CURRENT REV DESC: ADDED 10HP,NEW	
	DIMENSION UNITS	SCALE	NOTES	
▽ = 0	INCH	1.5:1	<p><b>molex</b></p> <p>ARC 30A M 480VAC 3P+G</p> <p>PRODUCT CUSTOMER DRAWING</p> <p>DOCUMENT NUMBER: 1122191010   DOC TYPE: PSD   DOC PART: 000   REVISION: B3</p> <p>MATERIAL NUMBER: GENERAL MARKET   CUSTOMER: 1 OF 1</p>	
▽ = 0	GENERAL TOLERANCES (UNLESS SPECIFIED)			
▽ = 0	MM	INCH		
▽ = 0	4 PLACES ±	±		
▽ = 0	3 PLACES ±	±	EC NO: 604773	
▽ = 0	2 PLACES ±	±	DRWN: MJANTELEZIO 2018/09/20	
▽ = 0	1 PLACE ±	±	CHK'D: JFMURPHY 2018/11/05	
▽ = 0	0 PLACES ±	±	APPR: JFMURPHY 2018/11/05	
▽ = 0	ANGULAR TOL ± °		INITIAL REVISION:	
▽ = 0	DRAFT WHERE APPLICABLE MUST REMAIN WITHIN DIMENSIONS	THIRD ANGLE PROJECTION	DRWN: DRWN BY XXXX/XX/XX	
▽ = 0		DRAWING C-SIZE	SERIES 112219	

THIS DRAWING REPLACES SD-112219-101

DOCUMENT STATUS	P1	RELEASE DATE	2018/11/05 17:31:31
-----------------	----	--------------	---------------------