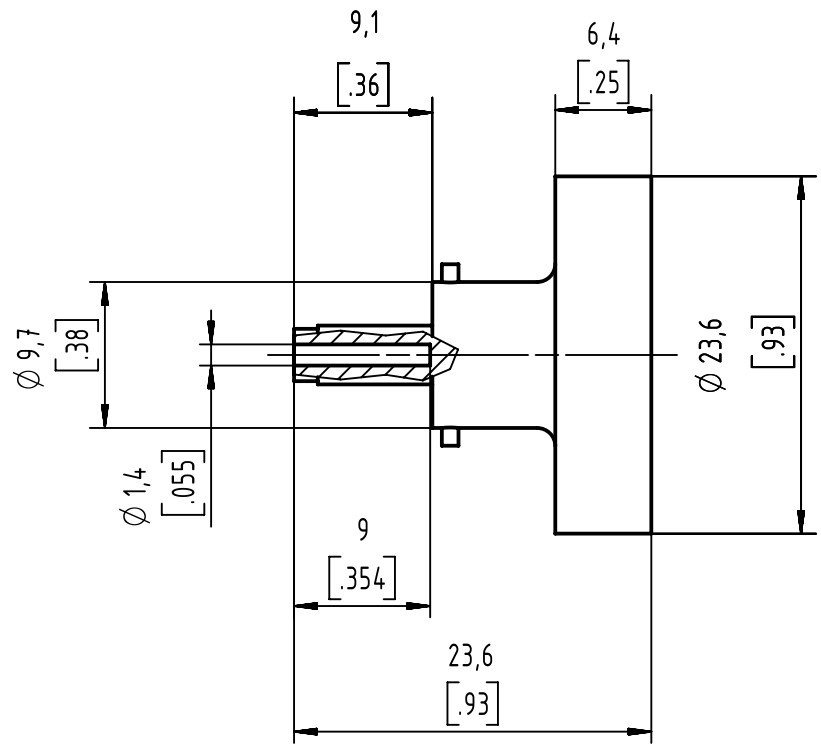
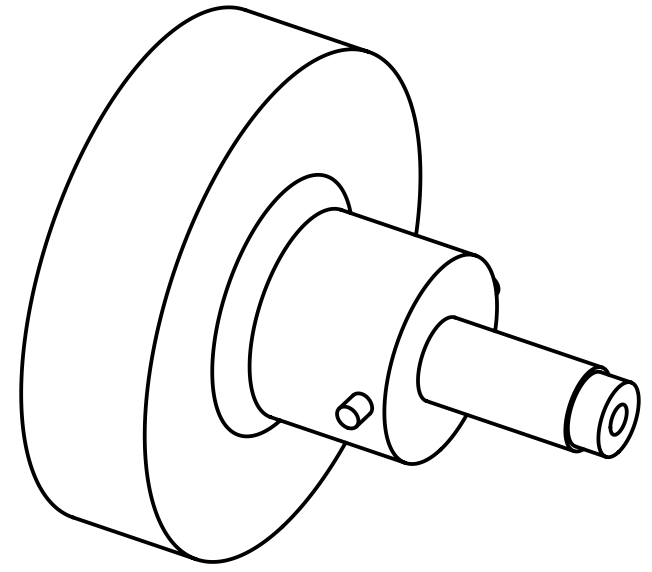


USE WITH CONTACTS
HARTING

	Selector			
AWG	23	24	26	28
24-28	/	5	4	4
23-26	5	5	4	/



Positionierhülse für Handcrimpzange 09 99 000 0501
Positioner for hand crimp tool 09 99 000 0501

	All rights reserved Department EC PD - DE	All Dimensions in mm Original Size DIN A4			Scale 1:1	Free size tol.	Ref.	
		HARTING Electronics GmbH D-32339 Espelkamp	Created by WAERMKER	Inspected by GENAU	Standardisation HOFFMANN	Date 2015-08-31	State Final Release	Sub. Rev. A Date 2014-09-09
		Title M12 harspeed locator female					Doc-Key / ECM-Nr. 100585444/UGD/001/B 500000093973	
		Type TB	Number 09990000635			Rev. B	Page 1/1	

Mouser Electronics

Authorized Distributor

Click to View Pricing, Inventory, Delivery & Lifecycle Information:

[HARTING:](#)

[09990000635](#)