

MICRO SWITCH

FREEPORT ILLINOIS, U.S.A
A DIVISION OF HONEYWELL

FED. MFG. CODE 91929

ACTUATOR - SWITCH

CATALOG LISTING

JS-138-B

JS-138-B

M

DRAWING NUMBER

ISSUE

REPLACES

RELEASE NO. PR - 2521

CHECK

REVISIONS

CHECK

22 MAR 72

DAW

CHECK

72

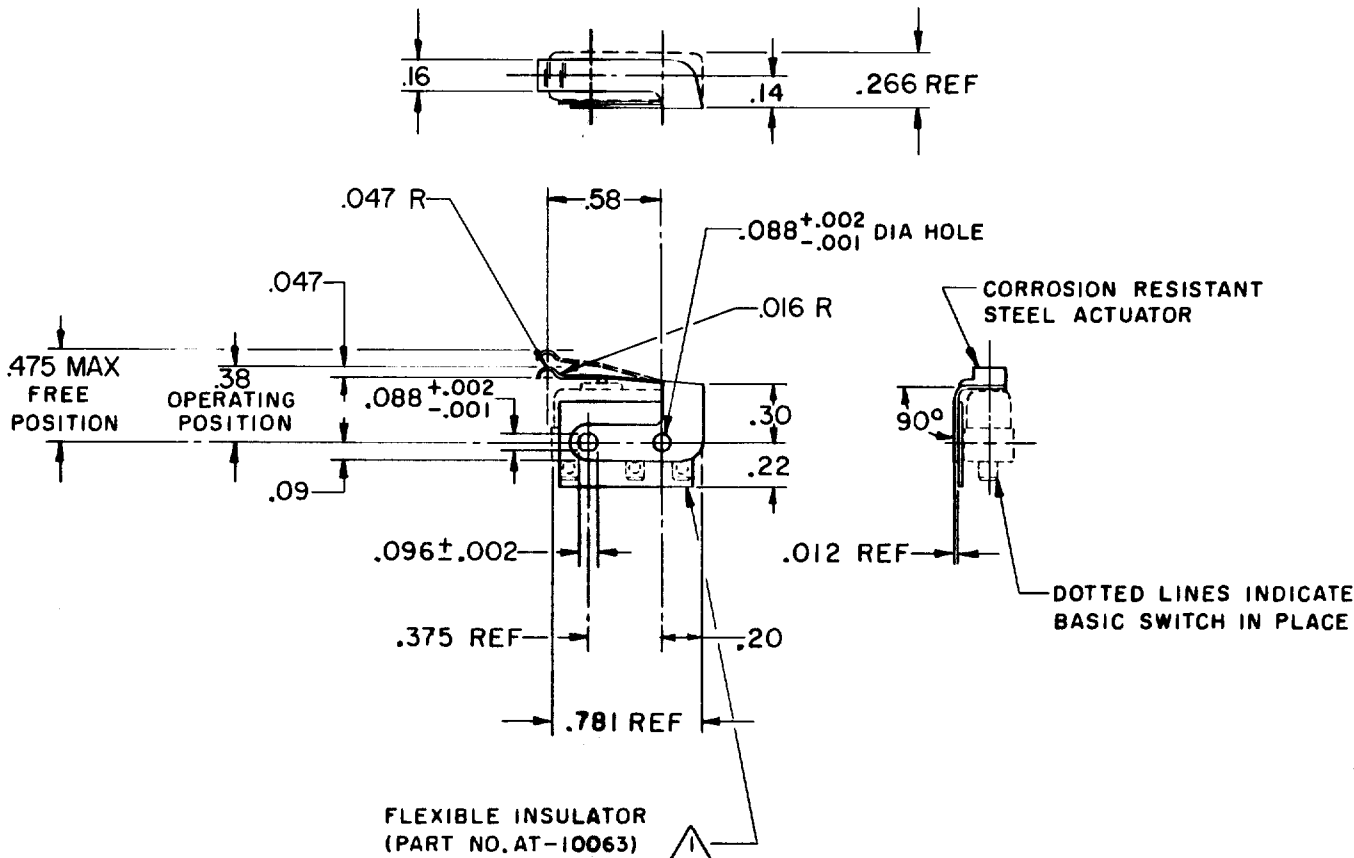
MAR

21

M J B

FO-50378-1A

DRAWN



NOTE -
△ - FURNISHED BULK PACKED

THIS DRAWING COVERS A PROPRIETARY ITEM AND IS THE PROPERTY OF MICRO SWITCH, A DIVISION OF HONEYWELL. THIS DRAWING IS NOT TO BE COPIED OR USED WITHOUT THE APPROVAL OF MICRO SWITCH.

CHARACTERISTICS

ELECTRICAL DATA

SCALE FULL

CONTACT ARRANGEMENT

DO NOT SCALE PRINT

UNLESS OTHERWISE NOTED

DIMENSIONS ARE IN INCHES

TOLERANCES ARE:

ONE PLACE	(.0)	± .030
TWO PLACE	(.00)	± .015
THREE PLACE	(.000)	± .005
ANGLES		± 1°

WEIGHT