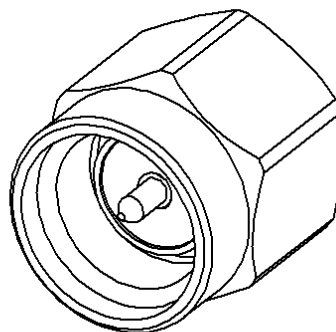
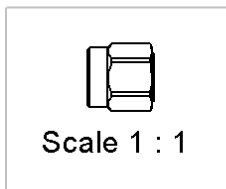
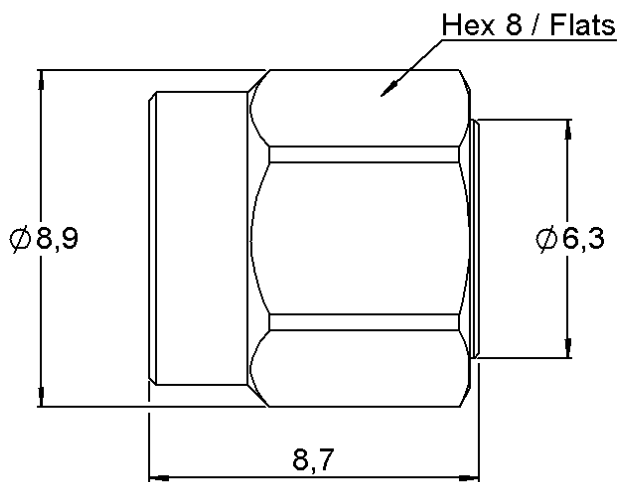
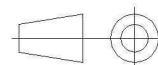


PAGE 1/2	ISSUE 1409A	SERIES TERMINATION	PART NUMBER R404N07000
----------	-------------	------------------------------	-------------------------------



All dimensions are in mm.



COMPONENTS	MATERIALS	PLATING (μm)
Body	STAINLESS STEEL	PASSIVATED
Center contact	BRASS	GOLD OVER NICKEL
Outer contact	STAINLESS STEEL	GOLD OVER NICKEL
Insulator	PTFE	
Gasket	SILICONE RUBBER	
Substrate	ALUMINA CERAMIC	
Resistor	THICK FILM	
Others parts	-	-

PAGE 2/2	ISSUE 1409A	SERIES TERMINATION	PART NUMBER R404N07000
----------	--------------------	------------------------------	-------------------------------

ELECTRICAL CHARACTERISTICS

Frequency (GHz)	DC - 8	8 - 12.4	12.4 - 22	22 - 26.5
V.S.W.R (≤)	1.10	1.15	1.20	1.35

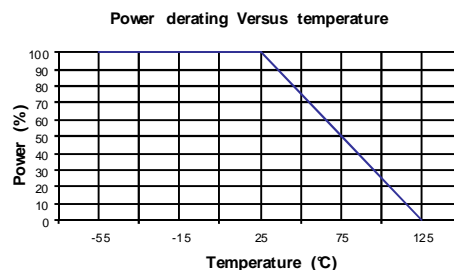
Operating Frequency Range	DC - 26.5	GHz
Impedance	50	Ω
DC Resistance	50	Ω ± 5%
Peak power at 25°C (1μs, 1% o)	100	W
Average power at 25°C	1	W (Free Air Cooled)
		W (Conduction Cooled)

MECHANICAL CHARACTERISTICS

Connectors	SMA	Male	MIL C 39012
Weight	2,2300 g		

ENVIRONMENTAL CHARACTERISTICS

Operating temperature range	-55/+125	°C
Storage temperature range	-55/+125	°C



SPECIFICATION

OTHER CHARACTERISTICS

IP67 in mated conditions