



OD5010 Series

DC Fan - 5V, 12V, 24V
50 x 10mm (1.97 x .39in)



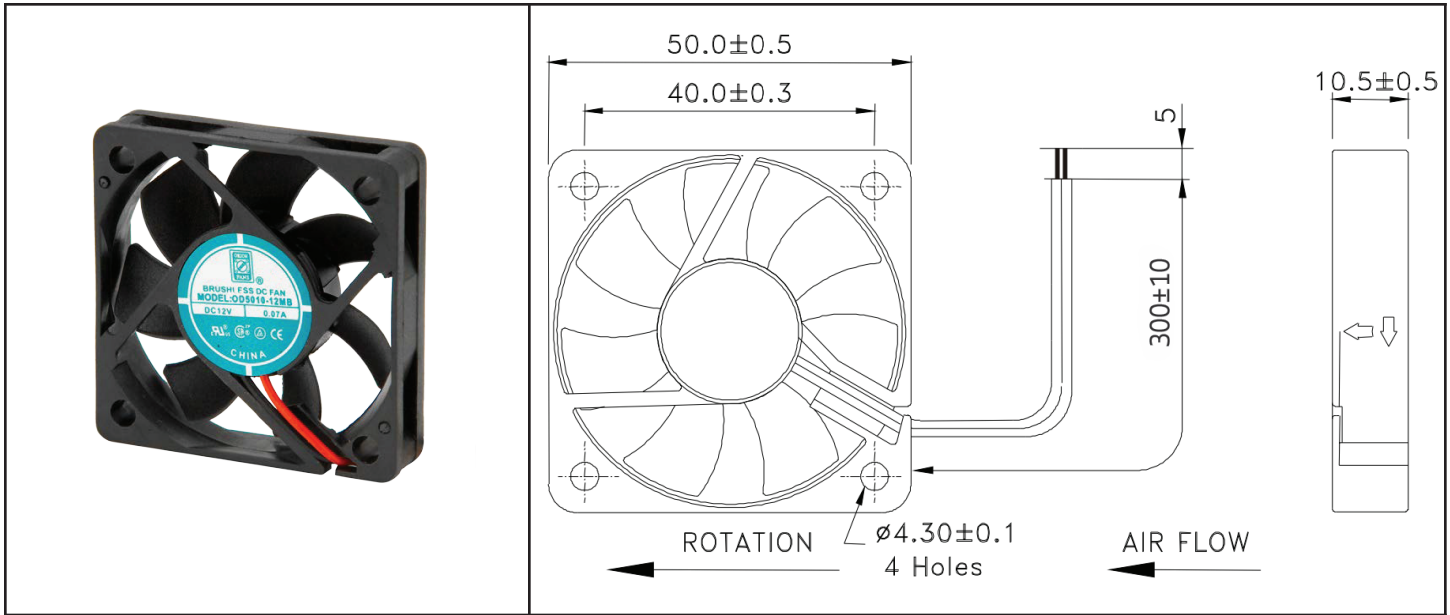
| Model # | Pg # | Voltage | RPM | CFM | Noise Level | Max Static Pressure |
|----------------|------|---------|------|-----|-------------|----------------------|
| OD5010-05H | 2 | 5 VDC | 5200 | 11 | 28 dB | .12 H ₂ O |
| OD5010-05M | 2 | 5 VDC | 4600 | 10 | 25 dB | .10 H ₂ O |
| OD5010-05L | 2 | 5 VDC | 3900 | 9 | 20 dB | .06 H ₂ O |
| OD5010-12H | 2 | 12 VDC | 5200 | 11 | 28 dB | .12 H ₂ O |
| OD5010-12M | 2 | 12 VDC | 4600 | 10 | 25 dB | .10 H ₂ O |
| OD5010-12L | 2 | 12 VDC | 3900 | 9 | 20 dB | .06 H ₂ O |
| OD5010-24H | 2 | 24 VDC | 5200 | 11 | 28 dB | .12 H ₂ O |
| OD5010-24M | 2 | 24 VDC | 4600 | 10 | 25 dB | .10 H ₂ O |
| OD5010-24L | 2 | 24 VDC | 3900 | 9 | 20 dB | .06 H ₂ O |
| OD5010-05MB02A | 3 | 5 VDC | 4600 | 10 | 25 dB | .10 H ₂ O |
| OD5010-12MB02A | 4 | 12 VDC | 4600 | 10 | 25 dB | .10 H ₂ O |

** For some models and part numbers, minimum order quantities may apply.

OD5010 Series



DC Fan - 5, 12, 24V
50x10mm (1.97"x 0.39")



| | | | |
|-----------------------|----------------------------------------------------|--------------------------------------------------------------------------------------------------------------------------------------------------------------------------------------------------------------------|--|
| Frame & Impeller | PBT, UL94V-O plastic | Available Options: Tachometer Alarm <u>Life Expectancy (L10)</u> 60,000 hrs Ball 50,000 hrs Sealed Sleeve 30,000 hrs Sleeve <u>Operating Temperature</u> -10C ~ 70C | |
| Connection | 2x Lead wires (~290mm) 26AWG | | |
| Motor | Brushless DC, auto restart, polarity protected | | |
| Bearing System | Dual Ball, sleeve, or sealed sleeve | | |
| Insulation Resistance | 10M ohm between leadwire and frame (500VDC) | | |
| Dielectric Strength | 1 second at 500 VAC, max leakage < 500 MicroAmp | | |

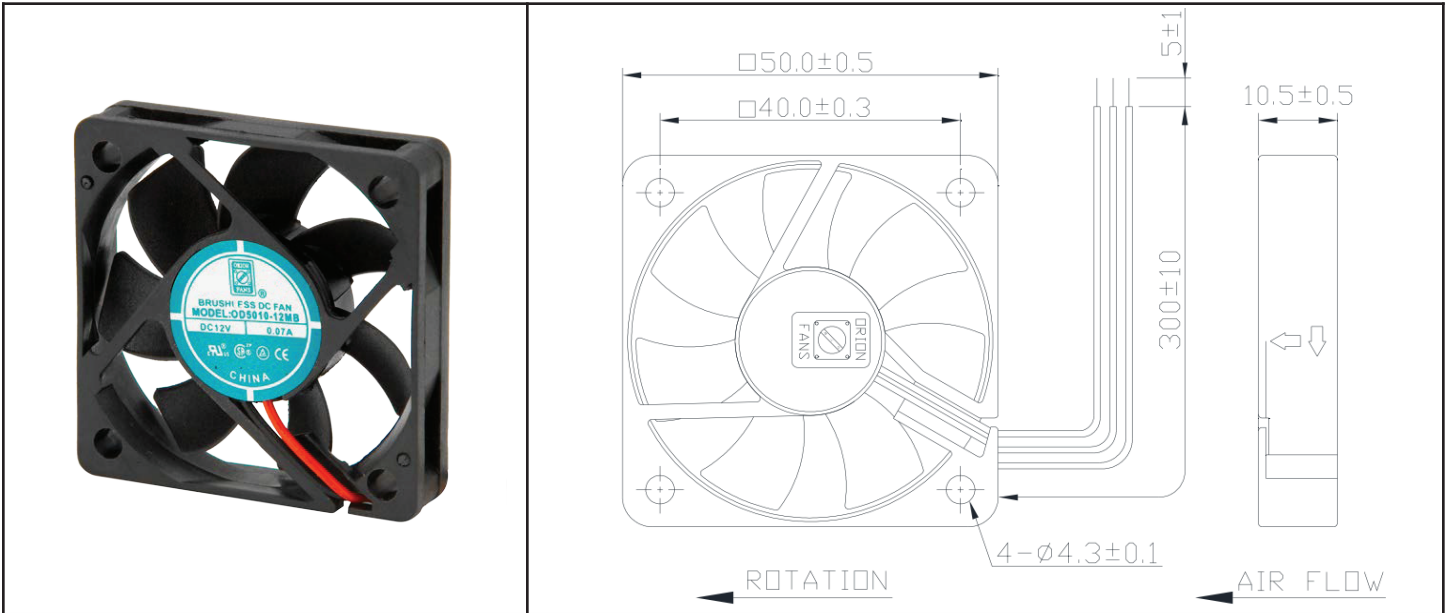
| Model Number | Speed (RPM) | Airflow (CFM) | Noise (dB) | Volts DC | Input Power (Watts) | Amps | Max. Static Pressure ("H2O) |
|--------------|-------------|---------------|------------|----------|---------------------|------|-----------------------------|
| OD5010-05H * | 5200 | 11 | 28 | 5 | 1.15 | 0.23 | 0.12 |
| OD5010-05M * | 4600 | 10 | 25 | 5 | 0.75 | 0.15 | 0.10 |
| OD5010-05L * | 3900 | 9 | 20 | 5 | 0.45 | 0.10 | 0.06 |
| OD5010-12H * | 5200 | 11 | 28 | 12 | 1.44 | 0.12 | 0.12 |
| OD5010-12M * | 4600 | 10 | 25 | 12 | 1.08 | 0.09 | 0.10 |
| OD5010-12L * | 3900 | 9 | 20 | 12 | 0.96 | 0.08 | 0.06 |
| OD5010-24H * | 5200 | 11 | 28 | 24 | 1.92 | 0.08 | 0.12 |
| OD5010-24M * | 4600 | 10 | 25 | 24 | 1.44 | 0.06 | 0.10 |
| OD5010-24L * | 3900 | 9 | 20 | 24 | 1.20 | 0.05 | 0.06 |

* Indicate "B" for ball bearing, "S" for sleeve bearing, or "SS" for sealed sleeve

OD5010-05MB02A



DC Fan, 5VDC
50x10mm (1.97x.39in)



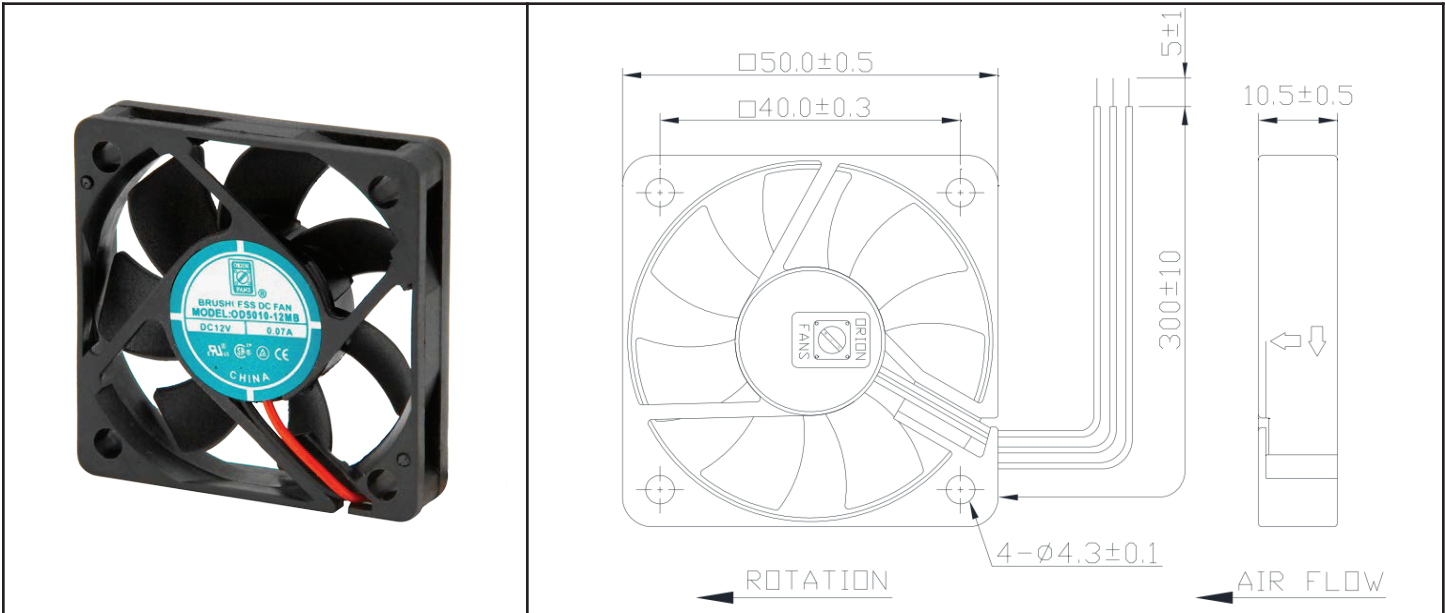
| | | | |
|-----------------------|-------------------------------------------------|----------------------------------------------------------------------------------------------------------------------------------------------------------------------------------------|--|
| Frame & Impeller | PBT, UL94V-0 plastic | Available Options IP55 Other speeds and voltages Tachometer *Connection: Wire Leads - UL1007 26AWG Red(+), Black (-), Yellow Alarm Weight: 18 g | |
| Connection | 3x Lead wires * | | |
| Motor | Brushless DC, auto restart, polarity protected. | | |
| Bearing System | Dual ball bearing | | |
| Insulation Resistance | Min. 10M at 500VDC | | |
| Dielectric Strength | 1 second at 500VAC max leakage 500 microamp | | |
| Temperature Range | -10C ~ 70C | | |
| Storage Temperature | -40C ~ +80C | | |
| Life (L10) | 60,000 hours (40C) | | |

| | | |
|----------------------|-----------------------|--------------------------------------------------------------------------------------------------------------------------------------------------------------------------------------------------------------------------------------------------------------------------------------------------------------------------------------------------------------------------------------------------------------------------------------------------------------------------------------------|
| Model Number | OD5010-05MB02A | Output of locked signal *Output type.....Open collector type *Electrical design suggestion: (External signal function design is decided by customer) *Transistor Q1 at "ON" position Collector current..... $I_c=10\text{mA Max}$ Saturation Voltage..... $V_{ce}=1.0\text{V Max}$ (Between Collector and Emitter at $I_c=10\text{mA}$) *Transistor Q1 at "OFF" position Release Voltage..... $V_{ce}=5.5\text{V Max}$ *Output waveform |
| Part Number | 150531231 | |
| Nominal Voltage | 5 VDC | |
| Voltage Range | 4 ~ 5.5 VDC | |
| Nominal Current | .15 A | |
| Rated Power | .75 Watts | |
| Rated Speed (RPM) | 4600 | |
| Airflow (CFM) | 10 | |
| Noise Level (dB) | 25 | |
| Max. Static Pressure | .10 "H ₂ O | |

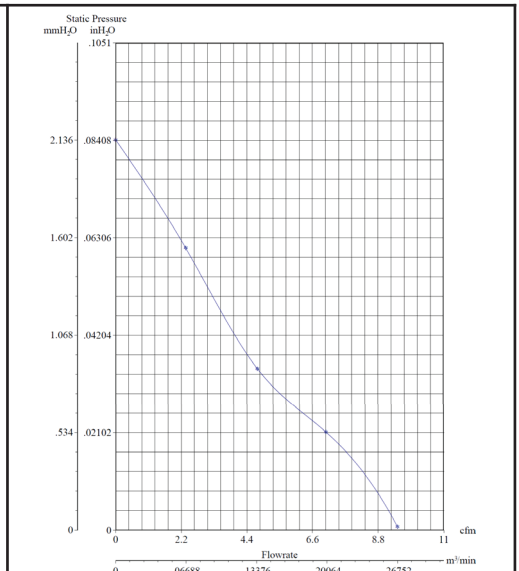
OD5010-12MB02A



DC Fan, 12VDC
50x10mm (1.97x.39in)



| | | |
|-----------------------|-------------------------------------------------|----------------------------------------------------------------------------------------------------------------------------------------------------------------------------------------|
| Frame & Impeller | PBT, UL94V-0 plastic | Available Options IP55 Other speeds and voltages Tachometer *Connection: Wire Leads - UL1007 26AWG Red(+), Black (-), Yellow Alarm Weight: 18 g |
| Connection | 3x Lead wires * | |
| Motor | Brushless DC, auto restart, polarity protected. | |
| Bearing System | Dual ball bearing | |
| Insulation Resistance | Min. 10M at 500VDC | |
| Dielectric Strength | 1 second at 500VAC max leakage 500 microamp | |
| Temperature Range | -10C ~ 70C | |
| Storage Temperature | -40C ~ +80C | |
| Life (L10) | 60,000 hours (40C) | |



| | |
|----------------------|-----------------------|
| Model Number | OD5010-12MB02A |
| Part Number | 150131231 |
| Nominal Voltage | 12 VDC |
| Voltage Range | 9 ~ 13.2 VDC |
| Nominal Current | .09 A |
| Rated Power | 1.08 Watts |
| Rated Speed (RPM) | 4600 |
| Airflow (CFM) | 10 |
| Noise Level (dB) | 25 |
| Max. Static Pressure | .10 "H ₂ O |

Output of locked signal
 *Output type.....Open collector type
 *Electrical design suggestion:
 (External signal function design is decided by customer)

*Transistor Q1 at "ON" position
 Collector current.....I_c=5mA Max
 Saturation Voltage.....V_{ce}=1.0V Max
 (Between Collector and Emitter at I_c=5mA)
 *Transistor Q1 at "OFF" position
 Release Voltage.....V_{ce}=15V Max

*Output waveform