



OD5010 Series

DC Fan - 5V, 12V, 24V
50 x 10mm (1.97 x .39in)



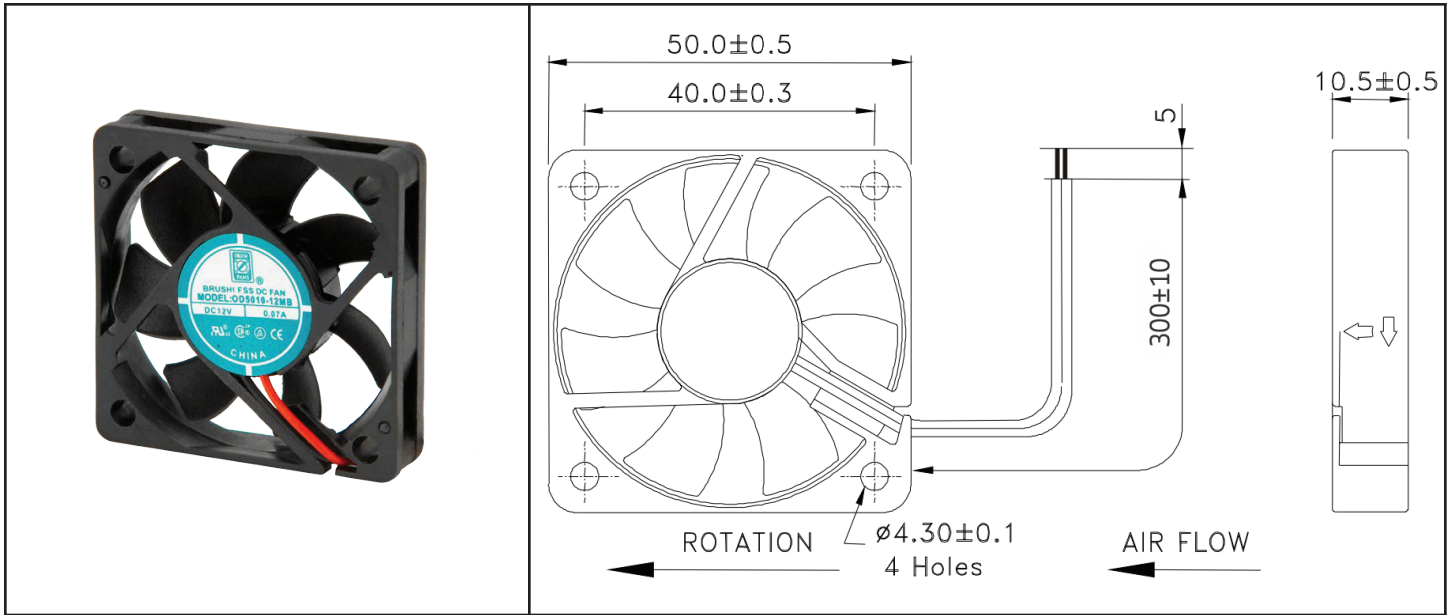
Model #	Pg #	Voltage	RPM	CFM	Noise Level	Max Static Pressure
OD5010-05H	2	5 VDC	5200	11	28 dB	.12 H ₂ O
OD5010-05M	2	5 VDC	4600	10	25 dB	.10 H ₂ O
OD5010-05L	2	5 VDC	3900	9	20 dB	.06 H ₂ O
OD5010-12H	2	12 VDC	5200	11	28 dB	.12 H ₂ O
OD5010-12M	2	12 VDC	4600	10	25 dB	.10 H ₂ O
OD5010-12L	2	12 VDC	3900	9	20 dB	.06 H ₂ O
OD5010-24H	2	24 VDC	5200	11	28 dB	.12 H ₂ O
OD5010-24M	2	24 VDC	4600	10	25 dB	.10 H ₂ O
OD5010-24L	2	24 VDC	3900	9	20 dB	.06 H ₂ O
OD5010-05MB02A	3	5 VDC	4600	10	25 dB	.10 H ₂ O
OD5010-12MB02A	4	12 VDC	4600	10	25 dB	.10 H ₂ O

** For some models and part numbers, minimum order quantities may apply.

OD5010 Series



DC Fan - 5, 12, 24V
50x10mm (1.97"x 0.39")



Frame & Impeller	PBT, UL94V-O plastic	Available Options: Tachometer Alarm Life Expectancy (L10) 60,000 hrs Ball 50,000 hrs Sealed Sleeve 30,000 hrs Sleeve Operating Temperature -10C ~ 70C	
Connection	2x Lead wires (~290mm) 26AWG		
Motor	Brushless DC, auto restart, polarity protected		
Bearing System	Dual Ball, sleeve, or sealed sleeve		
Insulation Resistance	10M ohm between leadwire and frame (500VDC)		
Dielectric Strength	1 second at 500 VAC, max leakage < 500 MicroAmp		

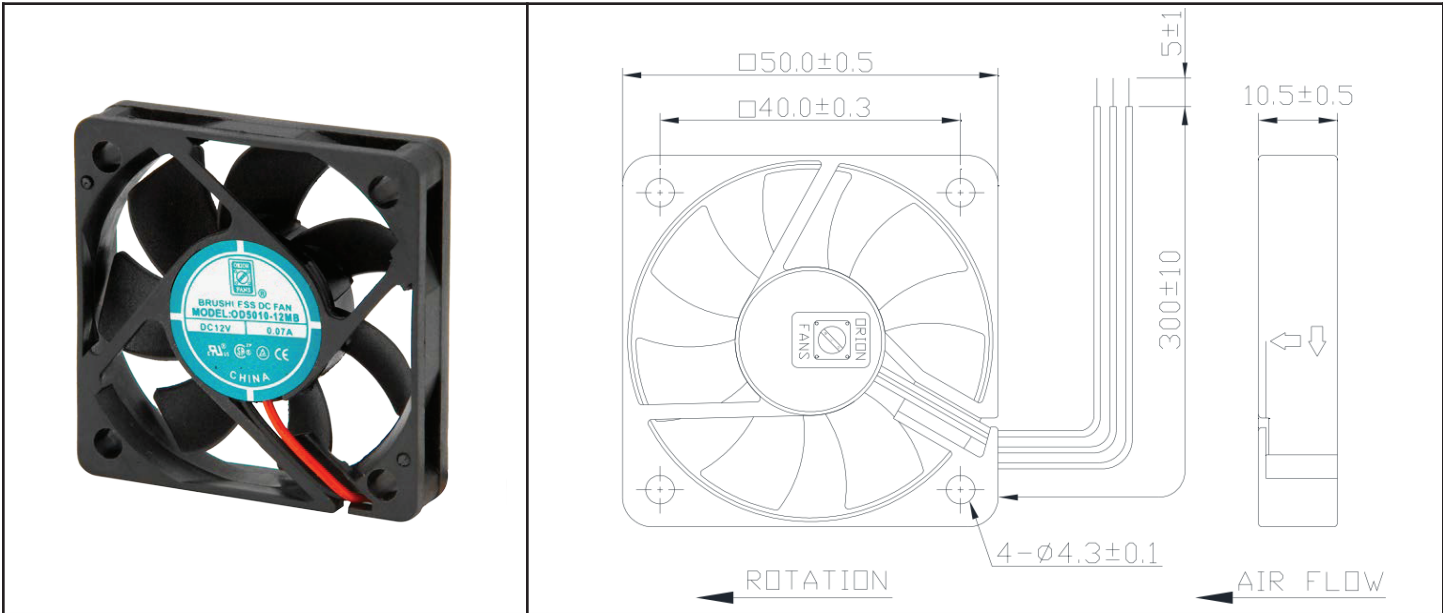
Model Number	Speed (RPM)	Airflow (CFM)	Noise (dB)	Volts DC	Input Power (Watts)	Amps	Max. Static Pressure ("H2O)
OD5010-05H *	5200	11	28	5	1.15	0.23	0.12
OD5010-05M *	4600	10	25	5	0.75	0.15	0.10
OD5010-05L *	3900	9	20	5	0.45	0.10	0.06
OD5010-12H *	5200	11	28	12	1.44	0.12	0.12
OD5010-12M *	4600	10	25	12	1.08	0.09	0.10
OD5010-12L *	3900	9	20	12	0.96	0.08	0.06
OD5010-24H *	5200	11	28	24	1.92	0.08	0.12
OD5010-24M *	4600	10	25	24	1.44	0.06	0.10
OD5010-24L *	3900	9	20	24	1.20	0.05	0.06

* Indicate "B" for ball bearing, "S" for sleeve bearing, or "SS" for sealed sleeve

OD5010-05MB02A



DC Fan, 5VDC
50x10mm (1.97x.39in)



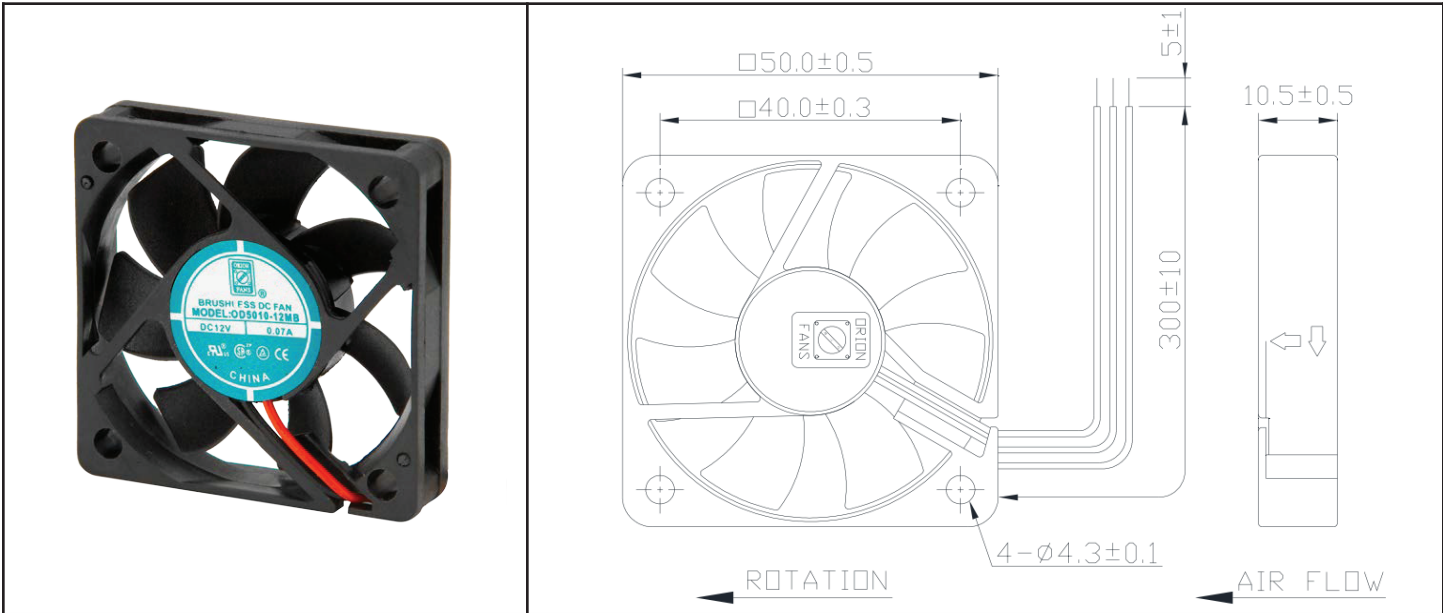
Frame & Impeller	PBT, UL94V-0 plastic	Available Options IP55 Other speeds and voltages Tachometer *Connection: Wire Leads - UL1007 26AWG Red(+), Black (-), Yellow Alarm Weight: 18 g	
Connection	3x Lead wires *		
Motor	Brushless DC, auto restart, polarity protected.		
Bearing System	Dual ball bearing		
Insulation Resistance	Min. 10M at 500VDC		
Dielectric Strength	1 second at 500VAC max leakage 500 microamp		
Temperature Range	-10C ~ 70C		
Storage Temperature	-40C ~ +80C		
Life (L10)	60,000 hours (40C)		

Model Number	OD5010-05MB02A	Output of locked signal *Output type.....Open collector type *Electrical design suggestion: (External signal function design is decided by customer) *Transistor Q1 at "ON" position Collector current..... $I_c=10\text{mA Max}$ Saturation Voltage..... $V_{ce}=1.0\text{V Max}$ (Between Collector and Emitter at $I_c=10\text{mA}$) *Transistor Q1 at "OFF" position Release Voltage..... $V_{ce}=5.5\text{V Max}$ *Output waveform
Part Number	150531231	
Nominal Voltage	5 VDC	
Voltage Range	4 ~ 5.5 VDC	
Nominal Current	.15 A	
Rated Power	.75 Watts	
Rated Speed (RPM)	4600	
Airflow (CFM)	10	
Noise Level (dB)	25	
Max. Static Pressure	.10 "H ₂ O	

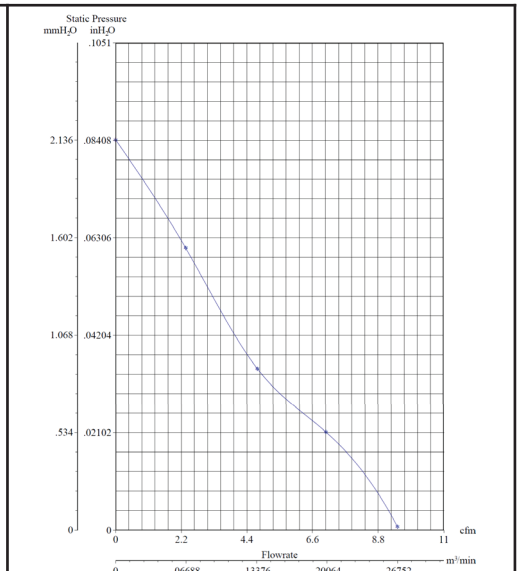
OD5010-12MB02A



DC Fan, 12VDC
50x10mm (1.97x.39in)



Frame & Impeller	PBT, UL94V-0 plastic	Available Options IP55 Other speeds and voltages Tachometer *Connection: Wire Leads - UL1007 26AWG Red(+), Black (-), Yellow Alarm Weight: 18 g
Connection	3x Lead wires *	
Motor	Brushless DC, auto restart, polarity protected.	
Bearing System	Dual ball bearing	
Insulation Resistance	Min. 10M at 500VDC	
Dielectric Strength	1 second at 500VAC max leakage 500 microamp	
Temperature Range	-10C ~ 70C	
Storage Temperature	-40C ~ +80C	
Life (L10)	60,000 hours (40C)	



Model Number	OD5010-12MB02A
Part Number	150131231
Nominal Voltage	12 VDC
Voltage Range	9 ~ 13.2 VDC
Nominal Current	.09 A
Rated Power	1.08 Watts
Rated Speed (RPM)	4600
Airflow (CFM)	10
Noise Level (dB)	25
Max. Static Pressure	.10 "H ₂ O

Output of locked signal
 *Output type.....Open collector type
 *Electrical design suggestion:
 (External signal function design is decided by customer)

*Transistor Q1 at "ON" position
 Collector current.....I_c=5mA Max
 Saturation Voltage.....V_{ce}=1.0V Max
 (Between Collector and Emitter at I_c=5mA)
 *Transistor Q1 at "OFF" position
 Release Voltage.....V_{ce}=15V Max

*Output waveform