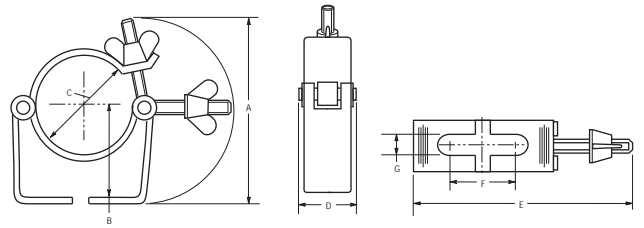


## Fuseclips for Medium & High Voltage Fuses

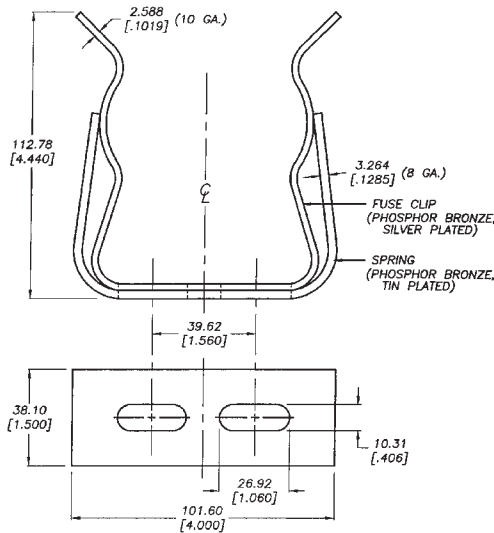
### Recommended Fuseclips for Medium Voltage Fuses

Catalog Numbers	Fuse Diameter - in (mm)	Clip Dimensions (in)						
		A	B	C	D	E	F	G
A3354710	2 (50.8)	3.749	1.979	2.009	1.189	4.539	1.509	0.399
A3354730	3 (76)	4.139	2.449	3.009	1.189	5.639	1.509	0.399
A3354745	1.77 (45)	3.50	2.50	1.77	1.19	4.50	1.50	0.38

Fuseclips are for single barrel applications only. Are not sold in pairs.

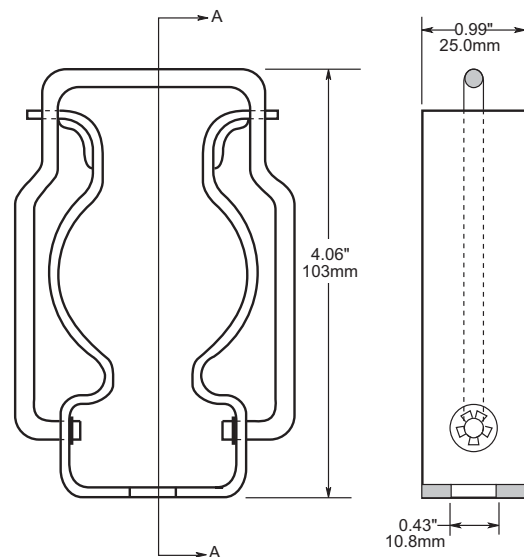


#### 1A0065 3" Diameter Clip



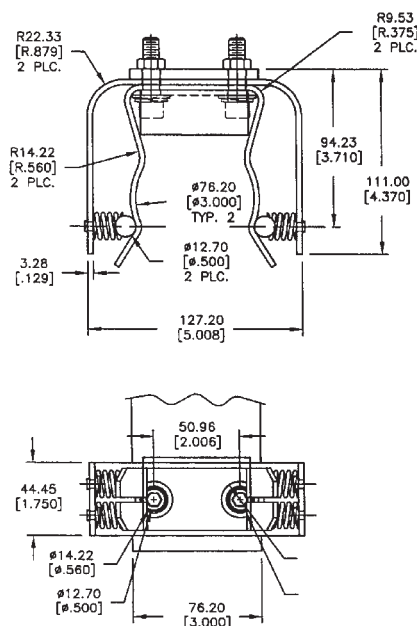
2 CLIP ASSEMBLIES PER PACKAGE.  
DIMENSIONS SHOWN ARE FOR REFERENCE ONLY.

#### 270303 DIN Fuseclip



Medium Voltage Fuses

#### 9078A67G04 3" Diameter Clip



2 Cup assemblies per package.  
Dimensions shown are for reference only.