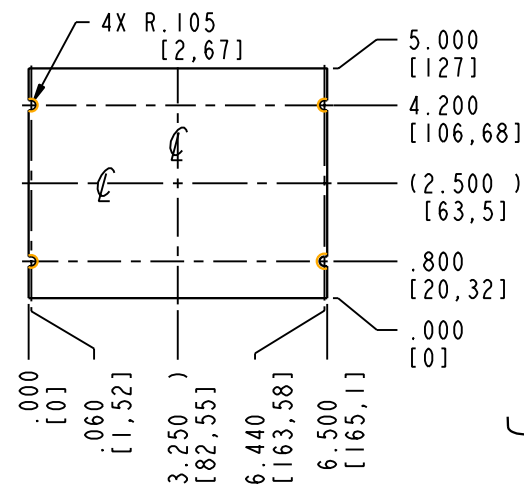
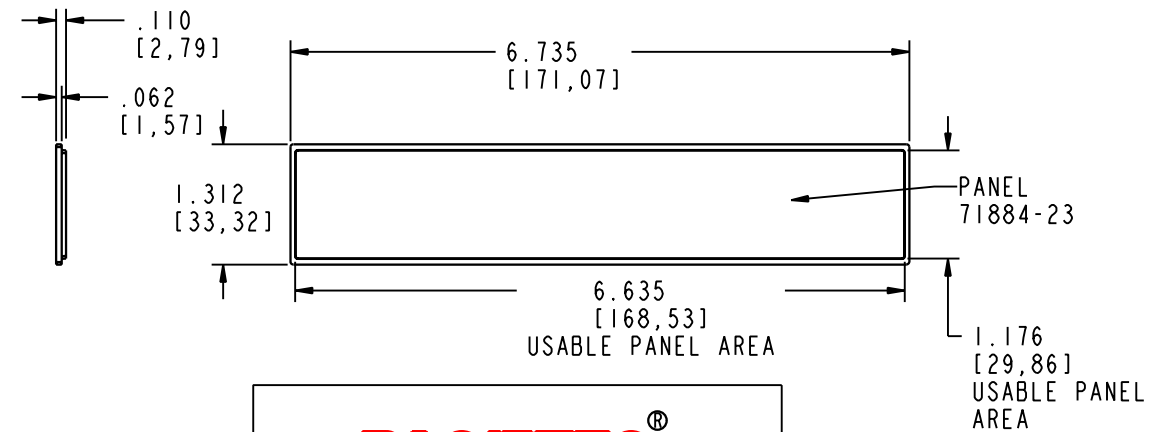
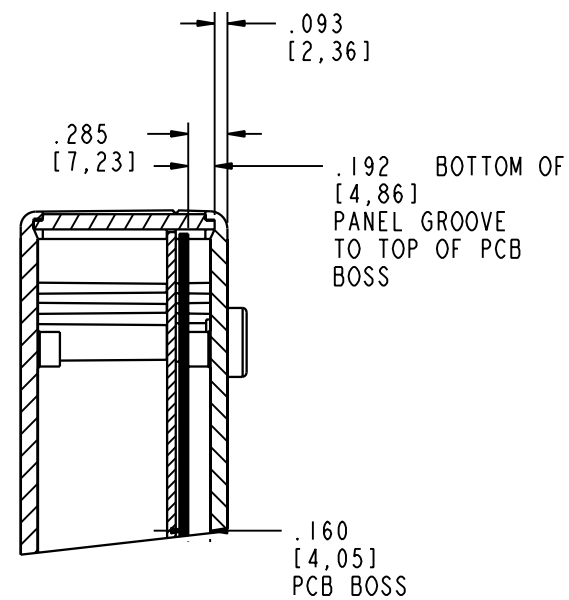
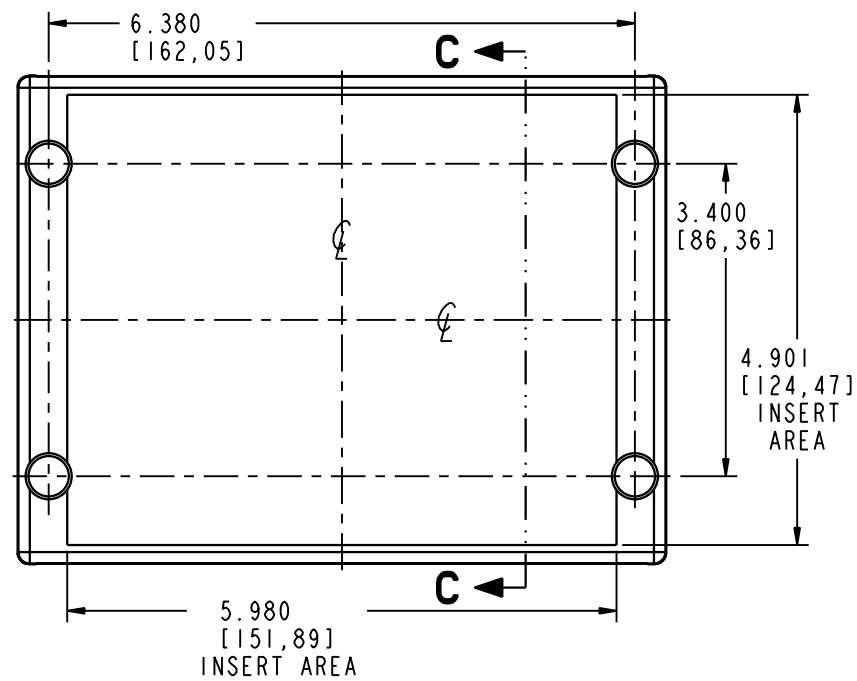
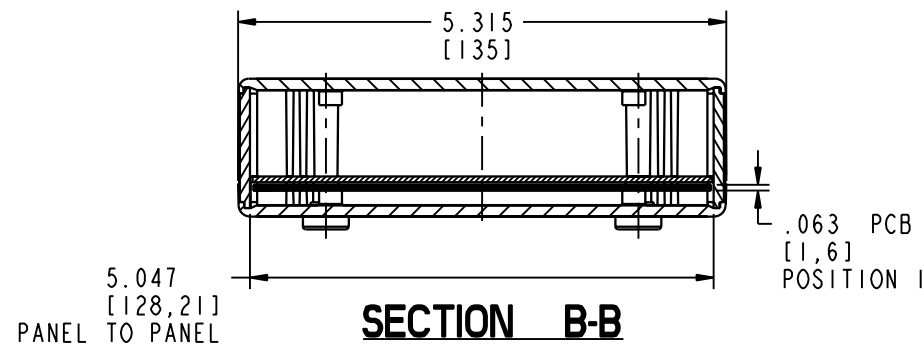
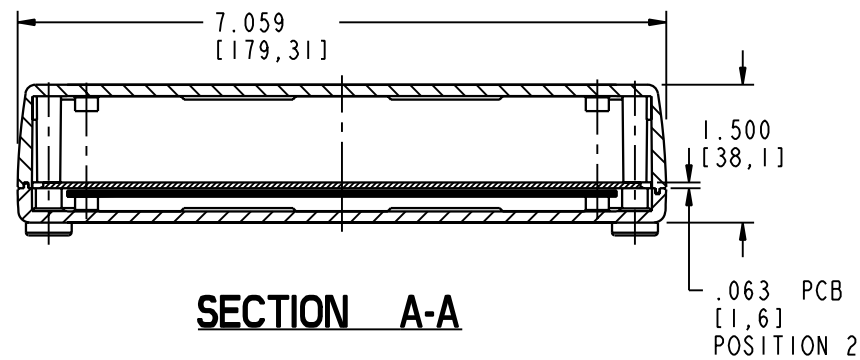
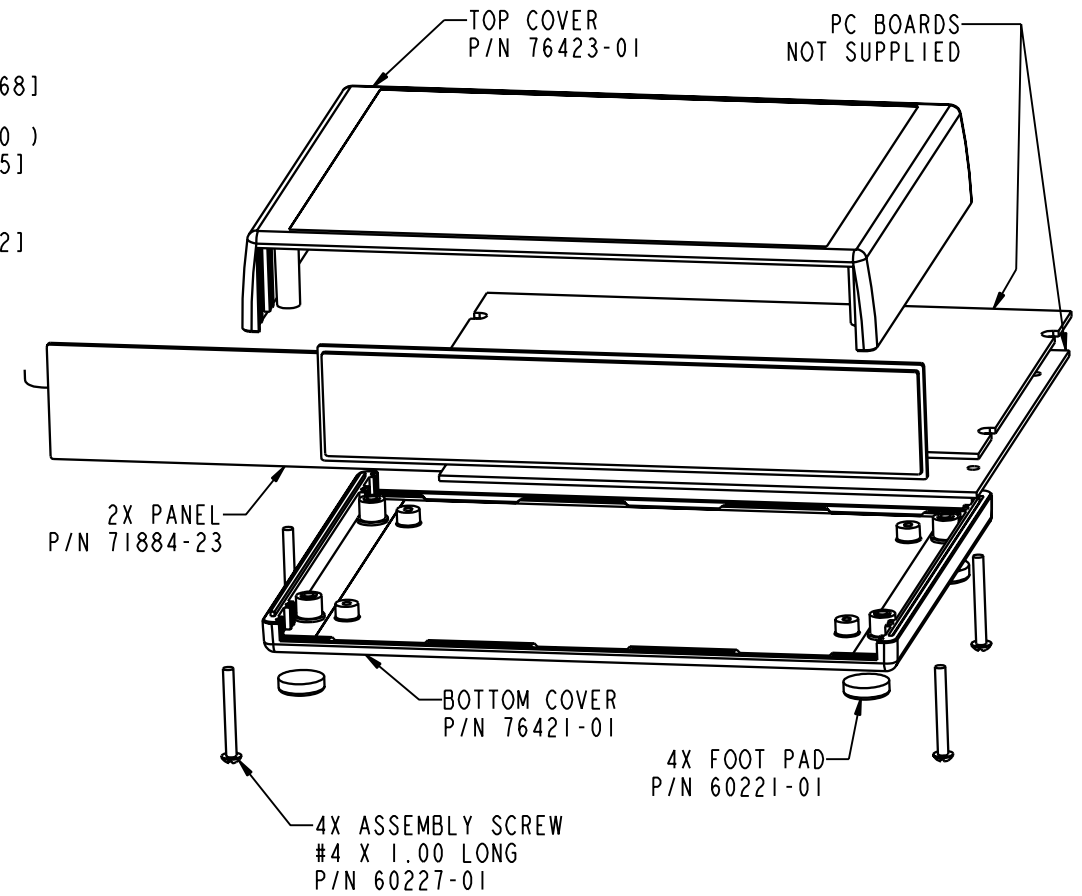


POSITION NO. 1
RECOMMENDED PCB SIZE
SCALE: 1/2



POSITION NO. 2
RECOMMENDED PCB SIZE
SCALE: 1/2



PACNTEC[®]
1-610-361-4231

LH75-130

VISIT **PACNTEC**[®]
ON THE WORLD WIDE WEB
www.pactecenclosures.com

COLOR / MATERIAL CODE		
COLOR	94HB	94VO
BLACK	000	028
P. C. BONE	039	060

DRAWING NUMBER	REV
77222	E