

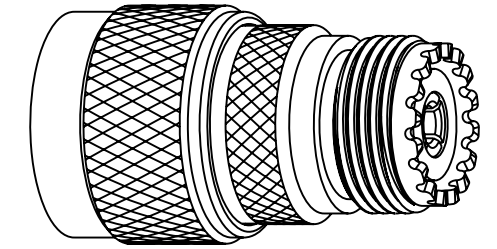
NOTES:

1. MATERIALS AND FINISHES:
 BODY - BRASS, NICKEL PLATING
 CONTACT - BRASS, SILVER PLATING
 INSULATOR - CO-POLYMER OF STYRENE, NATURAL
2. ELECTRICAL:
 A. IMPEDANCE: 50 OHM
 B. VSWR: 1.3 MAX.
 C. FREQUENCY RANGE: DC 0-300 MHz
 D. DIELECTRIC WITHSTANDING VOLTAGE: 1500 VRMS, MIN.
3. MECHANICAL:
 A. DURABILITY: 500 CYCLES MIN.
 B. TEMPERATURE RANGE: - 55°C to +85°C

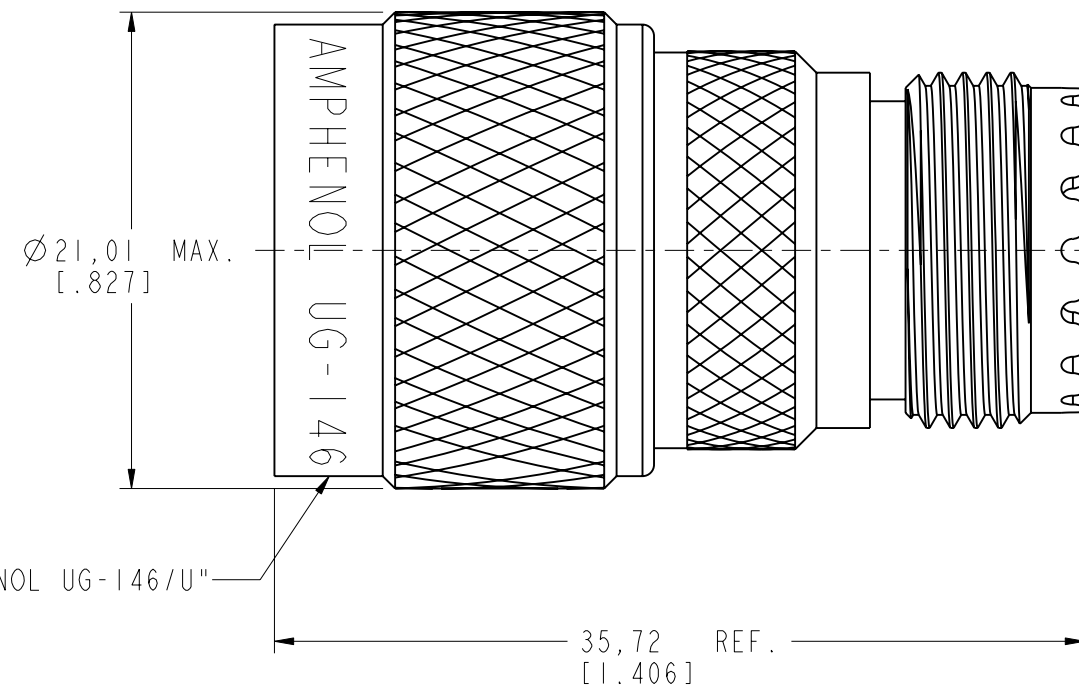
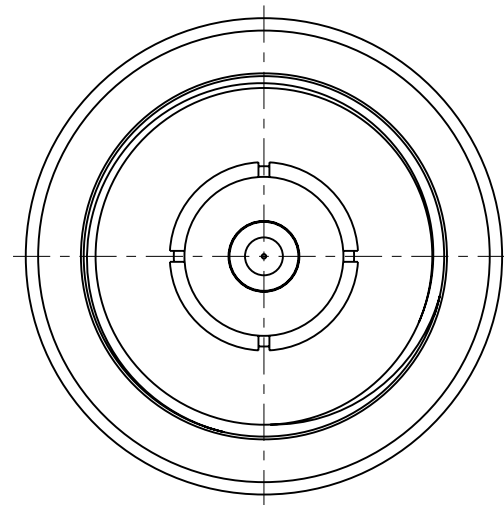
THIRD ANGLE PROJ.

REVISIONS

REV	DESCRIPTION	DATE	ECO	APPR
M	ADDED NOTES 2 THRU 7	2-23-93	39230	DR
N	ADD COD SHEET	16-Oct-12	49076	SH



SCALE 1.500



STAMP "AMPHENOL UG-146/U"

CUSTOMER OUTLINE DRAWING

ALL OTHER SHEETS ARE FOR INTERNAL USE ONLY

UNLESS OTHERWISE SPECIFIED, DIMENSIONS ARE IN METRIC AND TOLERANCES ARE: <0.5mm ±0.05mm 0.5 - 6mm ±0.1mm 6 - 30mm ±0.2mm 30 - 120mm ±0.3mm ANGLES ±1°	MATERIAL	DRAWN R. MAO	DATE 11-Jun-12	TITLE ADAPTER-UHF FEMALE N MALE UG-146/U	Amphenol RF www.amphenolrf.com
	REFERENCE	ENGINEER S. HSIEH	DATE 11-Jun-12		
NOTICE - These drawings, specifications, or other data (1) are, and remain the property of Amphenol corp. (2) must be returned upon request; and (3) are confidential and not to be disclosed to any person other than those to whom they are given by Amphenol Corp. the furnishing of these drawings, specifications, or other data by Amphenol Corp., or to any other person to anyone for any purpose is not to be regarded by implication or otherwise in any manner licensing, granting rights to permitting such holder or any other sperson to manufacture, use or sell any product, process or design, patented or otherwise, that may in any way be related to or disclosed by said drawings, specifications, or other data.	CONFIGURATION LEVEL:	APPROVED S. HSIEH	DATE 11-Jun-12	SCALE: 3.0:1.0	SHEET 2 OF 2
	FINISH	CAD FILE	DWG SIZE B	REV N	DRAWING NO. 4400
				PART NO. 4400	