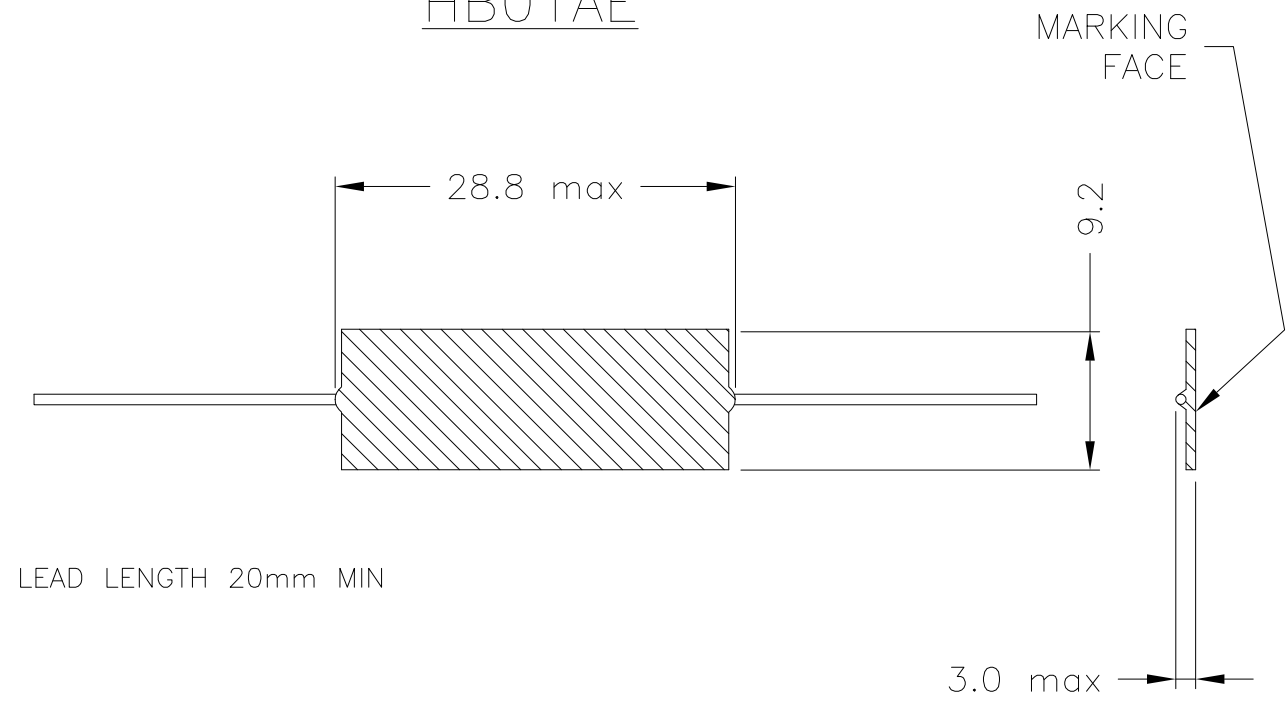


THIS DRAWING IS UNPUBLISHED. RELEASED FOR PUBLICATION  
 © COPYRIGHT - By - ALL RIGHTS RESERVED.

LOC	DIST	REVISIONS			
P	LTR	DESCRIPTION	DATE	DWN	APVD
	B1	REVISED PER ECO-11-005150	21MAR11	RK	HMR

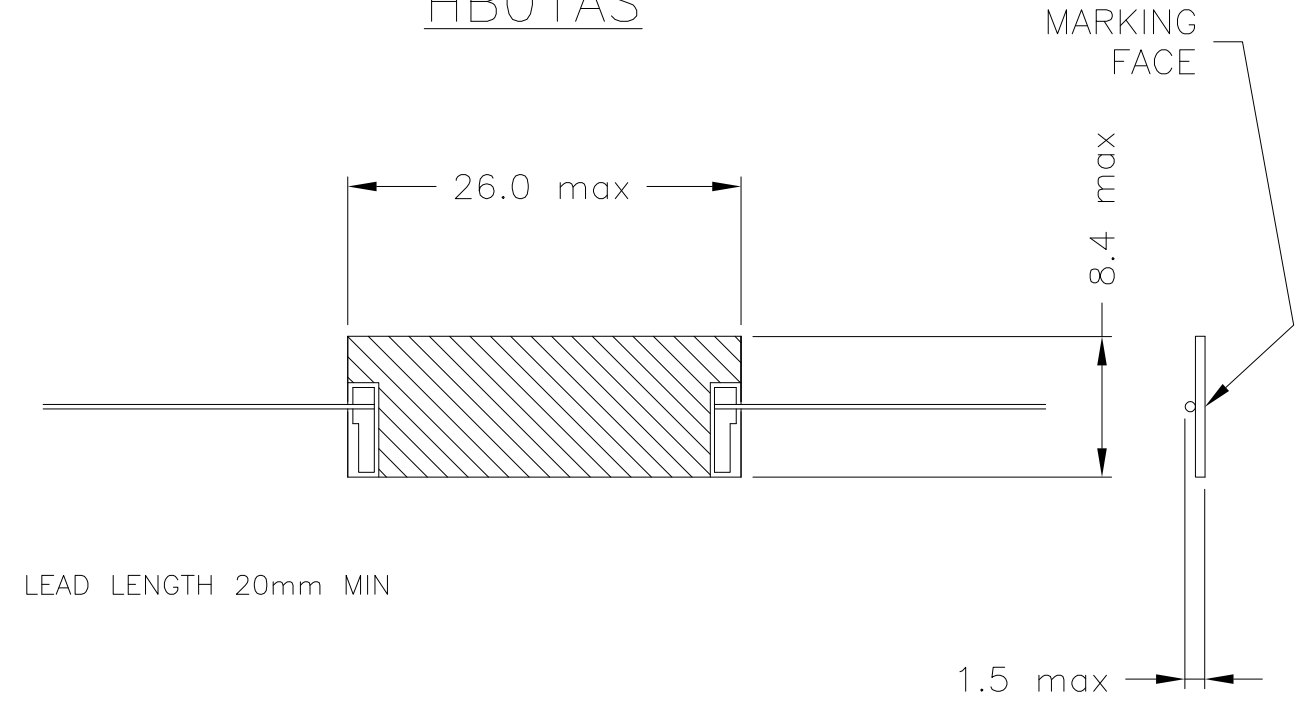
### HB01AE



DESCRIPTION: HIGH VOLTAGE THICK FILM RESISTOR.  
 LEAD MATERIAL: TINNED COPPER WIRE  
 LEAD CROSS-SECTION: 0.6 +/-0.5 DIA  
 HYBRID PROTECTION: CONFORMAL EPOXY COATING  
 MARKING: AS SHOWN BELOW ON MARKING FACE

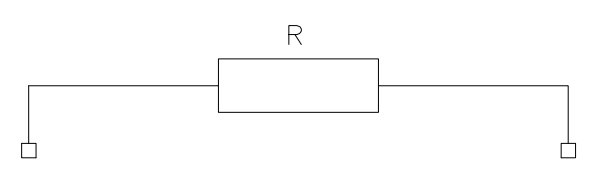
HB01A  
 VAL. TOL. TCR  
 DATE CODE

### HB01AS



DESCRIPTION: HIGH VOLTAGE THICK FILM RESISTOR.  
 LEAD MATERIAL: TINNED COPPER WIRE  
 LEAD CROSS-SECTION: 0.6 +/-0.5 DIA  
 HYBRID PROTECTION: SCREEN PRINTED SILICONE COATING  
 MARKING: AS SHOWN BELOW ON MARKING FACE

HB01A  
 VAL. TOL. TCR  
 DATE CODE



TYPICAL SCHEMATIC

FOR A SPECIFIC PN FOR A RESISTANCE VALUE AND TOLERANCE, PLEASE REFER TO DMF.

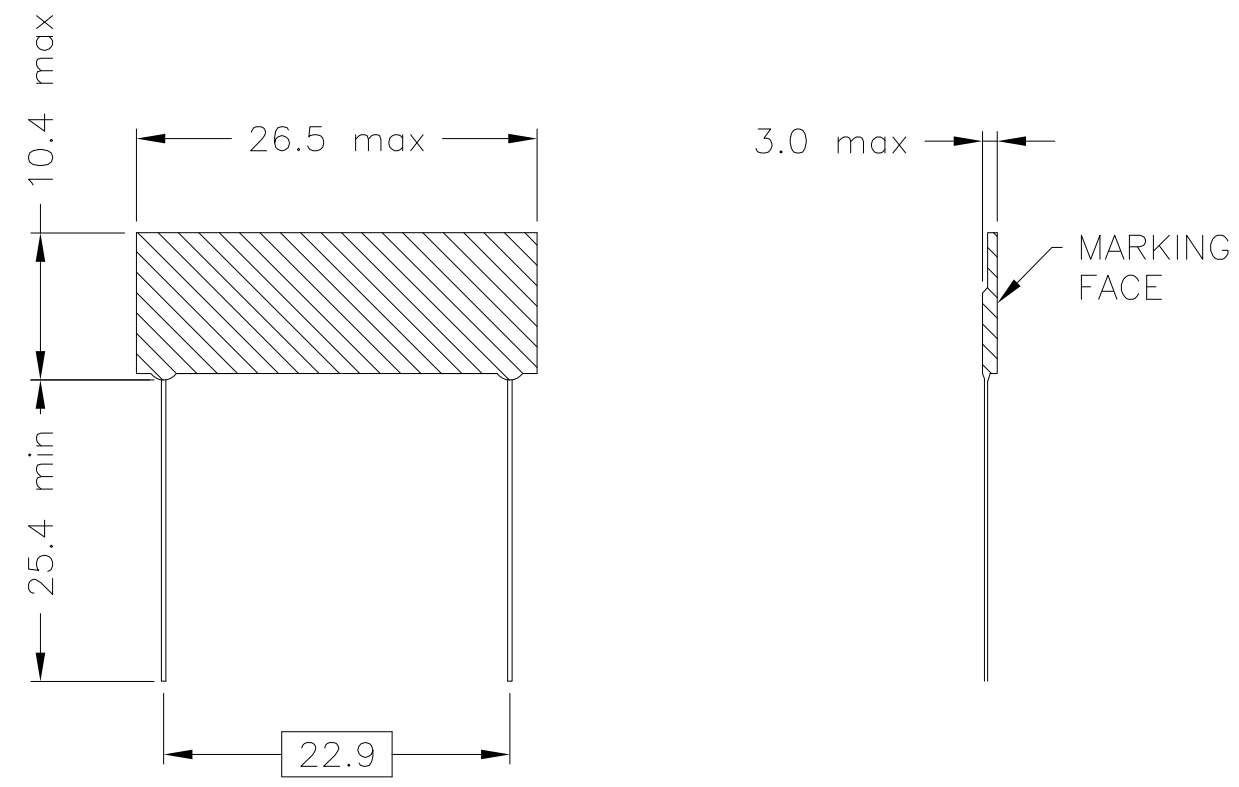
## RoHS Compliant

THIS DRAWING IS A CONTROLLED DOCUMENT.		DWN 31OCT2005 DAVE KENNEDY	<b>STE</b> TE Connectivity		
DIMENSIONS: MM		CHK 01NOV05 J CATCHPOLE			
TOLERANCES UNLESS OTHERWISE SPECIFIED:		APVD 01NOV05 J CATCHPOLE	PRODUCT SPEC		RESTRICTED TO
0 PLC ± -		PRODUCT SPEC	APPLICATION SPEC		SIZE
1 PLC ± -		APPLICATION SPEC	WEIGHT		CAGE CODE
2 PLC ± -		WEIGHT	DRAWING NO		SCALE
3 PLC ± -		CUSTOMER DRAWING	A3 00779		SHEET
4 PLC ± -			G-1625958		1 OF 2
ANGLES ± -					REV
FINISH					B1

THIS DRAWING IS UNPUBLISHED. RELEASED FOR PUBLICATION  
 © COPYRIGHT - By - ALL RIGHTS RESERVED.

LOC	DIST	REVISIONS			
P	LTR	DESCRIPTION	DATE	DWN	APVD
		SEE SHEET 1	-	-	-

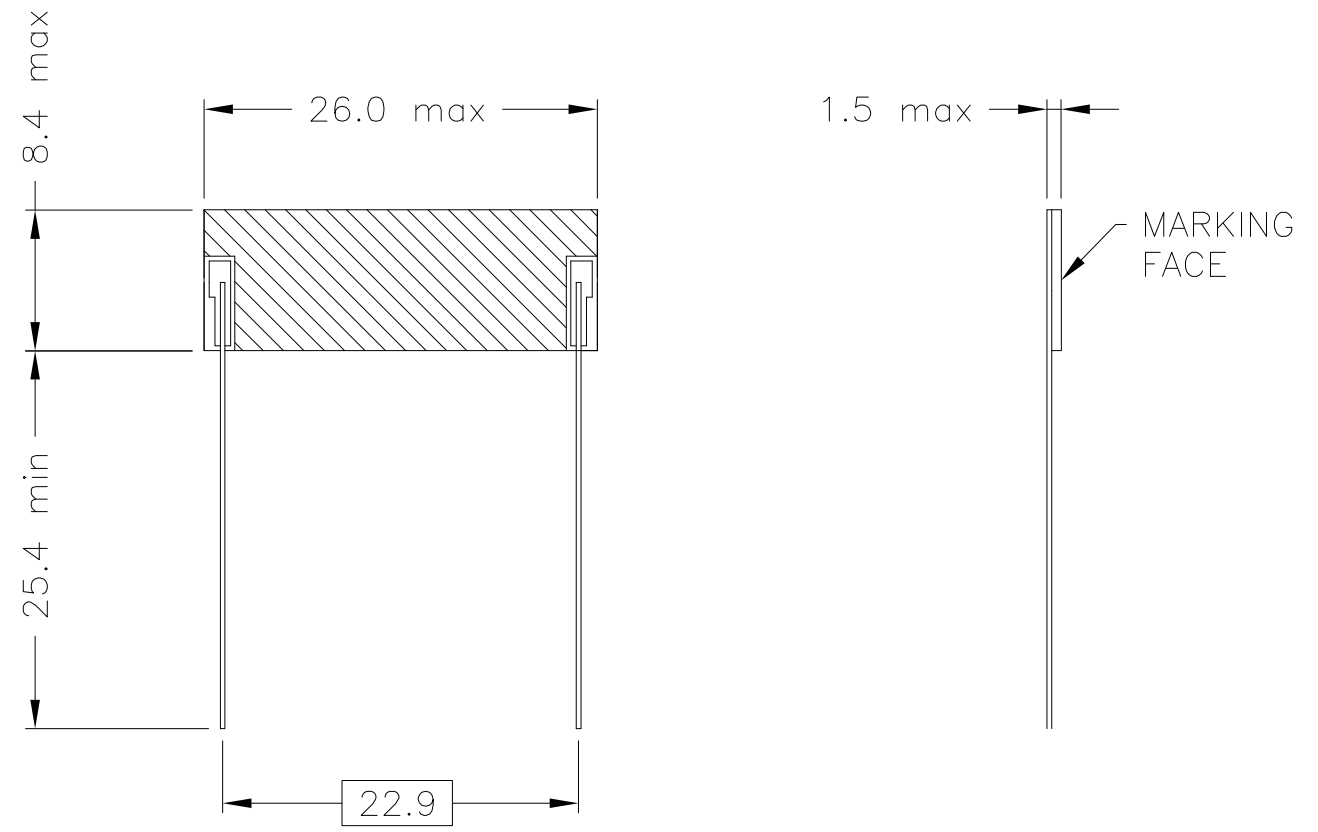
### HB01RE



DESCRIPTION: HIGH VOLTAGE THICK FILM RESISTOR.  
 LEAD MATERIAL: TINNED COPPER WIRE  
 LEAD CROSS-SECTION: 0.6 +/-0.5 DIA  
 HYBRID PROTECTION: CONFORMAL EPOXY COATING  
 MARKING: AS SHOWN BELOW ON MARKING FACE

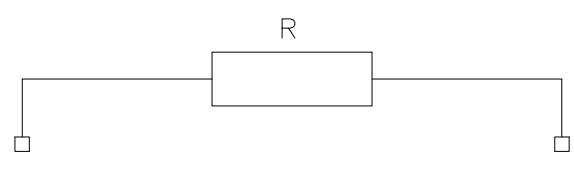
HB01R  
 VAL. TOL. TCR  
 DATE CODE

### HB01RS



DESCRIPTION: HIGH VOLTAGE THICK FILM RESISTOR.  
 LEAD MATERIAL: TINNED COPPER WIRE  
 LEAD CROSS-SECTION: 0.6 +/-0.5 DIA  
 HYBRID PROTECTION: SCREEN PRINTED SILICONE COATING  
 MARKING: AS SHOWN BELOW ON MARKING FACE

HB01R  
 VAL. TOL. TCR  
 DATE CODE



TYPICAL SCHEMATIC

FOR A SPECIFIC PN FOR A RESISTANCE VALUE AND TOLERANCE, PLEASE REFER TO DMF.

## RoHS Compliant

THIS DRAWING IS A CONTROLLED DOCUMENT.		DWN 31OCT2005 DAVE KENNEDY	TE Connectivity		
DIMENSIONS: MM		CHK 01NOV05 J CATCHPOLE			
TOLERANCES UNLESS OTHERWISE SPECIFIED:		APVD 01NOV05 J CATCHPOLE	PRODUCT SPEC -		RESTRICTED TO -
0 PLC ± -		PRODUCT SPEC -	APPLICATION SPEC -		
1 PLC ± -		WEIGHT -	SIZE A3	CAGE CODE 00779	DRAWING NO C-1625958
2 PLC ± -		MATERIAL -	SCALE NTS		SHEET 2 OF 2
3 PLC ± -			REV B1		
4 PLC ± -		CUSTOMER DRAWING			
ANGLES ± -		FINISH -			