



## Main

Range of product	OsiSense XU
Series name	Application packaging
Electronic sensor type	Photo-electric sensor
Sensor name	XUV
Sensor design	Fork
Detection system	Thru beam
Emission	Infrared
Type of setting	With
Passage width	0.12 in (3 mm)
Passage depth	1.57 in (40 mm)
Material	PA (polyamide) 12
Supply circuit type	DC
Wiring technique	4-wire
Discrete output type	NPN
Discrete output function	1 NO or 1 NC programmable
Electrical connection	1 male connector M8, 4 pins
Product specific application	Detection of labels
[Sn] nominal sensing distance	0.12 in (3 mm) thru beam

## Complementary

Setting-up	Numeric potentiometer
Enclosure material	Polyamide
Lens material	PC
Accuracy	+/- 0.05 mm at 150 m/min
Label length	>= 0.08 in (2 mm)
Distance between labels	>= 0.08 in (2 mm)
Passing speed of object	<= 200 m/min (200 m/min)
Type of output signal	Discrete
Output type	Solid state
Status LED	1 LED (red) adjustment mode and keypad locking 1 LED (yellow) output state
[Us] rated supply voltage	12...24 V DC with reverse polarity protection
Supply voltage limits	10...30 V DC
Switching capacity in mA	<= 100 mA (overload and short-circuit protection)
Switching frequency	<= 10 kHz
Voltage drop	<= 2 V (closed state)
Delay first up	<= 30 ms
Delay response	< 0.1 ms
Delay recovery	< 0.1 ms
Depth	2.52 in (64 mm)
Height	0.98 in (25 mm)
Width	0.39 in (10 mm)
Product weight	0.08 lb(US) (0.035 kg)

## Environment

product certifications	CE CULus
ambient air temperature for operation	-4...140 °F (-20...60 °C)

The information provided in this documentation contains general descriptions and/or technical characteristics of the products contained herein. This documentation is not intended as a substitute for and is not to be used for determining suitability or reliability of these products for specific user applications. It is the duty of any such user or integrator to perform the appropriate and complete risk analysis, evaluation and testing of the products with respect to the relevant specific application or use thereof. Neither Schneider Electric Industries SAS nor any of its affiliates or subsidiaries shall be responsible or liable for misuse of the information contained herein.

ambient air temperature for storage	-22...176 °F (-30...80 °C)
vibration resistance	7 gn, amplitude = +/- 1.5 mm (f = 10...55 Hz) conforming to IEC 60068-2-6
shock resistance	30 gn (duration = 11 ms) conforming to IEC 60068-2-27
IP degree of protection	IP65 conforming to IEC 60529

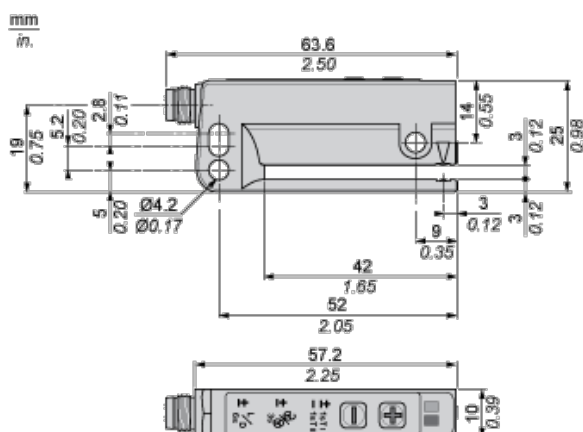
## Offer Sustainability

Not Green Premium product	Not Green Premium product
Compliant - since 1127 - Schneider Electric declaration of conformity	Compliant - since 1127 - Schneider Electric declaration of conformity
Reference not containing SVHC above the threshold	Reference not containing SVHC above the threshold
WARNING: This product can expose you to chemicals including:	WARNING: This product can expose you to chemicals including:
Diisononyl phthalate (DINP), which is known to the State of California to cause cancer, and	Diisononyl phthalate (DINP), which is known to the State of California to cause cancer, and
Di-isodecyl phthalate (DIDP), which is known to the State of California to cause birth defects or other reproductive harm.	Di-isodecyl phthalate (DIDP), which is known to the State of California to cause birth defects or other reproductive harm.
For more information go to <a href="http://www.p65warnings.ca.gov">www.p65warnings.ca.gov</a>	For more information go to <a href="http://www.p65warnings.ca.gov">www.p65warnings.ca.gov</a>

## Contractual warranty

Warranty period	18 months
-----------------	-----------

## Dimensions



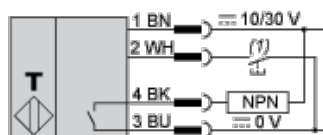
## Wiring Schemes

### Connector



- 1 : BN: Brown
- 2 : WH: White (remote teaching)
- 3 : BU: Blue
- 4 : BK: Black)

### NPN Function



- (1) Remote teaching