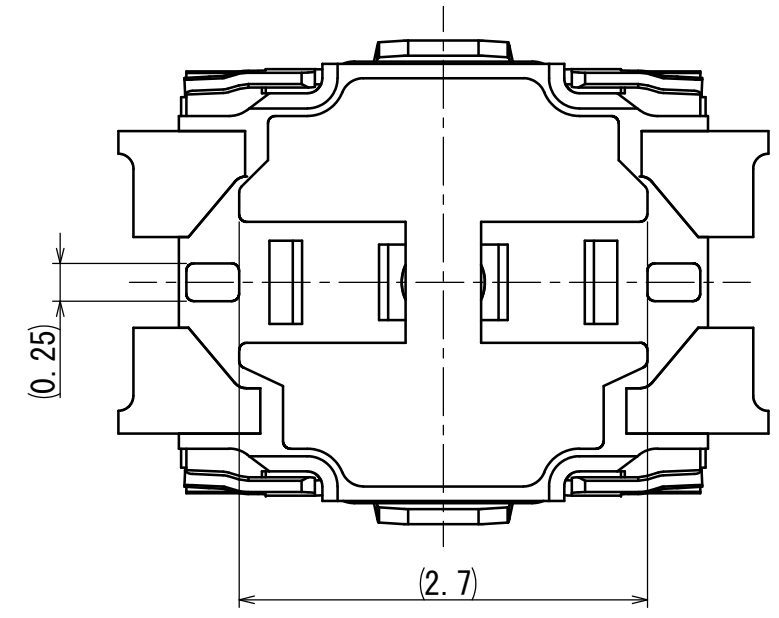
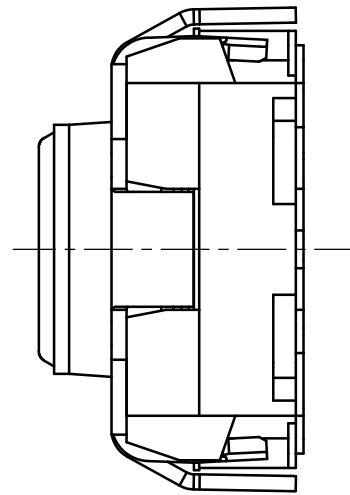
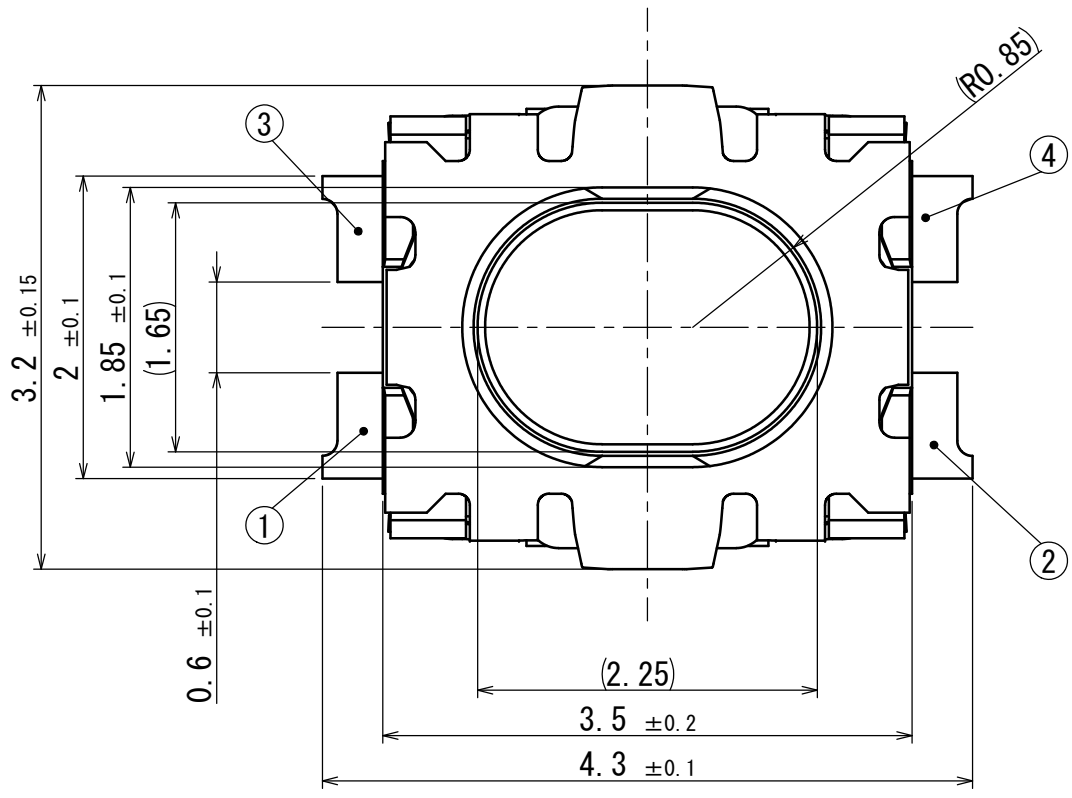
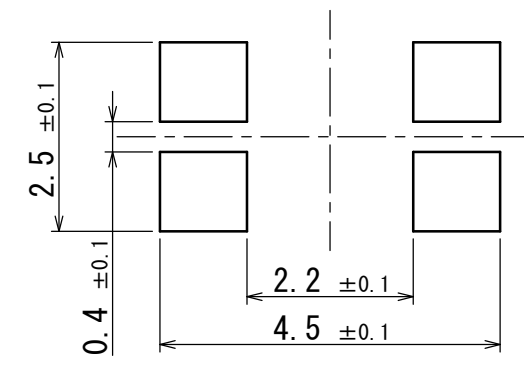
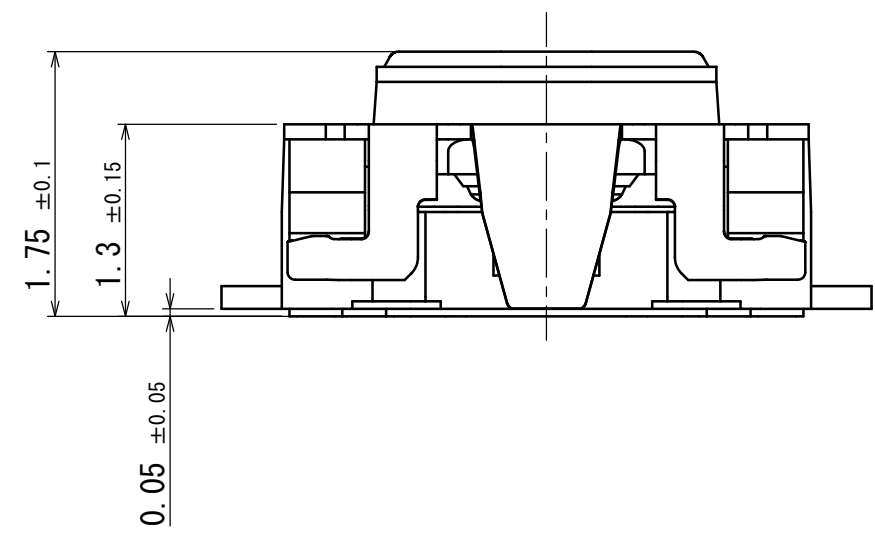
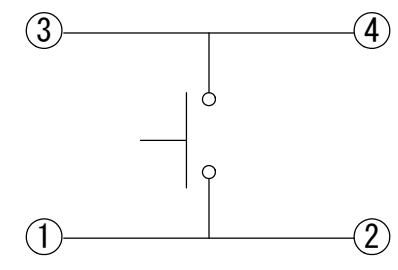


SYMB REVISIONS



PRINTED WIRING BOARD
MOUNTING PATTERN DIMENSION
プリント基板取り付けパターン図 (10:1)
(WHEN VIEWED FROM THE SWITCH MOUNTING FACE)
(スイッチ取り付け面より見る)

CIRCUIT DIAGRAM
回路図



Note: 1.TAPING SPECIFICATION TO BE ACCORDNACE WITH TTH-903.
注記: 1.テーピング包装仕様は、TTH-903に準ずる。

PART NO.	NAME	SPEC	MATERIAL	FINISH
ALPS ELECTRIC CO., LTD.				
		DSGD. 09 Nov. 2015 Eng. C3-1G Y. Yashima	SCALE 20:1	NO. SKTHAEE010
		CHKD. 09 Nov. 2015 Eng. C3-1G H. Kozuma		TITLE PRODUCT DRAWING (1/1)
		APPD. 09 Nov. 2015 Eng. C3-1G K. Ozawa	UNIT mm	DOCUMENT NO. SKTHAEE010.1100.32

TOLERANCES UNLESS OTHERWISE SPEC	
BASIC DIMENSIONS	TOLERANCES
UP TO 10	±0.3
ABOVE 10 TO 100	±0.5
ABOVE 100	±0.8
ANGULAR DIMENSION	±3°

SYMB	DATE	APPD	CHKD	DSGD