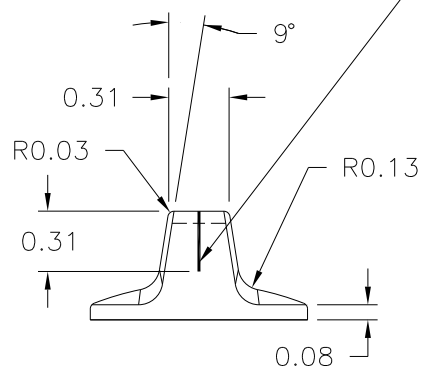
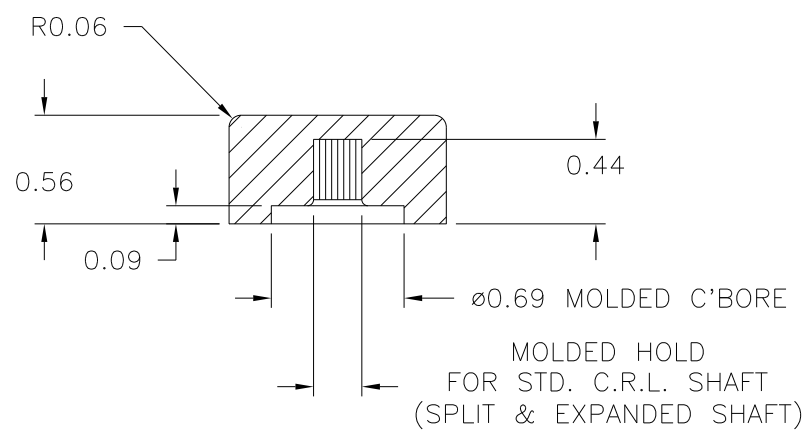


NO SCALE/ FOR REFERENCE

PAD PRINTED INDICATOR LINE (0.020 WIDE) FILLED IN-WHITE.



SECTION A-A



MATERIAL: #2311 PLENCO PHENOLIC (B11)
COLOR: BLACK

TOLERANCES: UNLESS OTHERWISE SPECIFIED	DO NOT SCALE DRAWING				
DECIMALS: X.XXX ± .005 X.XX ± .015	MM: X.XX ± 0.15MM X.X ± 0.4MM	-	UPDATED/HAD TOOLBOX	ST	5/30/01
FRACTIONS ± 1/64	ANG. ± 1°	CHANGES			