





THIS DRAWING IS UNPUBLISHED. RELEASED FOR PUBLICATION 2000
 © COPYRIGHT 2000 BY ALL RIGHTS RESERVED.

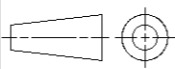
LOC	DIST	REVISIONS			
P	LTR	DESCRIPTION	DATE	DWN	APVD
	B3	REVISED PER ECO-11-005027	06APR11	RK	HMR

CROSS REFERENCE LIST / UEBERSETZUNGSLISTE

TE CONNECTIVITY PART NO.	OLD PART NUMBER	SEE SHEET	TE CONNECTIVITY PART NO.	OLD PART NUMBER	SEE SHEET
1 393 546 - 1	C42315-A1347-A101	2	 1 - 1 393 546 - 1	C42315-A1347-A112	2
1 393 546 - 2	C42315-A1347-A102	2	 1 - 1 393 546 - 2	C42315-A1347-A116	2
1 393 546 - 3	C42315-A1347-A103	2	1 - 1 393 546 - 3	C42315-A1347-A124	2
1 393 546 - 4	C42315-A1347-A104	2	1 - 1 393 546 - 4	C42315-A1347-A201	3
1 393 546 - 5	C42315-A1347-A105	2	1 - 1 393 546 - 5	C42315-A1347-A202	3
 1 393 546 - 6	C42315-A1347-A106	2	1 - 1 393 546 - 6	C42315-A1347-A203	3
1 393 546 - 7	C42315-A1347-A107	2	1 - 1 393 546 - 7	C42315-A1347-A204	3
1 393 546 - 8	C42315-A1347-A108	2	 1 - 1 393 546 - 8	C42315-A1347-A205	3
1 393 546 - 9	C42315-A1347-A109	2	1 - 1 393 546 - 9	C42315-A1347-A208	3
1 - 1 393 546 - 0	C42315-A1347-A110	2	2 - 1 393 546 - 0	C42315-A1347-A212	3

ERSETZT EC-ZEICHNUNG C42315-A1347-A1***-27 BL. 1 UND 2
 UND C42315-A1347-A2***-27 BL. 1

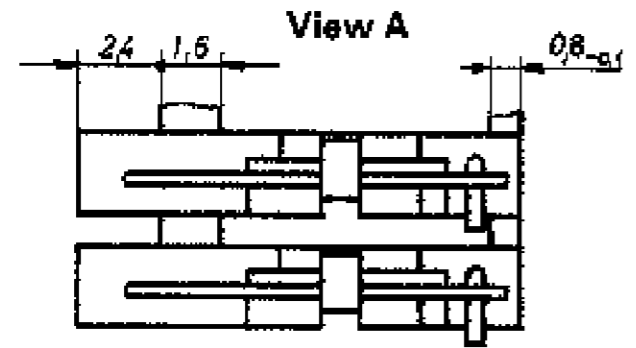
 OBSOLETE PARTS: OBSOLETE CIS STREAMLINING PER D.RENAUD/D.SINISI

DIMENSIONS:	TOLERANCES UNLESS OTHERWISE SPECIFIED:
mm	0 PLC ±
	1 PLC ±
	2 PLC ±
	3 PLC ±
	4 PLC ±
	ANGLES ±°
MATERIAL -	FINISH -

DWN 24 JAN 2001 G. ACKERMANN	OBSELETE TE Connectivity NOT the LATEST REVISION
CHK M. SCHLEIHAUF	
APVD G. FELDMEIER	
PRODUCT SPEC	
APPLICATION SPEC	NAME
WEIGHT -	SIZE A3
CUSTOMER DRAWING	CAGE CODE 00779
SCALE 1:1	DRAWING NO. C=1393546-1
SHEET 1 OF 3	RESTRICTED TO
REV B3	

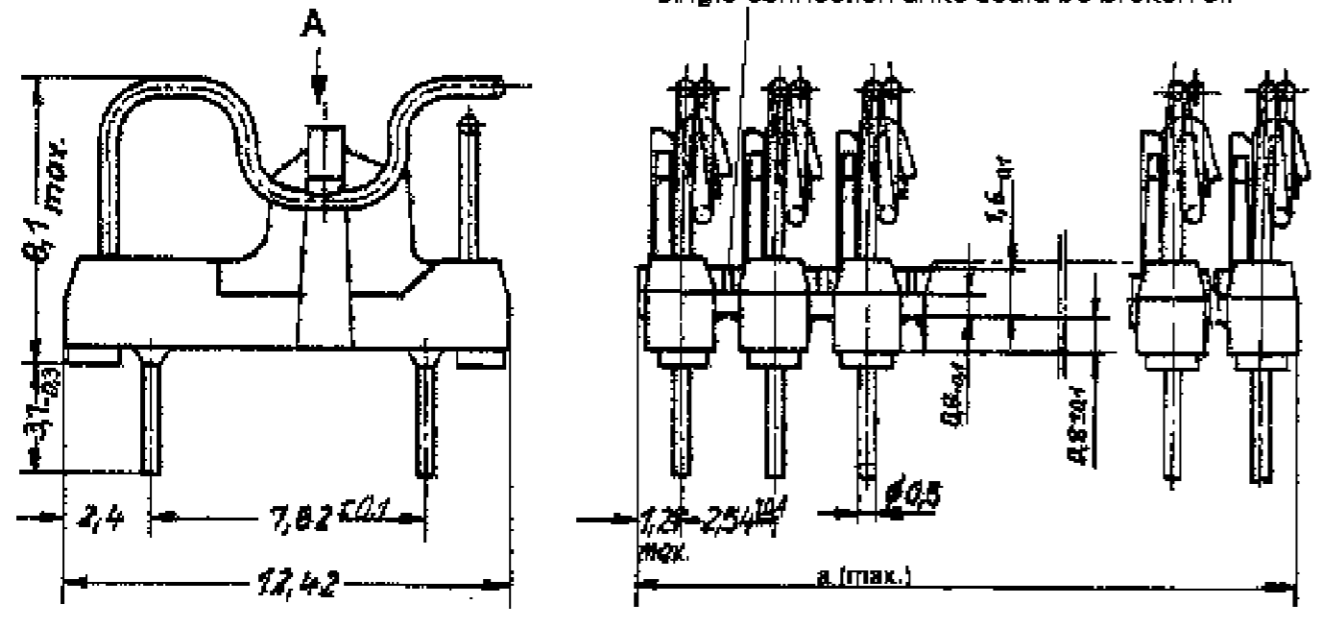
THIS DRAWING IS UNPUBLISHED. RELEASED FOR PUBLICATION 2000
 © COPYRIGHT 2000 BY ALL RIGHTS RESERVED.

LOC	DIST	REVISIONS					
		P	LTR	DESCRIPTION	DATE	DWN	APVD
A1	-	-	-	SEE SHEET 1	-	-	-

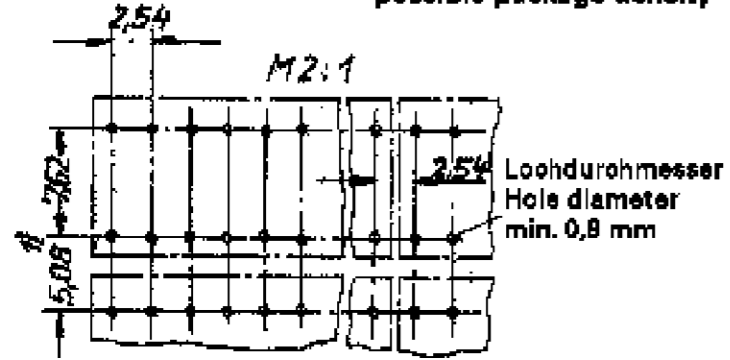


1) Beim Kleinmaß 5,08 müssen die Schalter spiegelbildlich montiert werden
 In the case of dim. 5,08 the switches have to be mounted rear side to rear side

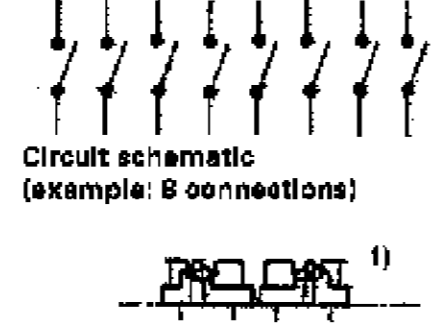
Sallbruchstellen, einzelne Verbindungen abtrennbar
 Predetermined breaking point, single connection units could be broken off



Rasterlochung u. Packungsdichte
 Mounting holes and possible package density



Schaltschema
 (Beispiel: B Verbindungsmöglichkeit)



2
2
2

TE CONNECTIVITY PART NO.	OLD PART NUMBER	DIMENSION a	POSITION NUMBER POLZAHL
1 393 546 - 1	C 42315-A1347-A101	2.54	1
1 393 546 - 2	C 42315-A1347-A102	5.08	2
1 393 546 - 3	C 42315-A1347-A103	7.62	3
1 393 546 - 4	C 42315-A1347-A104	10.16	4
1 393 546 - 5	C 42315-A1347-A105	12.7	5
1 393 546 - 6	C 42315-A1347-A106	15.24	6
1 393 546 - 7	C 42315-A1347-A107	17.78	7
1 393 546 - 8	C 42315-A1347-A108	20.32	8
1 393 546 - 9	C 42315-A1347-A109	22.86	9
1 - 1 393 546 - 0	C 42315-A1347-A110	25.4	10
1 - 1 393 546 - 1	C 42315-A1347-A112	30.48	12
1 - 1 393 546 - 2	C 42315-A1347-A116	40.64	16
1 - 1 393 546 - 3	C 42315-A1347-A124	60.96	24

MATERIAL: PBTP-GF30; COLOUR: NATURE

ERSETZT EC-ZEICHNUNG C42315-A1347-A1**-*-27 BL. 1 UND 2

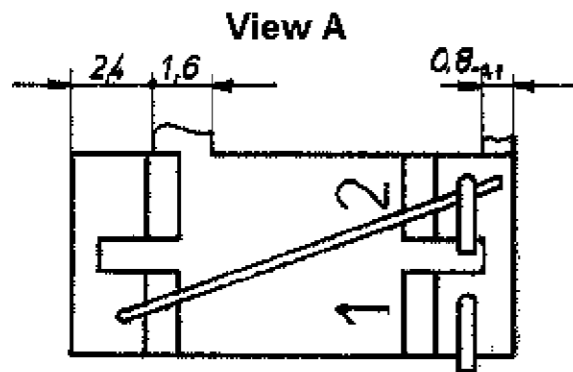
2 OBSOLETE PARTS: OBSOLETE CIS STREAMLINING PER D.RENAUD/D.SINISI

DIMENSIONS:	TOLERANCES UNLESS OTHERWISE SPECIFIED:
mm	
	PL ±
	1 P/C ±
	2 P/C ±0.15
	3 P/C ±
	PL ±
	ANGLES ±1°
MATERIAL	FINISH

DWN G. ACKERMANN 24 JAN 2001	TE Connectivity
CHK M. SCHLEIHAUF	
APVD G. FELDMEIER	NAME DIPFIX - SCHALTER DIPFIX - SWITCH
PRODUCT SPEC	
APPLICATION SPEC	
WEIGHT	RESTRICTED TO
CUSTOMER DRAWING	SCALE 5:1, 2:1 SHEET 2 OF 3 REV B3

THIS DRAWING IS UNPUBLISHED. RELEASED FOR PUBLICATION 2000
 © COPYRIGHT 2000 BY ALL RIGHTS RESERVED.

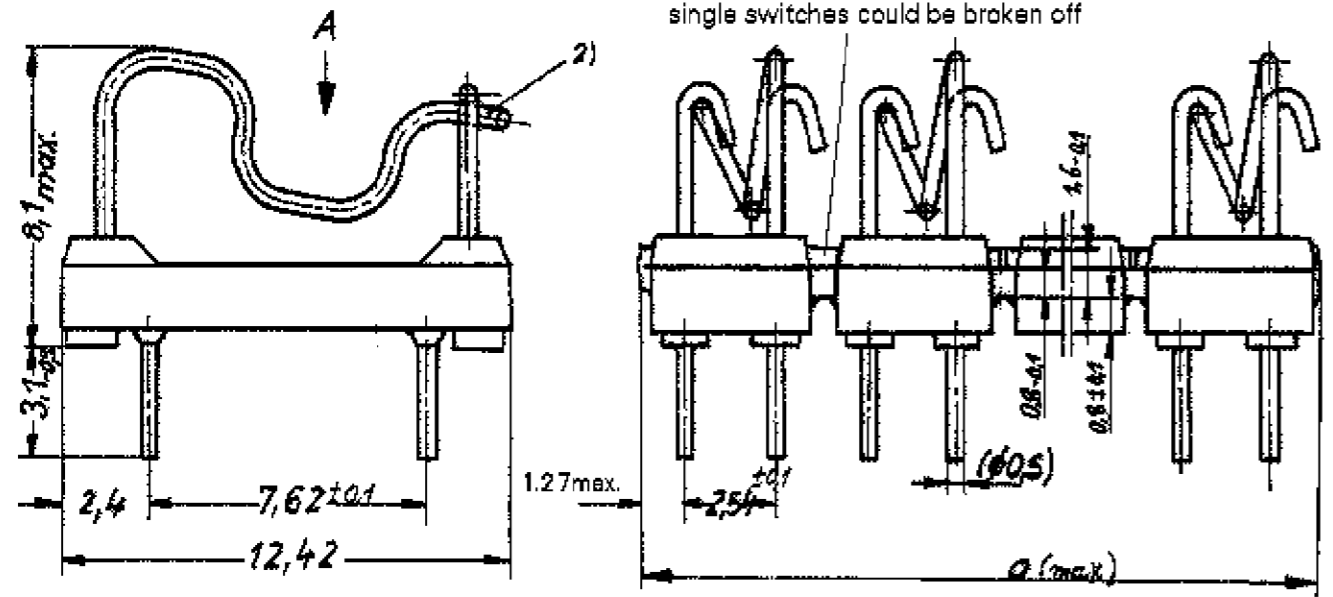
LOC	DIST	REVISIONS					
		P	LTR	DESCRIPTION	DATE	DWN	APVD
A1	-	-	-	SEE SHEET 1	-	-	-



1) Beim Kleinmaß 5,08 müssen die Schalter spiegelbildlich montiert werden
 In the case of dim. 5,08 the switches have to be mounted rear side to rear side

2) ausgeliefert in ausgehaktm Zustand
 delivered in unlocked condition

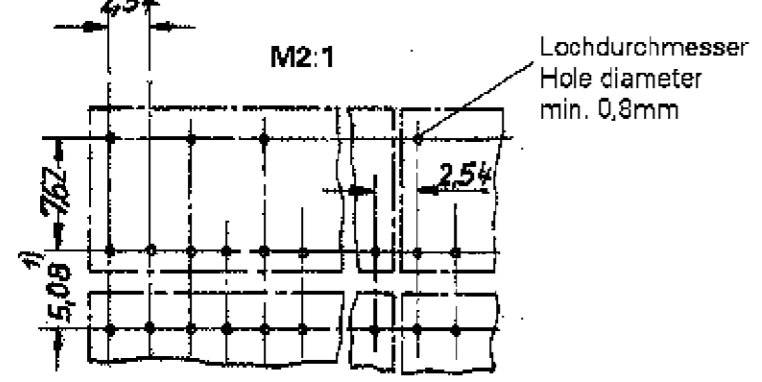
Sollbruchstellen, einzelne Schalter abtrennbar
 Predetermined breaking point, single switches could be broken off



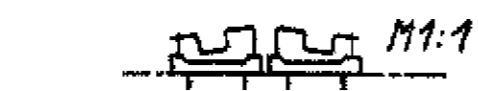
2

TE CONNECTIVITY PART NO.	OLD PART NUMBER	DIMENSION a	POSITION NUMBER POLZAHL
1 - 1 393 546 - 4	C42315-A1347-A201	5.08	1
1 - 1 393 546 - 5	C42315-A1347-A202	10.16	2
1 - 1 393 546 - 6	C42315-A1347-A203	15.24	3
1 - 1 393 546 - 7	C42315-A1347-A204	20.32	4
1 - 1 393 546 - 8	C42315-A1347-A205	25.4	5
1 - 1 393 546 - 9	C42315-A1347-A208	40.64	8
2 - 1 393 546 - 0	C42315-A1347-A212	60.96	12

Rasterlochung und Packungsdichte
 Mounting holes and possible package density



Schaltschema (Beispiel: 4 Umschalter)



ERSETZT EC-ZEICHNUNG C42315-A1347-A2***-27 BL.1

2 OBSOLETE PARTS: OBSOLETE CIS STREAMLINING PER D.RENAUD/D.SINISI

DIMENSIONS:	TOLERANCES UNLESS OTHERWISE SPECIFIED:
mm	0 PLC ±
	1 PLC ±
	2 PLC ±
	3 PLC ±
	4 PLC ±
	ANGLES ±°
MATERIAL	FINISH

DWN	24 JAN 2001
CHK	G. ACKERMANN
APVD	M. SCHLEIHAUF
APVD	G. FELDMAYER
PRODUCT SPEC	-
APPLICATION SPEC	-
WEIGHT	-
CUSTOMER DRAWING	-

TE TE Connectivity

NAME: DIPFIX - SCHALTER
DIPFIX - SWITCH

SIZE	CAGE CODE	DRAWING NO	RESTRICTED TO
A3	00779	C=1393546-1	-

SCALE: 5:1, 2:1 SHEET 3 OF 3 REV B3