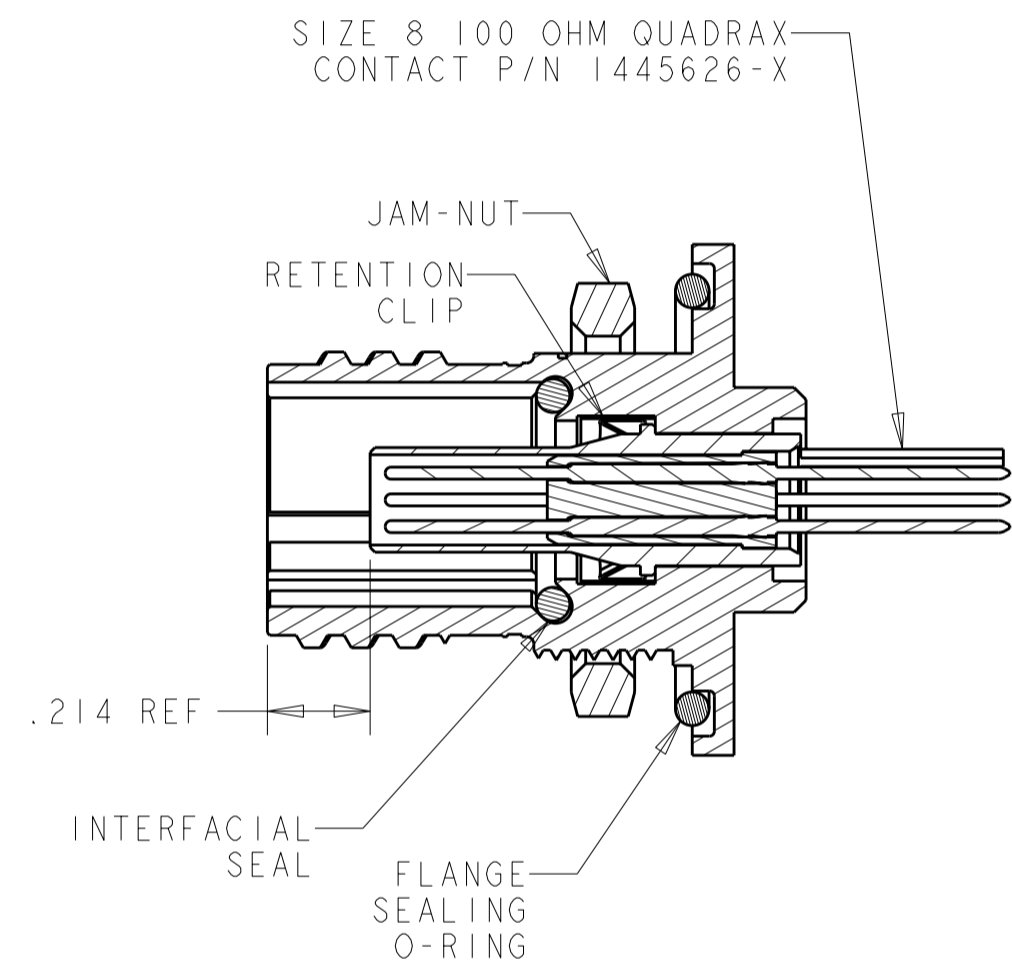
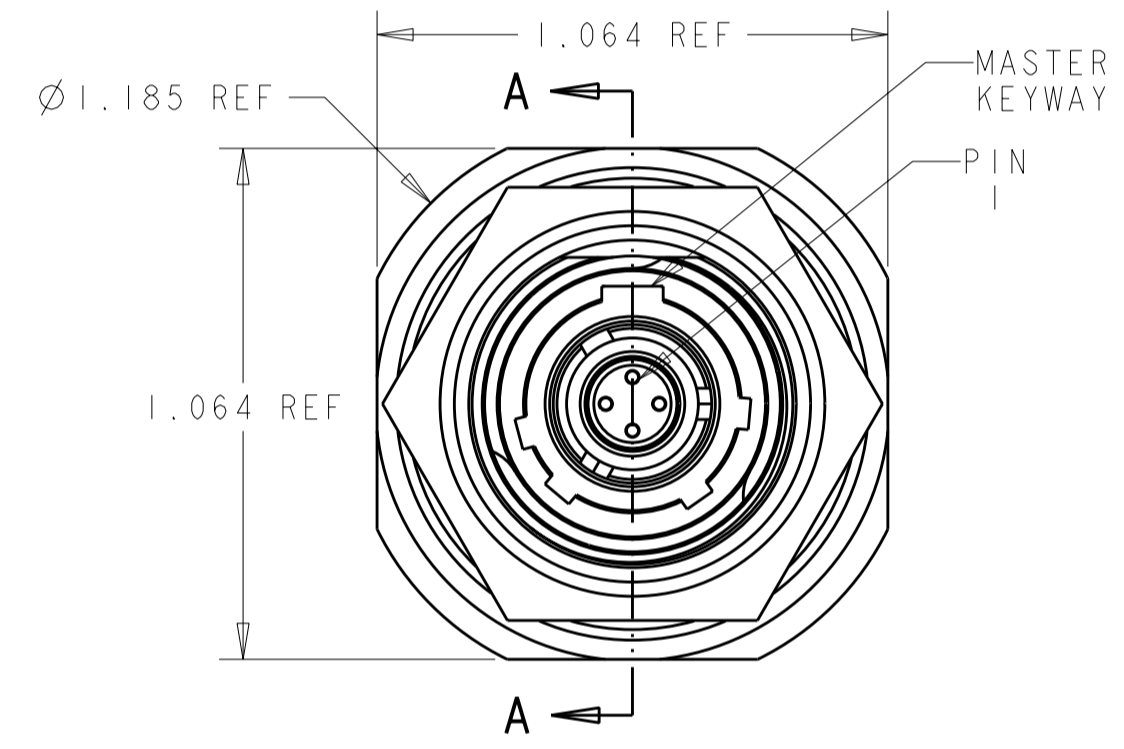
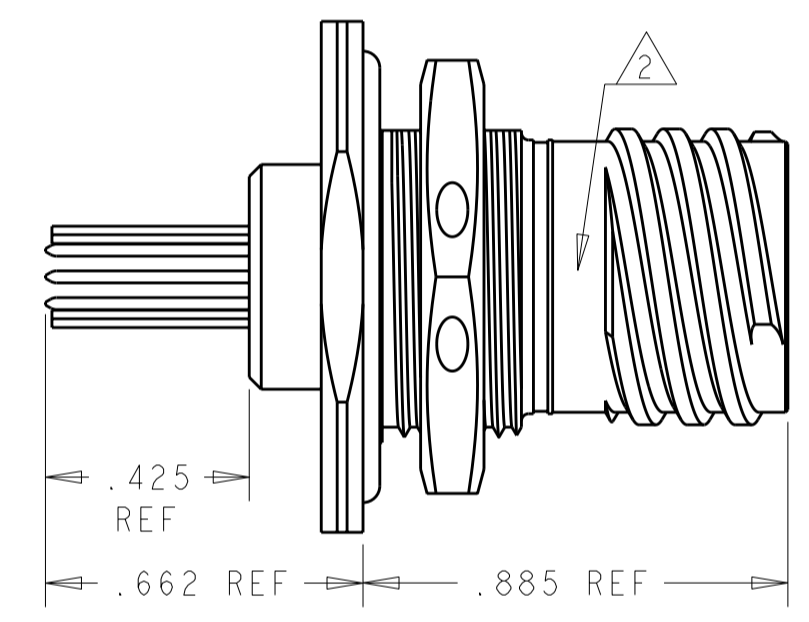
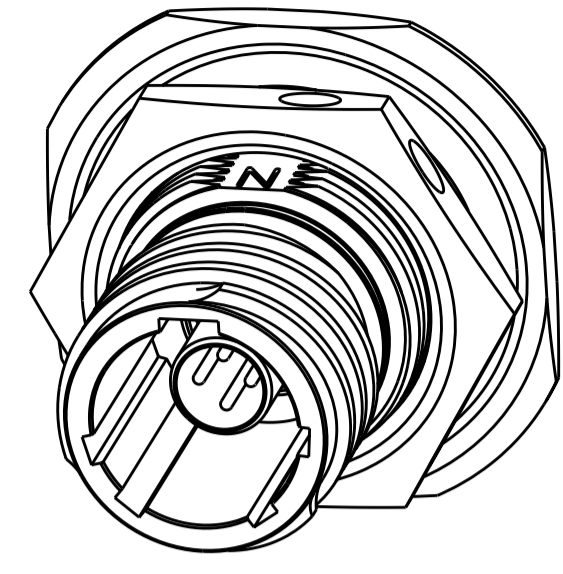


THIS DRAWING IS UNPUBLISHED. RELEASED FOR PUBLICATION 20  
 © COPYRIGHT 20 BY - ALL RIGHTS RESERVED.

LOC		DIST		REVISIONS			
P	LTR	DESCRIPTION	DATE	DWN	APVD		
	A	REV PER ECO 11-004015	3-30-11	CT	DM		

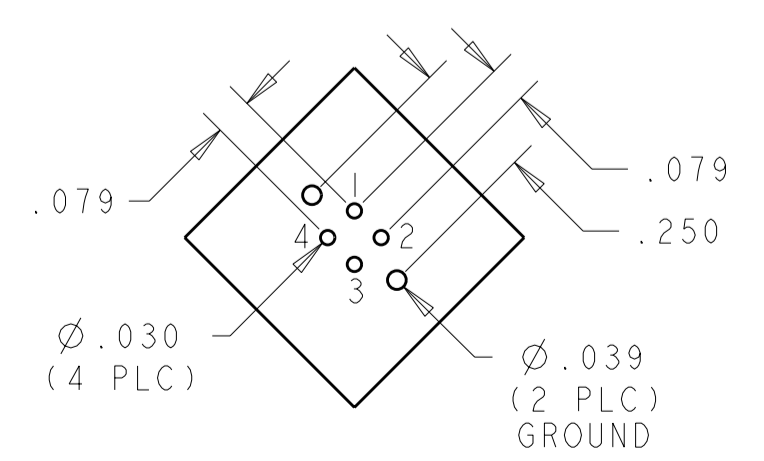
- 1 MATERIAL AND FINISH:  
 — CONNECTOR SHELL - NICKEL PLATED ALUMINUM  
 — QUADRAX RETENTION CLIP - SILVER PLATED STAINLESS STEEL  
 — JAM-NUT - NICKEL PLATED ALUMINUM  
 — QUADRAX CONNECTOR - GOLD PLATED COPPER ALLOY AND BRASS, AND THERMOPLASTIC  
 — FLANGE SEALING O-RING - FLUOROSILICONE RUBBER  
 — INTERFACIAL SEAL - FLUOROSILICONE RUBBER

2 TYCO ELECTRONICS LOGO OR TE



SECTION A-A

SOLDERTAIL LENGTHS APPLY TO QUADRAX CONTACT 1445626-2 ONLY



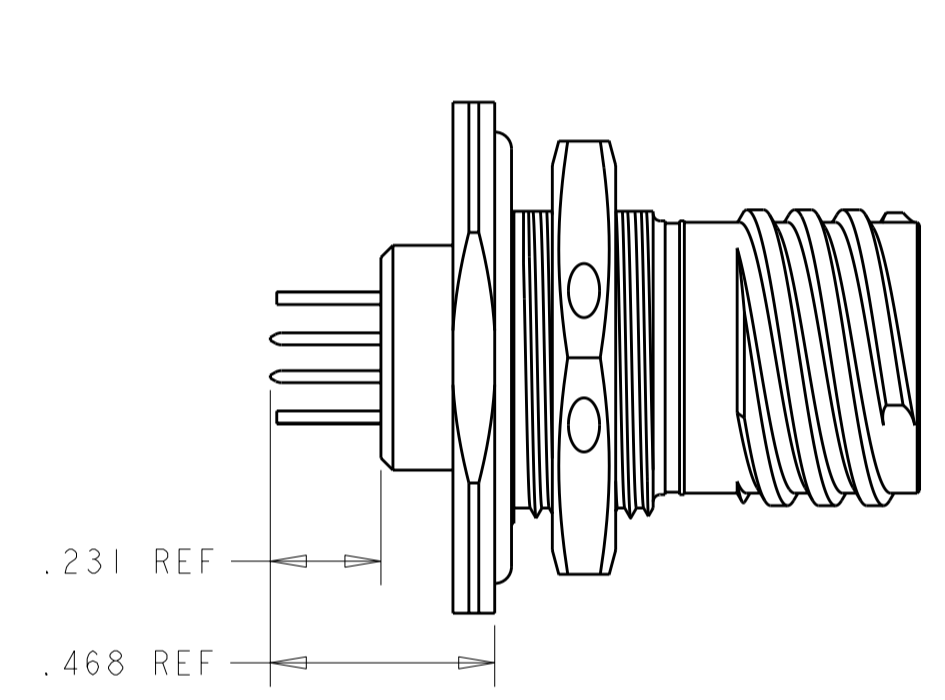
PCB LAYOUT 1738916-1, 2, AND 3

1445626-1	SEE SHEET 2	"B" KEY	1738916-6
1445626-1	SEE SHEET 2	"A" KEY	1738916-5
1445626-1	SEE SHEET 2	"N" KEY	1738916-4
1445626-2	SEE SHEET 1	"B" KEY	1738916-3
1445626-2	SEE SHEET 1	"A" KEY	1738916-2
1445626-2	SEE SHEET 1	"N" KEY	1738916-1
QUADRAX CONTACT	QUADRAX CONTACT PIN PATTERN	38999 POLARIZATION	PART NUMBER

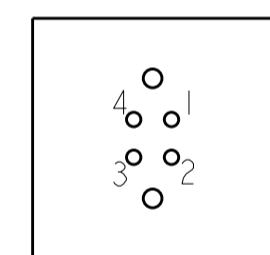
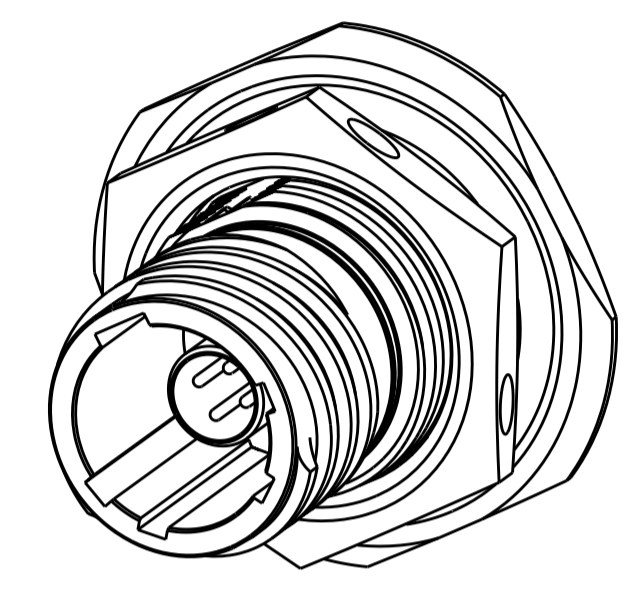
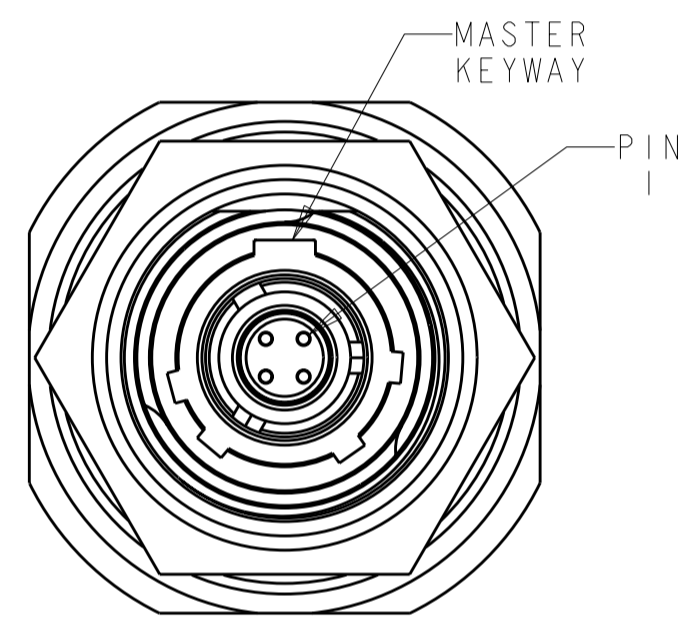
THIS DRAWING IS A CONTROLLED DOCUMENT.		DWN JMS 22APR2004	TE Connectivity
DIMENSIONS: INCHES		CHK WHB 22APR2004	
TOLERANCES UNLESS OTHERWISE SPECIFIED:		APVD WHB 22APR2004	
0 PLC ± 1 PLC ±0.1 2 PLC ±0.01 3 PLC ±0.001 4 PLC ±0.0001 ANGLES ± FINISH		PRODUCT SPEC -	NAME RECEPTACLE, 38999 SERIES III, SIZE 9 JAM-NUT STYLE, SINGLE QUADRAX
MATERIAL		APPLICATION SPEC -	SIZE A200779
		WEIGHT -	DRAWING NO. 1738916
CUSTOMER DRAWING		RESTRICTED TO -	SCALE 1:1 SHEET 1 OF 2 REV A

THIS DRAWING IS UNPUBLISHED.      RELEASED FOR PUBLICATION      20  
 © COPYRIGHT 20      BY      ALL RIGHTS RESERVED.

LOC	DIST	REVISIONS			
P	LTR	DESCRIPTION	DATE	DWN	APVD
-	-	SEE SHEET 1	-	-	-




SOLDERTAIL LENGTHS  
 APPLY TO QUADRAX  
 CONTACT 1445626-1  
 ONLY



PCB ORIENTATION  
 (SEE SHEET 1 FOR DIMENSIONS)

QUADRAX CONTACT ORIENTATION 1738916-4, 5, AND 6

THIS DRAWING IS A CONTROLLED DOCUMENT.		DWN JMS 22APR2004	 TE Connectivity	
DIMENSIONS: INCHES		CHK WHB 22APR2004		
TOLERANCES UNLESS OTHERWISE SPECIFIED:		APVD WHB 22APR2004	NAME RECEPTACLE, 38999 SERIES III, SIZE 9 JAM-NUT STYLE, SINGLE QUADRAX	
0 PLC ±- 1 PLC ±0.1 2 PLC ±0.01 3 PLC ±0.001 4 PLC ±0.0001 ANGLES ±- FINISH		PRODUCT SPEC -	SIZE A200779	DRAWING NO C-1738916
MATERIAL -	WEIGHT -	APPLICATION SPEC -	RESTRICTED TO -	SCALE 5:2
CUSTOMER DRAWING		SHEET 2 OF 2		REV A