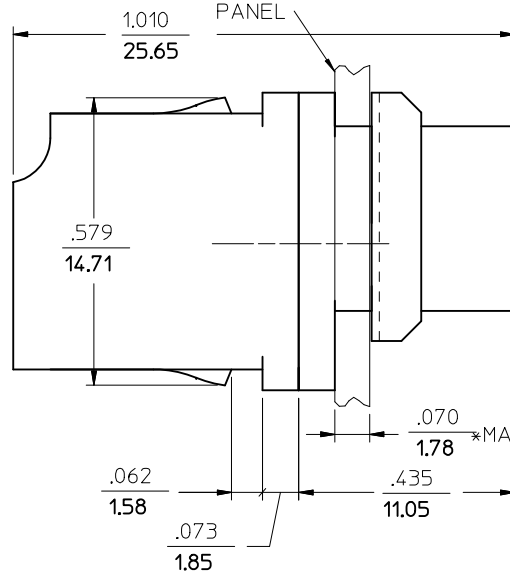
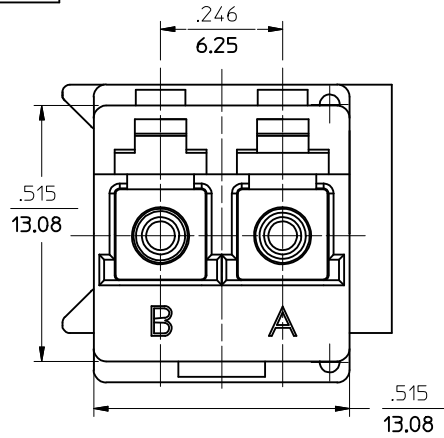
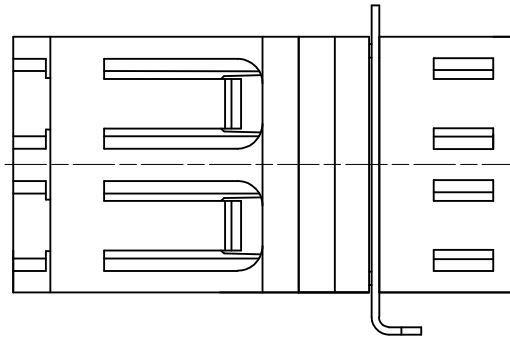
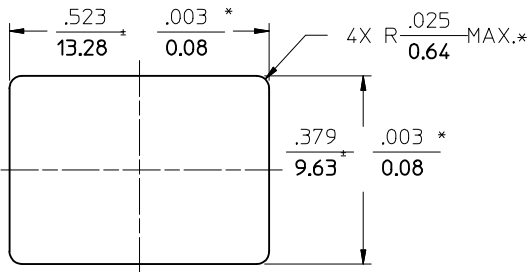
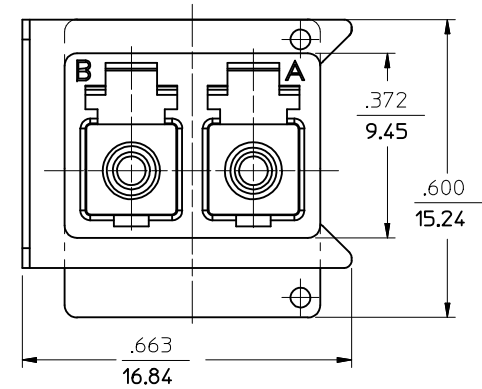


ADAPTER WITH RETAINER P/N	COLOR	SPLIT SLEEVE MATERIAL
106125-1200	BLUE	ZIRCONIA - ZrO ₂
106125-0210	BEIGE	Ph. Bronze
106125-1250	GREEN	ZIRCONIA - ZrO ₂
106125-0200	BLUE	Ph. Bronze
106125-1210	BEIGE	ZIRCONIA - ZrO ₂



(DUST CAPS ARE NOT SHOWN)



RECOMMENDED PANEL CUTOUT
 PANEL THICKNESS $\frac{.070}{1.78}$ MAX.

NOTES:
 1. ALL DIMENSIONS ARE FOR REFERENCE ONLY, EXCEPT WHEN MARKED WITH (*).

ENTER DESCRIPTION EC NO: MF2013-0244 DRW:MKPEVZNER 2012/10/29 CHKD: APPR:IGUMIN 2012/10/31 A1	QUALITY SYMBOLS ▽=0 ▽=0	GENERAL TOLERANCES (UNLESS SPECIFIED) mm INCH 4 PLACES ± --- ± --- 3 PLACES ± --- ± --- 2 PLACES ± --- ± --- 1 PLACE ± --- ± --- 0 PLACE ± ±	DIMENSION STYLE IN/MM DRAWN BY PGIBLIN DATE 2005/10/03 CHECKED BY DATE APPROVED BY DATE	SCALE 4:1 DESIGN UNITS INCH THIRD ANGLE PROJECTION	TITLE LC DUPLEX ADAPTER, LOW PROFILE, WITH RETAINER molex	MATERIAL NO. SEE TABLE	DOCUMENT NO. SD-106125-X2X0	SHEET NO. 1 OF 1		
	ANGULAR ±1/2° DRAFT WHERE APPLICABLE MUST REMAIN WITHIN DIMENSIONS		THIS DRAWING CONTAINS INFORMATION THAT IS PROPRIETARY TO MOLEX INCORPORATED AND SHOULD NOT BE USED WITHOUT WRITTEN PERMISSION							