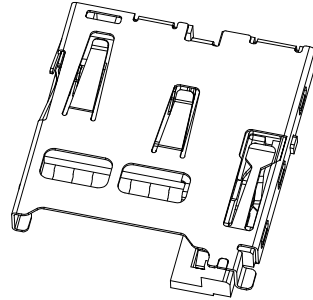


This document is the property of Amphenol Corporation and is delivered on the express condition that it is not to be disclosed, reproduced or used, in whole or in part, for manufacture or sale by anyone other than Amphenol Corporation without its prior consent, and that no right is granted to disclose or to use any information in this document.

The marking on this product doesn't contain environmental hazardous materials per Material Specification SS-00259 for Sony GP compliant or per directive 2011/65/EU for RoHS compliant.

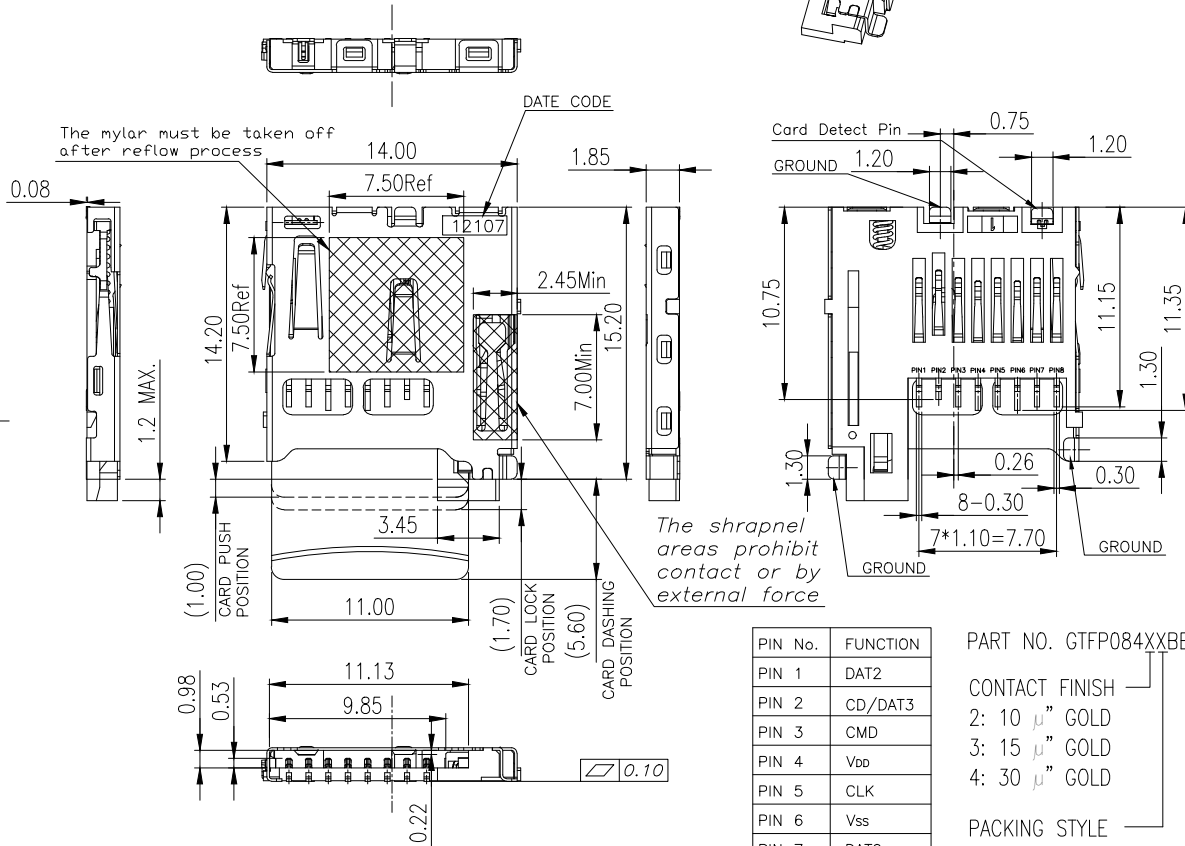
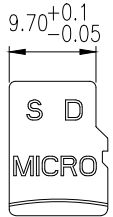
ORIGINAL



REVISIONS				
SYM	ECN No.	DESCRIPTION	DATE	APPROVED
A	NE-12202	UNAPPROVED REVISION	11/13/2012	Arron Lin
B	NE-13080	UPDATE DRAWING	05/24/2013	Arron Lin
C	NE-13101	ADDED DIM AND 30u" GOLD PLATING	07/08/2013	Arron Lin
D	NE-14226	MODIFY DESING FOR PIN2 N/F AND CD PIN RETENTION.	12/23/2014	Arron Lin
E	NE-15134	REMOVE SHELL RIB MEET THE CURRENT	11/03/2015	Arron Lin

NOTES:

- INSULATOR: HIGH TEMPERATURE THERMOPLASTIC, LCP, UL 94V-0, COLOR- BLACK.
- CONTACT: COPPER ALLOY, SELECTIVE GOLD PLATING ON CONTACT AREA, MATTE TIN PLATING 100u" ON SOLDERING AREA.
- SHELL: STEEL (SUS 301), NI PLATING 50u" ON SOLDERING AREA.
- THIS PRODUCT DOESN'T CONTAIN ENVIRONMENTAL HAZARDOUS MATERIALS PER DIRECTIVE 2011/65/EU FOR RoHS.
- RECOMMED SD CARD WIDTH IS DIM 9.70^{+0.1}_{-0.05} FOR TEST.
- PRODUCT SPECIFICATION REFER TO : PS-7500.
- TEST SUMMARY REFER TO : TS-7500-001.



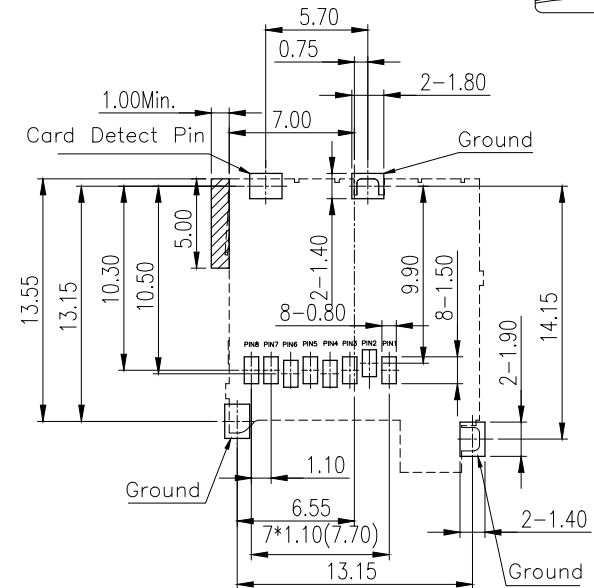
The shrapnel areas prohibit contact or by external force

PIN No.	FUNCTION
PIN 1	DAT2
PIN 2	CD/DAT3
PIN 3	CMD
PIN 4	V _{DD}
PIN 5	CLK
PIN 6	V _{SS}
PIN 7	DAT0
PIN 8	DAT1

PART NO. GTFP084XXBEU

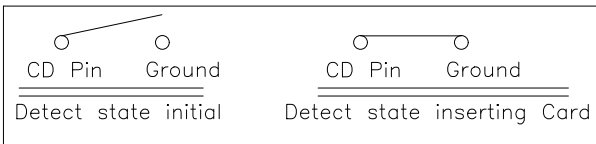
CONTACT FINISH
 2: 10 μ" GOLD
 3: 15 μ" GOLD
 4: 30 μ" GOLD

PACKING STYLE
 1: W/O MYLAR T&R
 2: W/ MYLAR T&R



□ RECOMMENDED SOLDER PAD AREA
 ▨ DEVICE KEEP OUT AREA

RECOMMENDED PCB LAYOUT
 <ALL TOLERANCE ARE ±0.05mm>
 TOP VIEW



TOLERANCE	APPROVALS	DATE	TITLE		Amphenol®	
X. ±0.30	DRAWN Debby Hung	11/03/2015	MICRO SD NORMAL OPEN TYPE (HEIGHT IS 1.85 MM)		Amphenol Corporation Amphenol Taiwan Corporation	
X.X ±0.20						
X.XX ±0.10	CHECKED Roger Tsai	11/03/2015				
ANGULAR ±1°	APPROVED Arron Lin	11/03/2015	UNIT mm	SIZE A3	PART No. GTFP084XXBEU	
UNLESS OTHERWISE SPECIFIED	DWG TYPE CUST DWG	PROJECT CODE OTHER	SCALE NA	SHEET 1 OF 2	DWG No. GTFP084XXBEU	REV. E

This document is the property of Amphenol Corporation and is delivered on the express condition that is not to be disclosed, reproduced or used, in whole or in part, for manufacture or sale by anyone other than Amphenol Corporation without its prior consent, and that no right is granted to disclose or to use any information in this document.

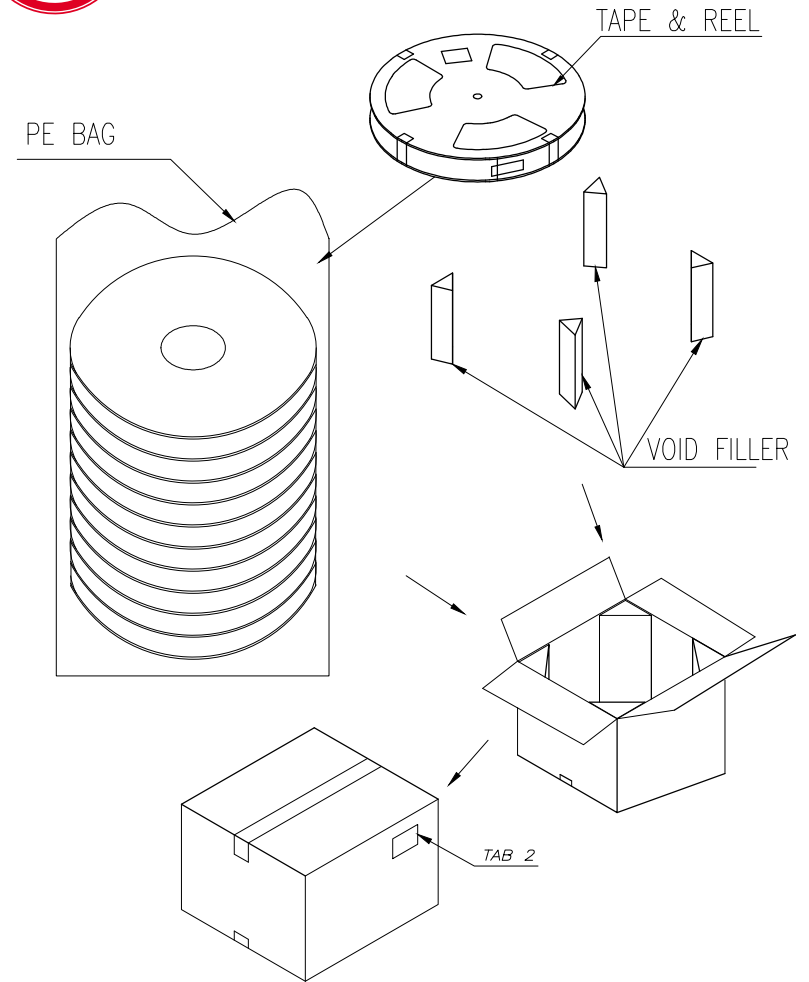
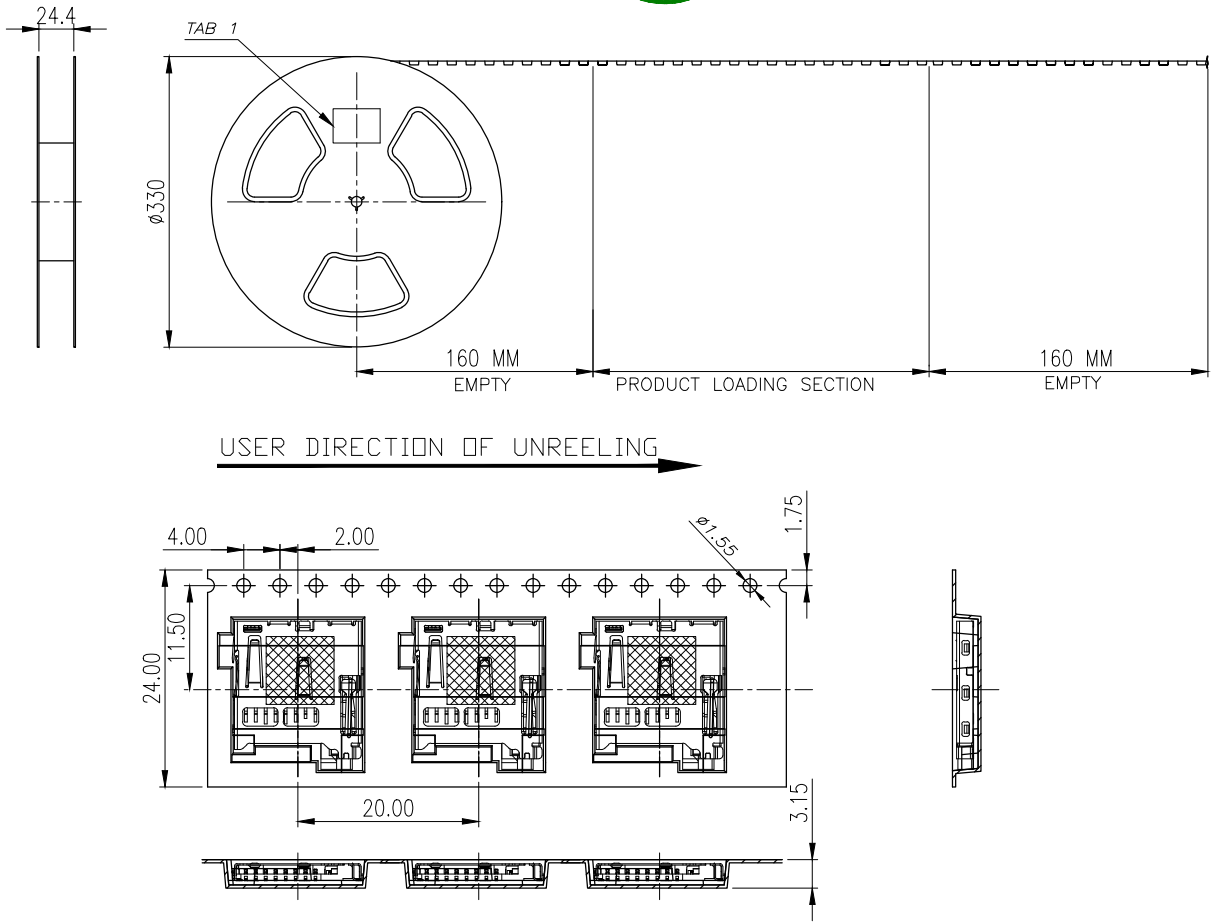
The marking on this product doesn't contain environmental hazardous materials per Material Specification SS-00259 for Sony GP compliant or per directive 2011/65/EU for RoHS compliant.



ORIGINAL



REVISIONS				
SYM	ECN No.	DESCRIPTION	DATE	APPROVED
A	NE-12202	UNAPPROVED REVISION	11/13/2012	Arron Lin
B	NE-13080	UPDATE DRAWING	05/24/2013	Arron Lin
C	NE-13101	ADDED DIM AND 30 μ GOLD PLATING	07/08/2013	Arron Lin
D	NE-14226	MODIFY DESING FOR PIN2 N/F AND CD PIN RETENTION.	12/23/2014	Arron Lin
E	NE-15134	REMOVE SHELL RIB MEET THE CURRENT	11/03/2015	Arron Lin



TAB2: CARTON LABEL (CONTENT BY ACTUAL)

P/N(1P) :	XXXXXXXXXXXX
QTY(Q) :	XXXX
P/O(Q) :	XXXXXXXXXXXX
DATE :	MM/DD/YYYY
G.W. :	XXX KG
RoHS	
Amphenol Taiwan Corporation	

TAB1: REEL LABEL (CONTENT BY ACTUAL)

P/N(1P) :	XXXXXXXXXXXX
QTY(Q) :	XXXX
P/O(Q) :	XXXXXXXXXXXX
DATE :	MM/DD/YYYY
G.W. :	XXX KG
RoHS	
Amphenol Taiwan Corporation	

PACKAGING BY TAPE&REEL	5.5	2.18	1000	5	5000	GTFP084XXBEU
	G/W KG	N/W KG	PCS/ REEL	REELS/ CARTON	QUANTITY (PCS)	PART NUMBER

TOLERANCE		APPROVALS	DATE	TITLE MICRO SD NORMAL OPEN TYPE (HEIGHT IS 1.85 MM)	Amphenol[®] Amphenol Corporation Amphenol Taiwan Corporation	
X. ±0.30		DRAWN Debby Hung	11/03/2015			
X.XX ±0.20		CHECKED Roger Tsai	11/03/2015			
X.XXX ±0.10		APPROVED Arron Lin	11/03/2015			
ANGULAR ±1°		DWG TYPE CUST DWG	PROJECT CODE OTHER		UNIT mm	SIZE A3
UNLESS OTHERWISE SPECIFIED				SCALE NA	SHEET 2 OF 2	PART No. GTFP084XXBEU DWG No. GTFP084XXBEU REV. E