

NOTES:

1. MATERIALS AND FINISHES:

BODY - BRASS, TIN PLATING
 CONTACT - PHOSPHOR BRONZE, GOLD PLATING
 INSULATOR - PTFE, NATURAL

2. ELECTRICAL:

A. IMPEDANCE: 75 OHM
 B. FREQUENCY RANGE: DC-12.0 GHz
 C. VSWR (RETURN LOSS): 1.22 (20dB)
 D. D.W.V: 1500 VRMS, MIN.

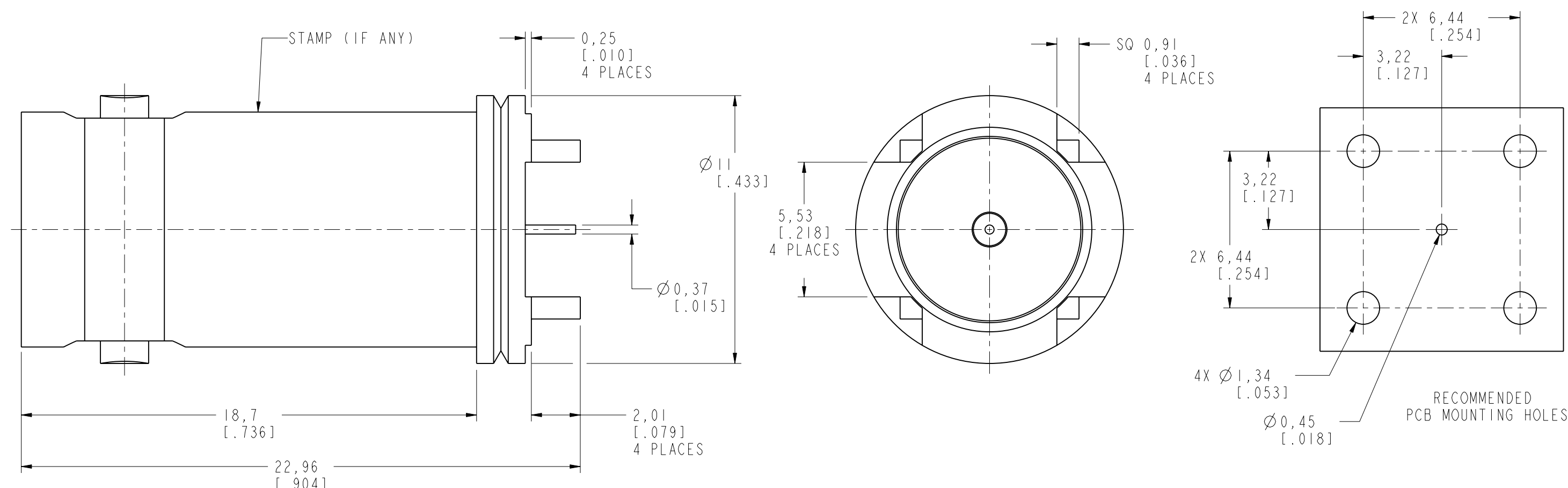
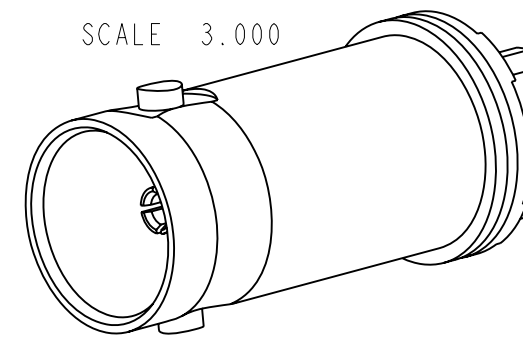
3. MECHANICAL:

A. DURABILITY: 500 CYCLES MIN.
 B. TEMPERATURE RANGE: -65°C TO +165°C

THIRD ANGLE PROJ.

REVISIONS

REV	DESCRIPTION	DATE	ECO	APPR
A	RELEASE TO MFG.	19-Apr-17	3463	RM



CUSTOMER OUTLINE DRAWING
 ALL OTHER SHEETS ARE FOR INTERNAL USE ONLY

UNLESS OTHERWISE SPECIFIED, DIMENSIONS ARE IN METRIC AND TOLERANCES ARE:
 <0.5mm ±0.05mm 0.5 - 6mm ±0.1mm 6 - 30mm ±0.2mm 30 - 120mm ±0.3mm ANGLES ±1°

NOTICE - These drawings, specifications, or other data (1) are, and remain the property of Amphenol corp. (2) must be returned upon request; and (3) are confidential and not to be disclosed to any person other than those to whom they are given by Amphenol Corp. the furnishing of these drawings, specifications, or other data by Amphenol Corp., or to any other person to anyone for any purpose is not to be regarded by implication or otherwise in any manner licensing, granting rights to permitting such holder or any other person to manufacture, use or sell any product, process or design, patented or otherwise, that may in any way be related to or disclosed by said drawings, specifications, or other data.

MATERIAL	-	DRAWN	B. GREENBAUM	DATE	05-Apr-17	TITLE	75 OHM BNC P.C.MOUNT RECEPT. JACK	Amphenol RF www.amphenolrf.com
REFERENCE	EAR# 7475	ENGINEER	B. GREENBAUM	DATE	05-Apr-17			
EXP#	--	APPROVED	S. HSIEH	DATE	19-Apr-17	SCALE: 6.0:1.0	SHEET 2 OF 2	DRAWING NO. 31-70536-12G
CONFIGURATION LEVEL:	In Work	CAD FILE				DWG SIZE	REV	ITEM NO. 31-70536-12G
FINISH						B	A	PART NO. 31-70536-12G