

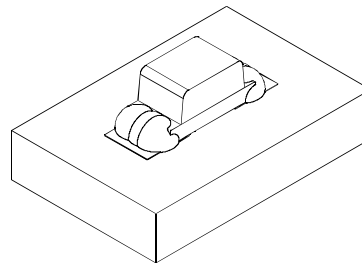
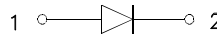
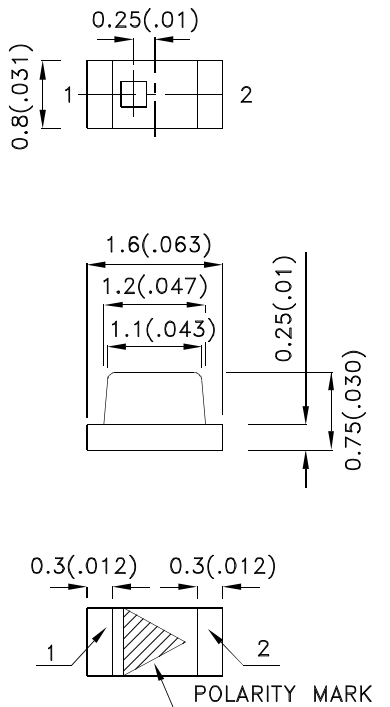
### Features

- 1.6mmX0.8mm SMT LED, 0.75mm thickness.
- Low power consumption.
- Wide viewing angle.
- Ideal for backlight and indicator.
- Various colors and lens types available.
- Package: 2000pcs / reel .
- Moisture sensitivity level : level 3.
- RoHS compliant.

### Description

The Super Bright Red source color devices are made with Gallium Aluminum Arsenide Red Light Emitting Diode.

### Package Dimensions



#### Notes:

1. All dimensions are in millimeters (inches).
2. Tolerance is  $\pm 0.1(0.004)$  unless otherwise noted.
3. The specifications, characteristics and technical data described in the datasheet are subject to change without prior notice.
4. The device has a single mounting surface. The device must be mounted according to the specifications.



## Selection Guide

| Part No.      | Dice                      | Lens Type   | Iv (mcd) [2]<br>@ 20mA |      | Viewing<br>Angle [1] |
|---------------|---------------------------|-------------|------------------------|------|----------------------|
|               |                           |             | Min.                   | Typ. | 2θ1/2                |
| APT1608SRCPRV | Super Bright Red (GaAlAs) | Water Clear | 55                     | 100  | 120°                 |
|               |                           |             | *12                    | *30  |                      |

Notes:

1. θ1/2 is the angle from optical centerline where the luminous intensity is 1/2 of the optical peak value.
2. Luminous intensity/ luminous Flux: +/-15%.

\* Luminous intensity value is traceable to the CIE127-2007 compliant national standards.

## Electrical / Optical Characteristics at TA=25°C

| Symbol             | Parameter                | Device           | Typ. |      | Max. | Units | Test Conditions           |
|--------------------|--------------------------|------------------|------|------|------|-------|---------------------------|
| λ <sub>peak</sub>  | Peak Wavelength          | Super Bright Red | 660  | *655 |      | nm    | I <sub>F</sub> =20mA      |
| λ <sub>D</sub> [1] | Dominant Wavelength      | Super Bright Red | 640  | *640 |      | nm    | I <sub>F</sub> =20mA      |
| Δλ <sub>1/2</sub>  | Spectral Line Half-width | Super Bright Red | 20   |      |      | nm    | I <sub>F</sub> =20mA      |
| C                  | Capacitance              | Super Bright Red | 45   |      |      | pF    | V <sub>F</sub> =0V;f=1MHz |
| V <sub>F</sub> [2] | Forward Voltage          | Super Bright Red | 1.85 |      | 2.5  | V     | I <sub>F</sub> =20mA      |
| I <sub>R</sub>     | Reverse Current          | Super Bright Red |      |      | 10   | uA    | V <sub>R</sub> =5V        |

Notes:

1. Wavelength: +/-1nm.
2. Forward Voltage: +/-0.1V.

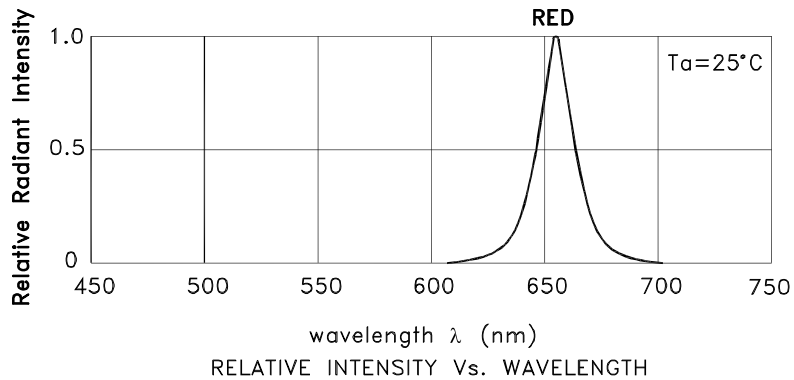
\* Wavelength value is traceable to the CIE127-2007 compliant national standards.

## Absolute Maximum Ratings at TA=25°C

| Parameter                | Super Bright Red | Units |
|--------------------------|------------------|-------|
| Power dissipation        | 75               | mW    |
| DC Forward Current       | 30               | mA    |
| Peak Forward Current [1] | 155              | mA    |
| Reverse Voltage          | 5                | V     |
| Operating Temperature    | -40°C To +85°C   |       |
| Storage Temperature      | -40°C To +85°C   |       |

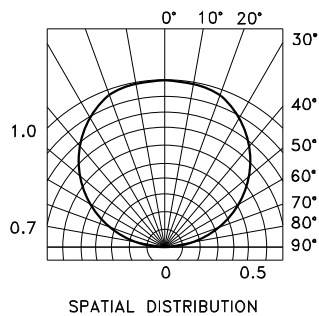
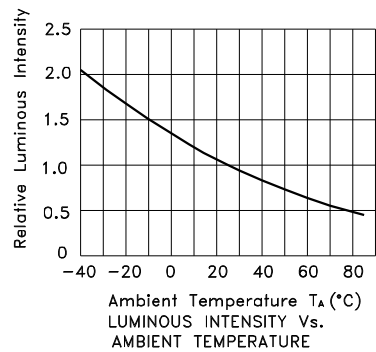
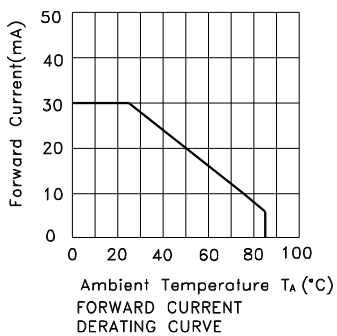
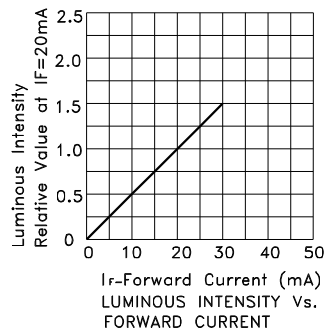
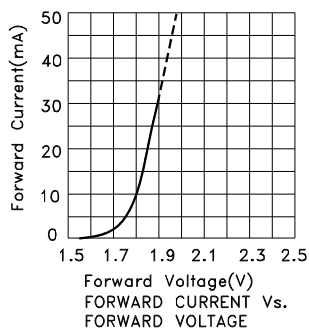
Note:

1. 1/10 Duty Cycle, 0.1ms Pulse Width.



## Super Bright Red

## APT1608SRCPRV



## APT1608SRCPRV

Reflow soldering is recommended and the soldering profile is shown below.  
Other soldering methods are not recommended as they might cause damage to the product.

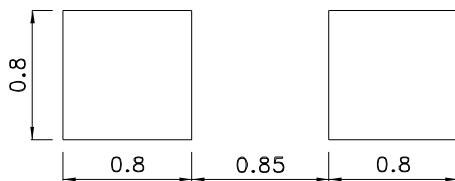
Reflow Soldering Profile For Lead-free SMT Process.



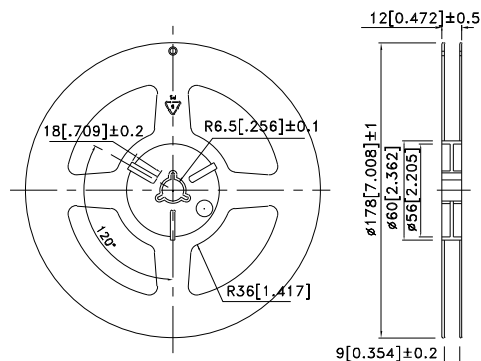
NOTES:

1. We recommend the reflow temperature 245°C (+/-5°C). The maximum soldering temperature should be limited to 260°C.
2. Don't cause stress to the epoxy resin while it is exposed to high temperature.
3. Number of reflow process shall be 2 times or less.

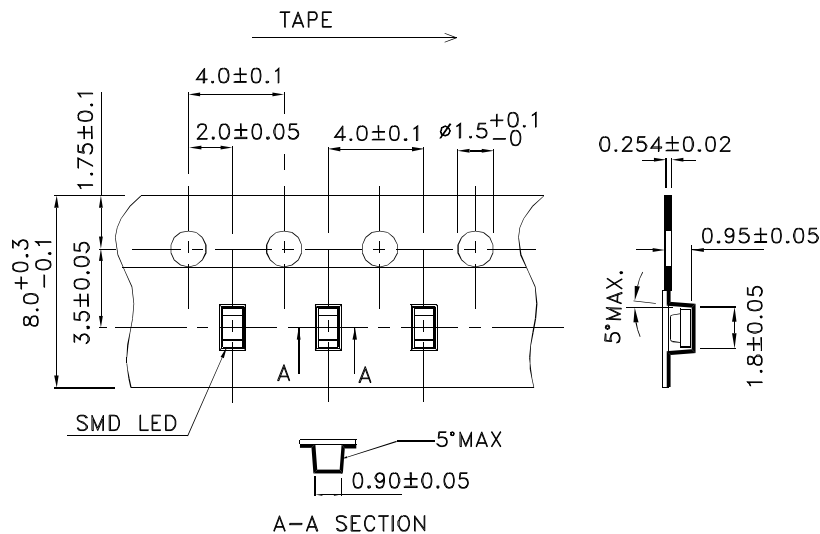
### Recommended Soldering Pattern (Units : mm; Tolerance: ± 0.1)



### Reel Dimension



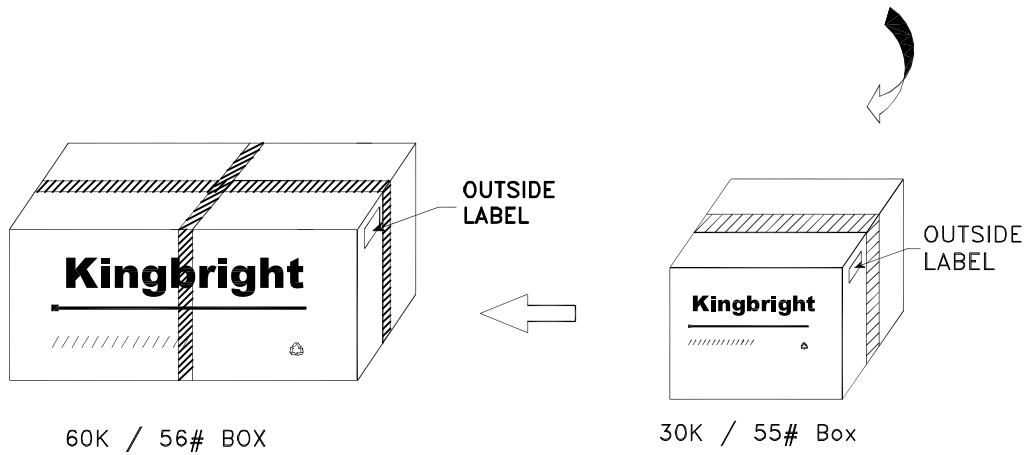
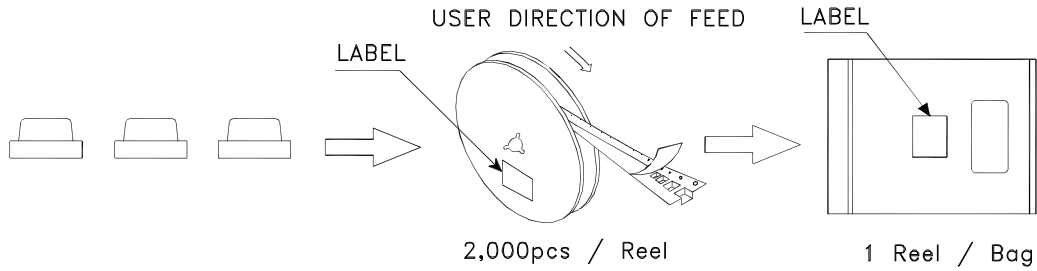
### Tape Dimensions (Units : mm)




# Kingbright

PACKING & LABEL SPECIFICATIONS

APT1608SRCPRV



|  |  |
|--|--|
| <h1>Kingbright</h1>  |  |
| P/NO: APT1608xxx   |  |
| QTY: 2,000 pcs   | Q.C. <span style="border: 1px solid black; border-radius: 50%; padding: 2px;">Q C<br/>XX XX XXXX<br/>PASSED</span> |
| S/N: XXXX  |  |
| CODE: XXX  |  |
| LOT NO:  |  |
| <br>XXXXXXXXXXXXXXXXXXXXXXXXXXXX |  |
| RoHS Compliant   |  |