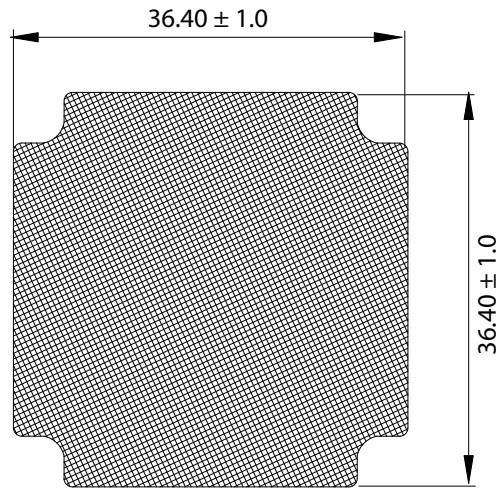


THESE DRAWINGS ARE THE PROPERTY OF QUALTEK ELECTRONICS AND NOT TO BE REPRODUCED FOR OR COMMUNICATED TO A THIRD PARTY WITHOUT THE EXPRESS WRITTEN PERMISSION OF AN OFFICER OF QUALTEK ELECTRONICS.

REVISION			
REV.	DESCRIPTION	DATE	APPROVED
B	RoHS Compliancy	06-01-06	DP



NOTES:

MEDIA \*  
 AVAILABLE IN:  
 XX = 30 PPI \*\*  
 45 PPI \*\*  
 60 PPI \*\*  
 100 PPI \*\*  
 \* UL 900 Class II  
 \*\* PORES PER INCH  
 RoHS COMPLIANT

**CONTROLLED**

Dim range (mm)	Tolerance +/- (mm)	Qualtek Electronics Corp. FAN-S DIVISION		
		Part Number: 09150-M/XX		RoHS Compliant
0-5	0.1	Description: FAN FILTER MEDIA		
5-16	0.15			
16-64	0.2	UNIT: mm	REV: B	
64-250	0.4	Drawn / Date	Checked / Date	Approved / Date
250-1000	0.5	B.ZHANG 10-10-02	10-10-02	JJH / 10-10-02
1000-1500	1.0			