

5

4

3

2

1



Description: 75 Ohm BNC Male To F Female  
 Part No: 28-75007  
 Application: Adapter  
 Crimp Tool: N/A  
 Impedance: 75 ohm  
 Frequency Range: 0-750 MHz  
 Material: Body Brass Nickel plated  
 Contact Beryllium Nickel plated  
 Insulator Delrin  
 Nut Zinc Nickel plated

RoHS Compliance: Yes

Technical Detail: F End Refer to Emerson Document P/N 25-0000  
 BNC End Refer to Emerson Document P/N 27-0000

DRAWING NO.  
28-75007

REVISIONS

01	OFFICIAL RELEASE				Betty 2009.09.08 09:36:27 +08'00'
	08-18-09	L	L	T	

D

D

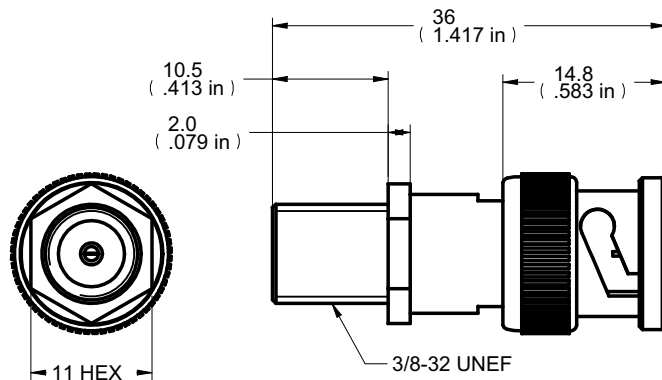
C

C

受控 CONTROLLED DOCUMENT					
编号 P/N	28-75007-C UST	版本 Rev	01	日期 Rel'd Date	SEP 14,09

B

B



**DIM OUTLINE**

CUSTOMER COPY

A

A

TOLERANCE UNLESS OTHERWISE SPECIFIED		DRAWN BY LINDA.WU	DATE 08-18-09
DECIMALS	mm	CHECKED BY LINDA.WU	DATE 08-18-09
X	± 0.5	APPROVED BY THOMAS	DATE 08-18-09
X.X	± 0.3		
X.XX	± 0.1		
ANGLES	± 0.5°	U/M	mm

**EMERSON**  
Network Power

**Connectivity Solutions**

TITLE  
75 OHM BNC MALE TO F FEMALE

THIS DRAWING WAS PRODUCED BY COMPUTER,  
DO NOT SCALE DRAWING OR UPDATE MANUALLY.

SHEET 1 OF 1	DRAWING NO. 28-75007	SIZE A
-----------------	-------------------------	-----------

5

4

3

2

1