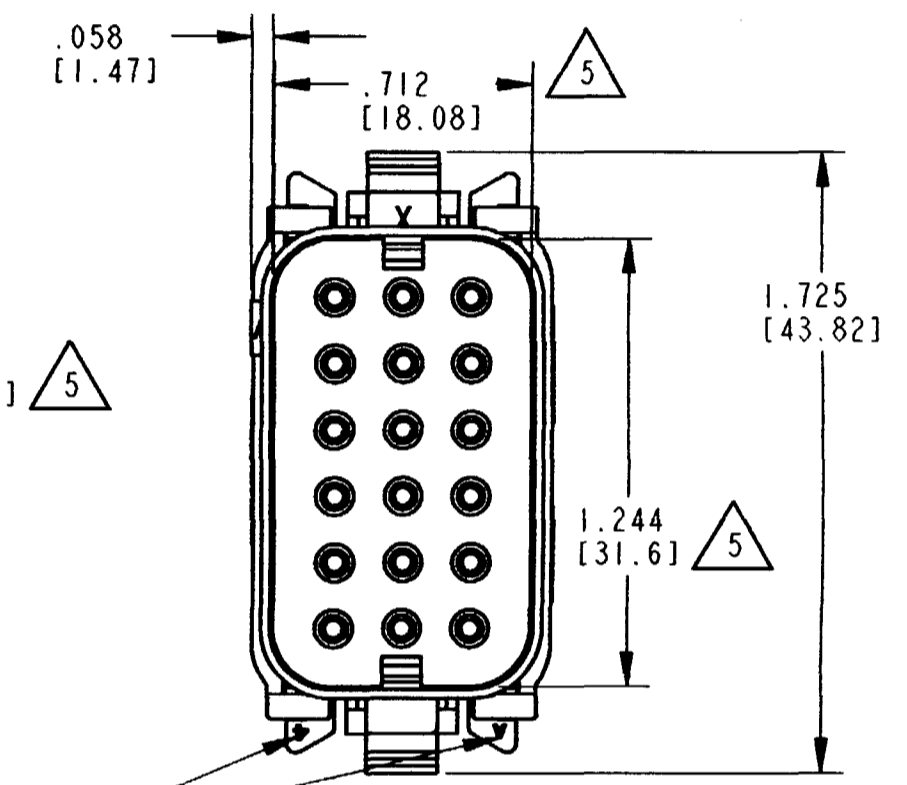
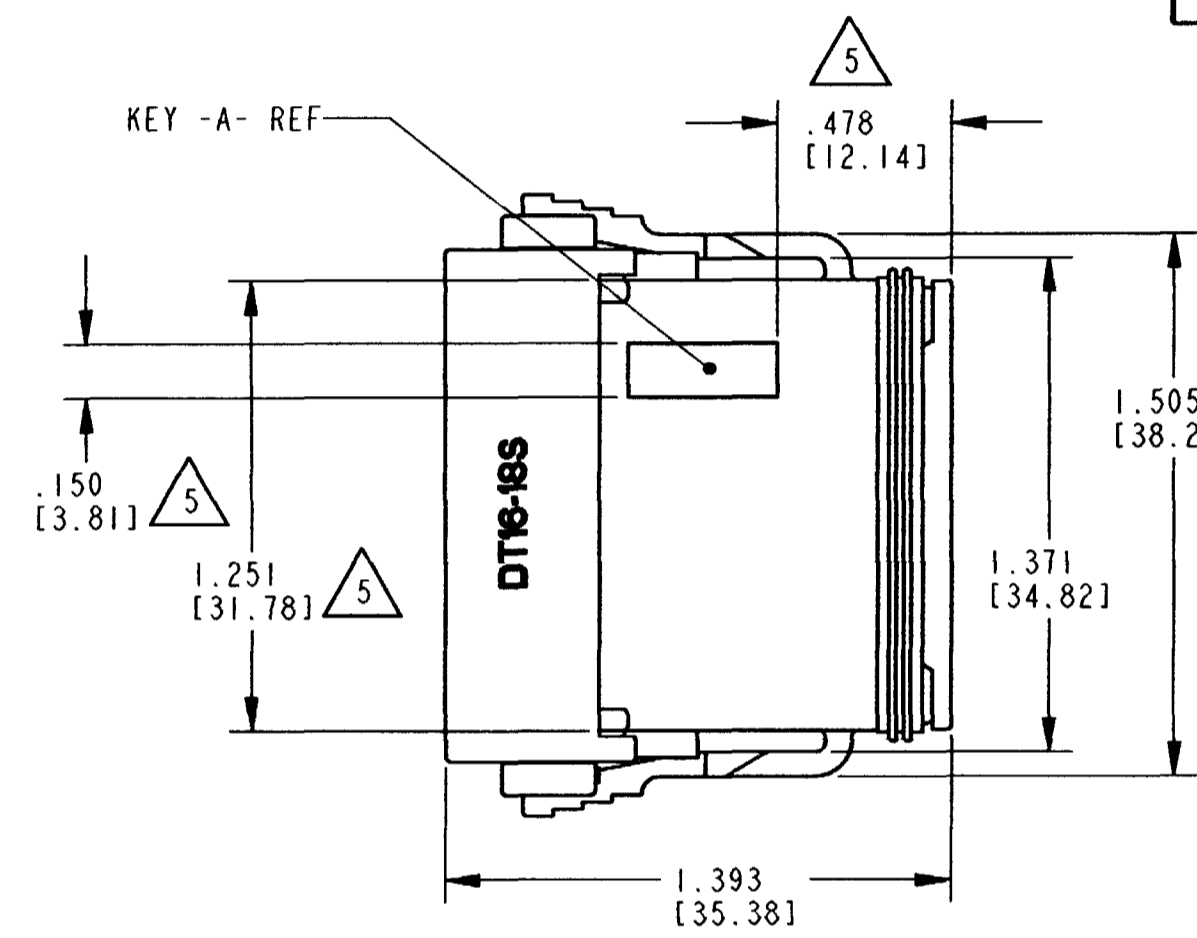
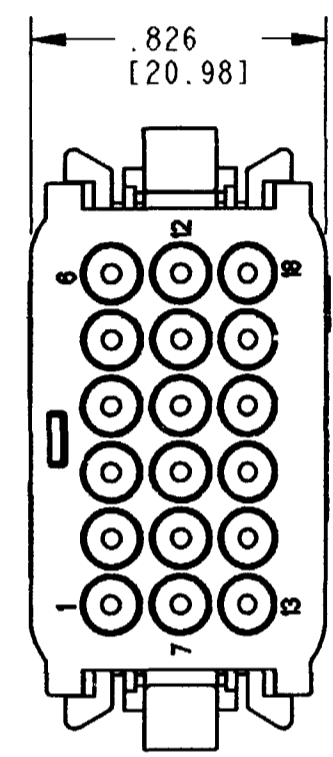


REV  
E DT16-18S\*-K004

REVISIONS			
SYM	DESCRIPTION	DATE	APPROVED
B	REVISED PER E.O. P18575	10/21/04	R.D.R
C	REVISED PER E.O. P18753	2/3/05	R.D.R
D	REVISED PER E.O. P19014	8/22/05	R.D.R
E	REVISED PER E.O. P19253	5-16-16	RDR



DATE CODE: MONTH IS REPRESENTED BY SEQUENTIAL ALPHA CHARACTERS EX: A = JANUARY  
YEAR IS REPRESENTED BY LAST NUMERICAL DIGIT EX: 4 = 2004

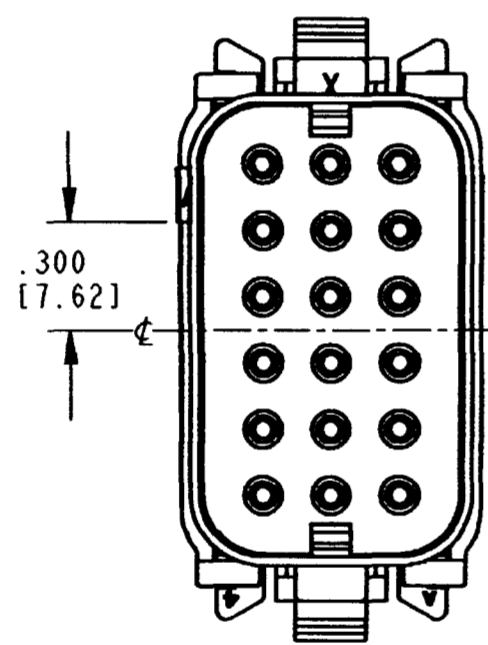
- 5. DIMENSIONS HELD BY DESIGN CONTROLS.
  - 4. MATERIAL: SHELL: PLASTIC; COLOR: BLACK  
SEAL: RUBBER
  - 3. FOR CONTACTS AND WIRE PERFORMANCES AND APPLICATION CHARACTERISTICS.  
SEE ENVELOPE DRAWINGS 0425-015-0000 AND 0425-017-0000.
  - 2. DIMENSIONS ARE ±.025 [.64] UNLESS OTHERWISE SPECIFIED.
  - 1. ALL DIMENSIONS ARE IN INCHES [MILLIMETERS].
- NOTES:

CONTACT SIZE	MIN. INSUL. O.D.	MAX. INSUL. O.D.	WIRE RANGE [mm <sup>2</sup> ]
16	.053 [1.35]	.120 [3.05]	14-20 AWG [2.0-0.5]

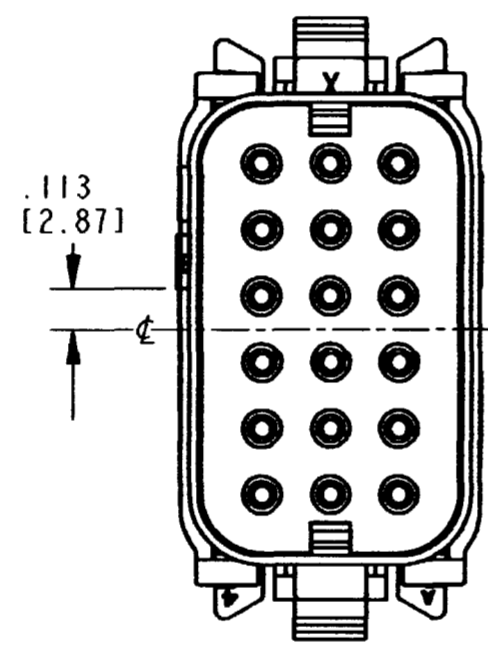
SIGNATURE & DATE		<b>18 WAY PLUG</b> <b>18 SIZE #16 CONTACTS</b> <b>-K004 MOD.</b> <b>D.T. SERIES</b>	CP	MATL. CODE
DR	X. SANCHEZ 22NOV02		<b>The Deutsch Company</b> DEUTSCH I.P.D. 3850 INDUSTRIAL AVE. HEMET, CALIF. 92545	
CHK	D. Meyer 5/15/06		<b>B DT16-18S*-K004</b>	
PE	[Signature] 5/16/06		DWG SIZE	CODE 11139
APPD	[Signature] 5-12-06	ENVELOPE		SHEET 1 OF 2
SCALE	NONE	WT		

REV E	DT16-18S*-K004	REVISIONS		
SYM	DESCRIPTION	DATE	APPROVED	
B	REVISED PER E.O. P18575	10/21/04	R.D.R.	
C	REVISED PER E.O. P18753	2/3/05	R.D.R.	
D	REVISED PER E.O. P19014	8/22/05	R.D.R.	
E	REVISED PER E.O. P19253	5-16-06	RDR	

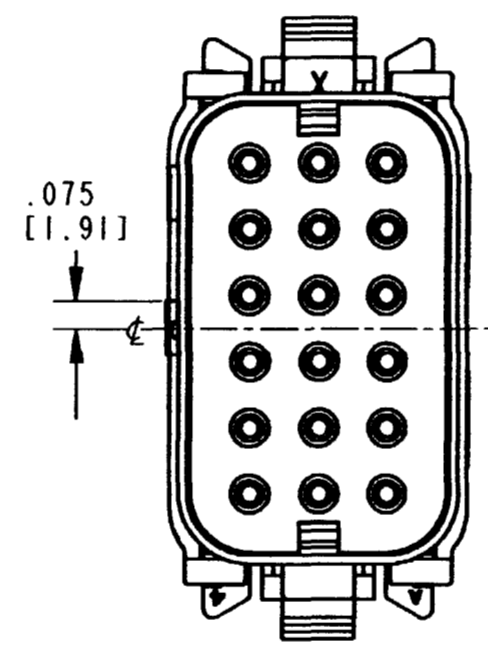
KEY ARR. -A-



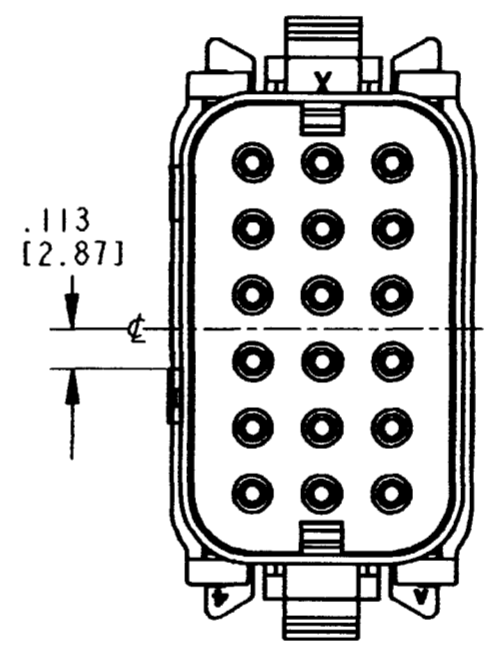
KEY ARR. -B-



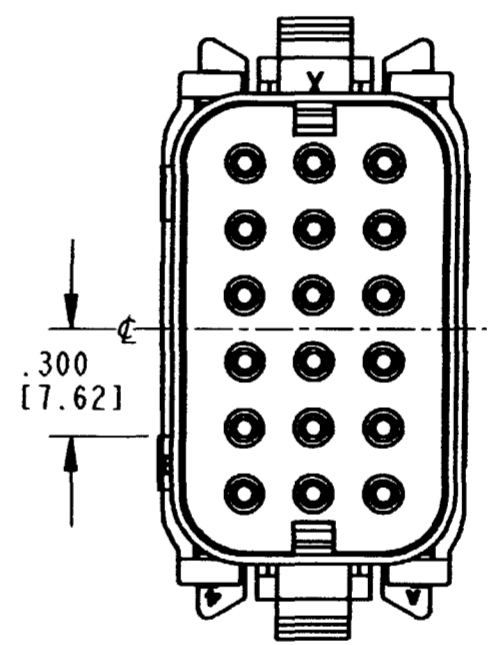
KEY ARR. -C-



KEY ARR. -D-



KEY ARR. -E-



NOTES:

SIGNATURE & DATE		18 WAY PLUG 18 SIZE #16 CONTACTS -K004 MOD. D.T. SERIES	CP	MATL. CODE	
DR	X. SANCHEZ 22NOV02		The Deutch Company DEUTSCH I. P. D. 3850 INDUSTRIAL AVE. HEMET, CALIF. 92545		
CHK	D. M... 5/15/06		B	DT16-18S*-K004	
PE	... 5/12/06			DWG SIZE	CODE 11139
APPD	S. ... 5-12-06	ENVELOPE			
SCALE	NONE	WT			