

PLEASE CHECK WWW.MOLEX.COM FOR LATEST PART INFORMATION

Part Number: [0760650001](#)
Status: **Obsolete**
Overview: [sfp_stacked_multiport_connectors](#)
Description: Small Form-factor Pluggable Plus (SFP+) Stacked 2-by-2 Multi-Port Press Fit Connector without Lightpipe Ports, EMI Metal Gasket, 80 Circuits, Tin (Sn)/Lead(Pb) Tails

Documents:
[Drawing \(PDF\)](#)

Agency Certification

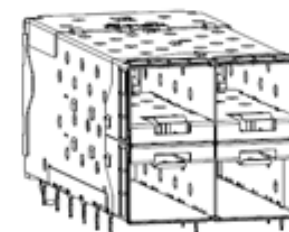
CSA	LR19980
UL	E29179

General

Product Family	I/O Connectors
Series	76065
Application	Module-to-Board
Component Type	Receptacle
Overview	sfp_stacked_multiport_connectors
Product Name	SFP Plus
Type	N/A

Physical

Boot Color	N/A
Circuits (Loaded)	80
Circuits (maximum)	80
Circuits Detail	80
Color - Resin	Black
Durability (mating cycles max)	100
Flammability	94V-0
Gender	Female
Keying to Mating Part	None
Lock to Mating Part	Yes
Material - Metal	High Performance Alloy (HPA)
Material - Plating Mating	Gold
Material - Plating Termination	Tin-Lead
Material - Resin	High Temperature Thermoplastic
Number of Rows	2
Orientation	Right Angle
PC Tail Length (in)	0.081 In
PC Tail Length (mm)	2.07 mm
PCB Locator	Yes
PCB Retention	Yes
PCB Thickness Recommended (in)	0.062 In
PCB Thickness Recommended (mm)	1.57 mm
Packaging Type	Tray
Panel Mount	No
Pitch - Mating Interface (in)	0.031 In
Pitch - Mating Interface (mm)	0.80 mm
Pitch - Term. Interface (in)	0.031 In
Pitch - Term. Interface (mm)	0.80 mm
Plating min: Mating (µin)	30.4
Plating min: Mating (µm)	0.76
Plating min: Termination (µin)	30.4
Plating min: Termination (µm)	0.76



Series

image - Reference only

EU RoHS

RoHS Compliant by Exemption

REACH SVHC

Contains SVHC: No

Halogen-Free

Status

Halogen-Free

China RoHS



Pb

Need more information on product environmental compliance?

Email productcompliance@molex.com
 For a multiple part number RoHS Certificate of Compliance, [click here](#)

Please visit the [Contact Us](#) section for any non-product compliance questions.

Search Parts in this Series

[76065Series](#)

Use With

[0759510999 SFP Dust Plug,](#)

Application Tooling | [FAQ](#)

Tooling specifications and manuals are found by selecting the products below. Crimp Height Specifications are then contained in the Application Tooling Specification document.

Global

Description	Product #
SFP Stacked Multi-Port Insertion Tool, 2 by 2	0622029970
SFP Stacked Multi-Port Extraction Tool, 2 by 2	0622029975

Polarized to Mating Part	Yes
Polarized to PCB	Yes
Ports	4
Surface Mount Compatible (SMC)	Yes
Temperature Range - Operating	-40°C to +85°C
Termination Interface: Style	Through Hole - Compliant Pin
Waterproof / Dustproof	No

Electrical

Current - Maximum per Contact	0.5A
Grounding to Panel	None
Shield Type	EMI Gasket
Shielded	Yes
Voltage - Maximum	120V AC (RMS)/DC

Material Info

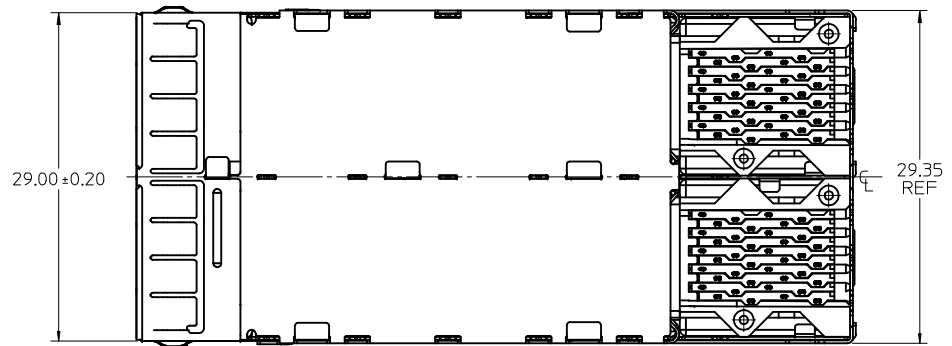
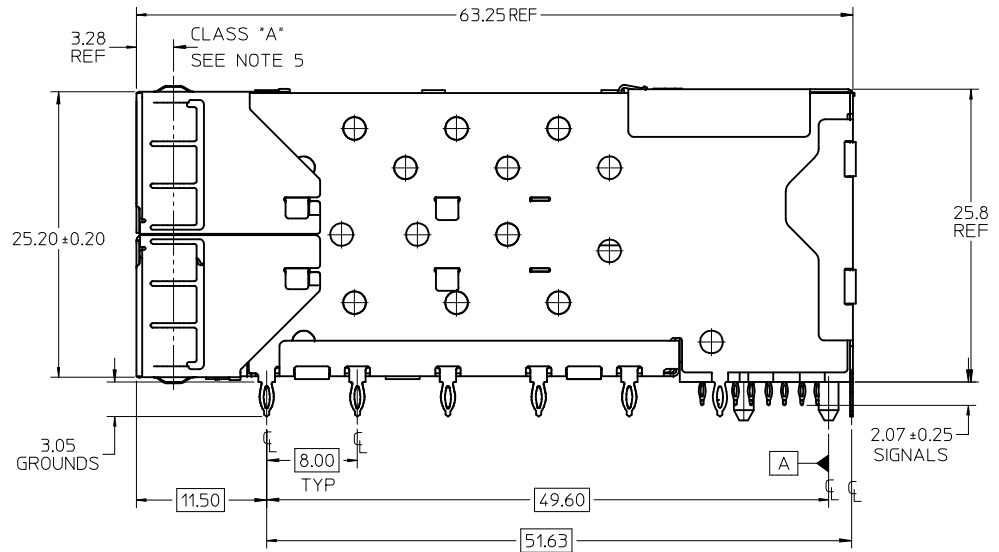
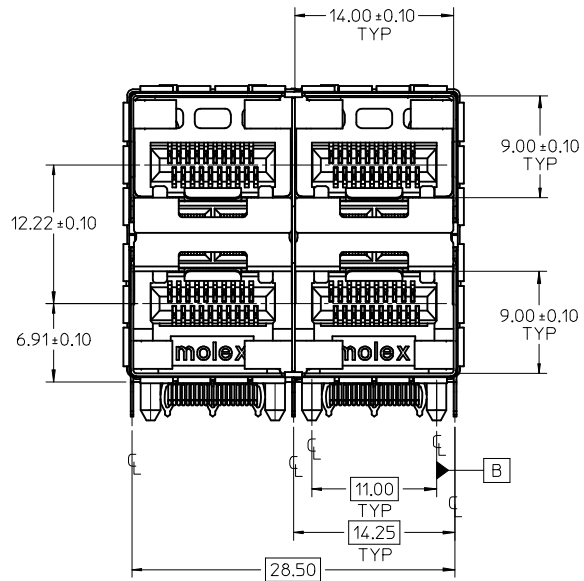
Reference - Drawing Numbers

Application Specification	AS-75310-001
Packaging Specification	PK-75714-001
Product Specification	PS-75310-001
Sales Drawing	SD-76065-001

This document was generated on 06/04/2010

PLEASE CHECK WWW.MOLEX.COM FOR LATEST PART INFORMATION

PART NUMBER	COMPLIANT TAIL PLATING
760650001	TIN / LEAD
760655001	TIN



NOTES

1. MATERIAL:

- CAGE: NICKEL SILVER, THICKNESS: 0.25mm
- EMI METAL GASKET: PHOS-BRONZE
- CONNECTOR HOUSING: GLASS FILLED HIGH TEMP PLASTIC, 94 V-0 COLOR BLACK
- OVERMOLDED TERMINALS HOUSING: GLASS FILLED HIGH TEMP PLASTIC, 94 V-0, COLOR: BLACK
- TERMINALS: TIN BRASS

2. FINISH:

- LIGHT PIPE HOUSING: 150 MICRONS NICKEL OVER 150 MICRONS COPPER
- TERMINAL: CONTACT AREA: 0.76 MICRONS MIN, HARD GOLD OVER 1.27 MICRONS MIN. NICKEL.
- COMPLIANT TAIL - TIN/LEAD OPTION: 0.76 - 1.52 MICRONS 90/10 TIN/LEAD OVER 0.76 - 1.52 MICRONS NICKEL
- COMPLIANT TAIL - TIN OPTION: 0.76 - 1.52 MICRONS TIN OVER 0.76 - 1.52 MICRONS NICKEL
- EMI METAL GASKET: 2.54 MICRONS NICKEL OVERALL

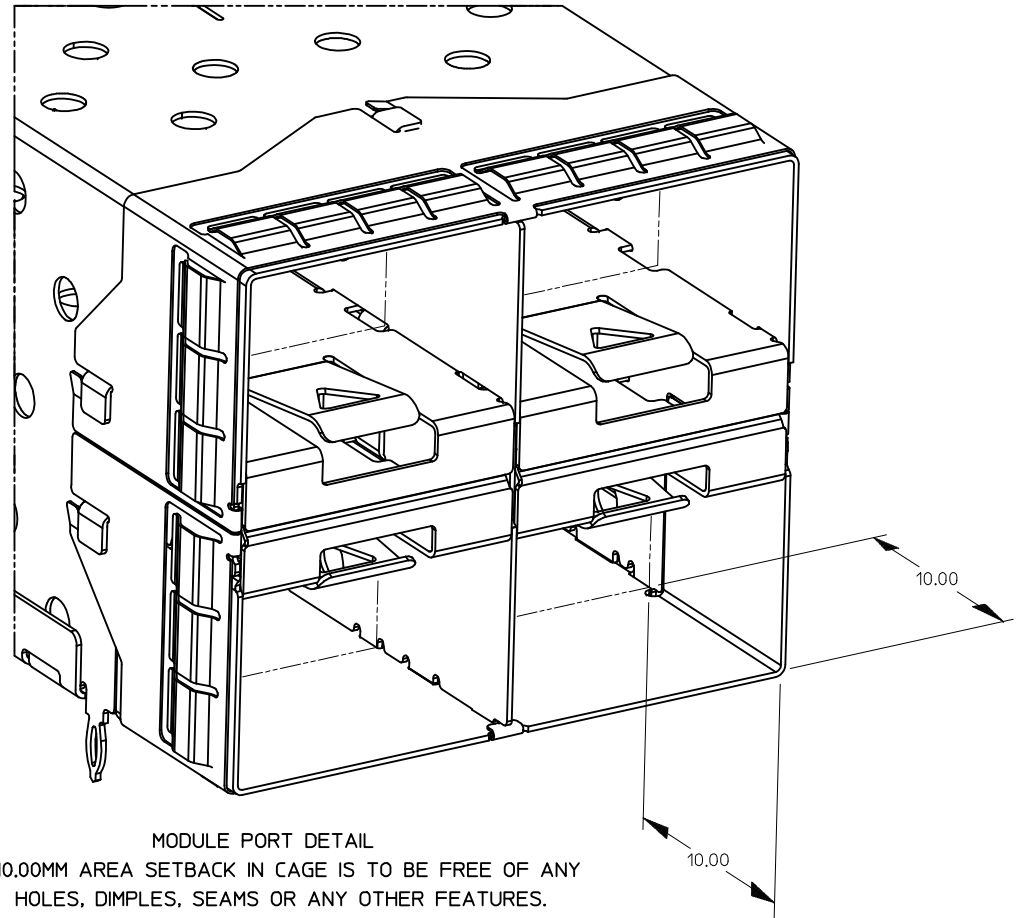
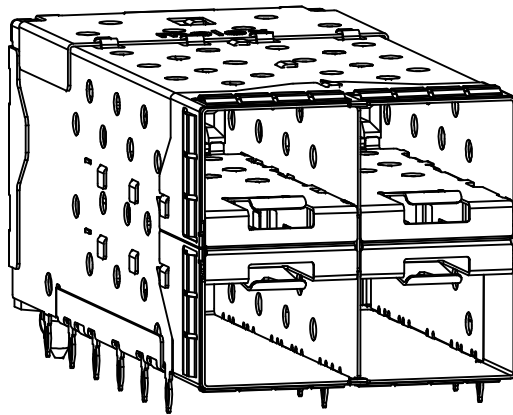
3. REFER TO PS-75310-001 PRODUCT SPEC FOR ALL ELECTRICAL, MECHANICAL, AND ENVIRONMENTAL SPECIFICATIONS.

4. REFER TO PK-75714-001 FOR ALL PACKAGING SPECIFICATIONS.

5. ALL EXTERIOR SURFACES TO BE CLASS 'B' SURFACE EXCEPT THE UNDER SIDE OF THE CAGE WHERE THE PCB WOULD BE LOCATED AND AS NOTED. THE SURFACES TO CONFORM TO THE MOLEX COSMETIC DOC PS-45499-002.

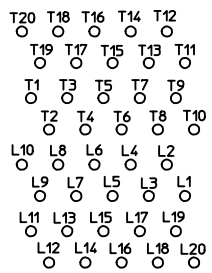
ADD KEEP-OUT ZONES EC NO: UCP2009-1356 DRWN:MSI BARRA 2009/08/04 CHKD:BBARKER 2009/08/06 APPR:SMILLER 2009/08/06	QUALITY SYMBOLS ▽=0 ▽=0	GENERAL TOLERANCES (UNLESS SPECIFIED)		DIMENSION STYLE MM ONLY	SCALE 3:1	DESIGN UNITS METRIC	THIRD ANGLE PROJECTION		
		4 PLACES ± --- ± ---	3 PLACES ± --- ± ---	2 PLACES ± 0.13 ± ---	1 PLACE ± 0.25 ± ---	DRAWN BY MSANDBERG	DATE 10-23-06	TITLE STACKED SFP+ 2X2 ASS'Y WITH METAL EMI GASKET	
		ANGULAR ± 5 °				CHECKED BY JLONG	DATE 10-23-06	MOLEX INCORPORATED	
		DRAFT WHERE APPLICABLE MUST REMAIN WITHIN DIMENSIONS				APPROVED BY RNELSON	DATE 10-23-06	DOCUMENT NO. SD-76065-001	SHEET NO. 1 OF 4

THIS DRAWING CONTAINS INFORMATION THAT IS PROPRIETARY TO MOLEX INCORPORATED AND SHOULD NOT BE USED WITHOUT WRITTEN PERMISSION

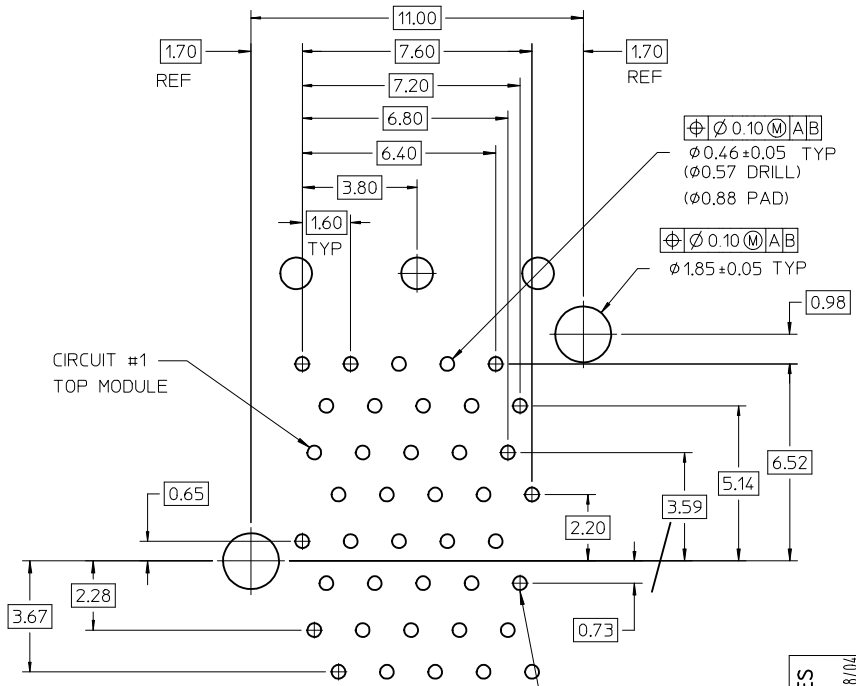


MODULE PORT DETAIL
 10.00MM AREA SETBACK IN CAGE IS TO BE FREE OF ANY HOLES, DIMPLES, SEAMS OR ANY OTHER FEATURES.
 (4 SIDES PER MODULE PORT)

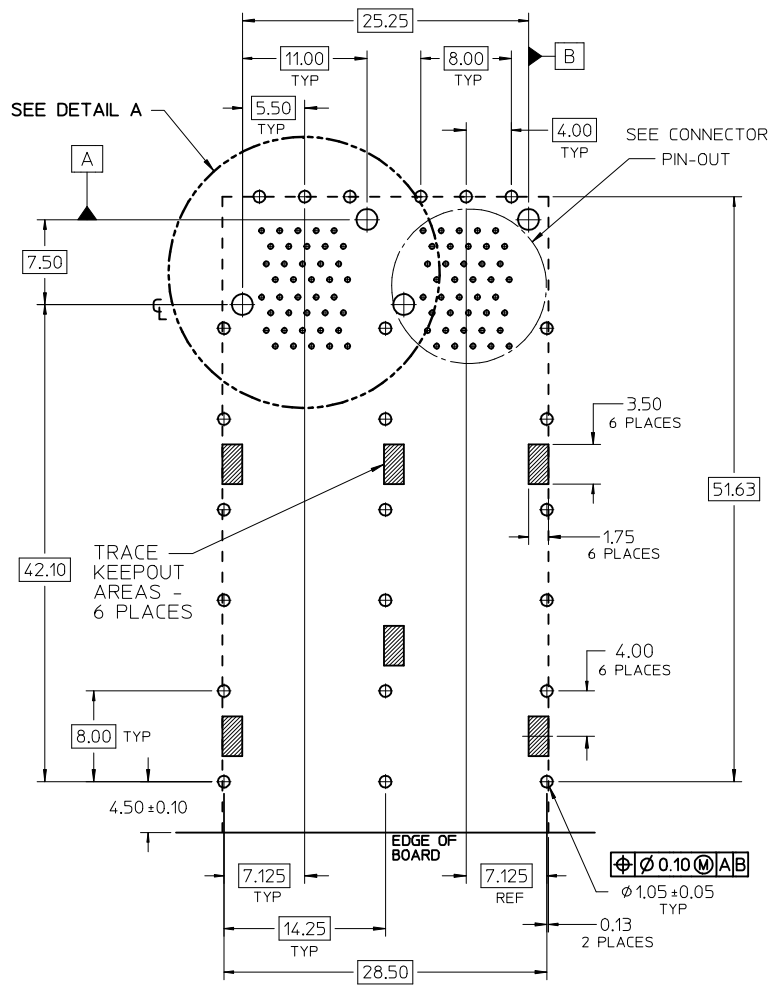
SEE SHEET 1 EC NO: UCP2009-1356 DRWN:MSI BARRA 2009/08/04 CHKD:BBARKER 2009/08/06 APPR:SMILLER 2009/08/06	QUALITY SYMBOLS ▽=0 ▽=0	GENERAL TOLERANCES (UNLESS SPECIFIED) mm INCH 4 PLACES ± --- ± --- 3 PLACES ± --- ± --- 2 PLACES ± 0.13 ± --- 1 PLACE ± 0.25 ± --- ANGULAR ± 5 °	DIMENSION STYLE MM ONLY DRAWN BY DATE MSANDBERG 10-23-06 CHECKED BY DATE JLONG 10-23-06 APPROVED BY DATE RNELSON 10-23-06	SCALE 3:1 DESIGN UNITS METRIC THIRD ANGLE PROJECTION	TITLE STACKED SFP+ 2X2 ASS'Y WITH METAL EMI GASKET
	MATERIAL NO. SEE CHART	DOCUMENT NO. SD-76065-001	SHEET NO. 2 OF 4		
	DRAFT WHERE APPLICABLE MUST REMAIN WITHIN DIMENSIONS				
	THIS DRAWING CONTAINS INFORMATION THAT IS PROPRIETARY TO MOLEX INCORPORATED AND SHOULD NOT BE USED WITHOUT WRITTEN PERMISSION				



CONNECTOR PIN-OUT
 COMPONENT SIDE OF BOARD

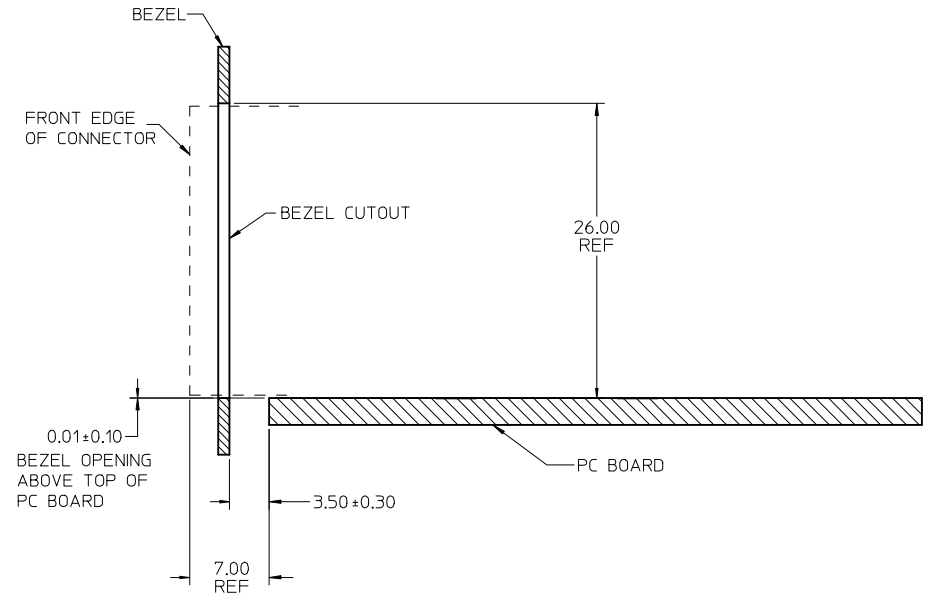


DETAIL A
 SCALE 8:1

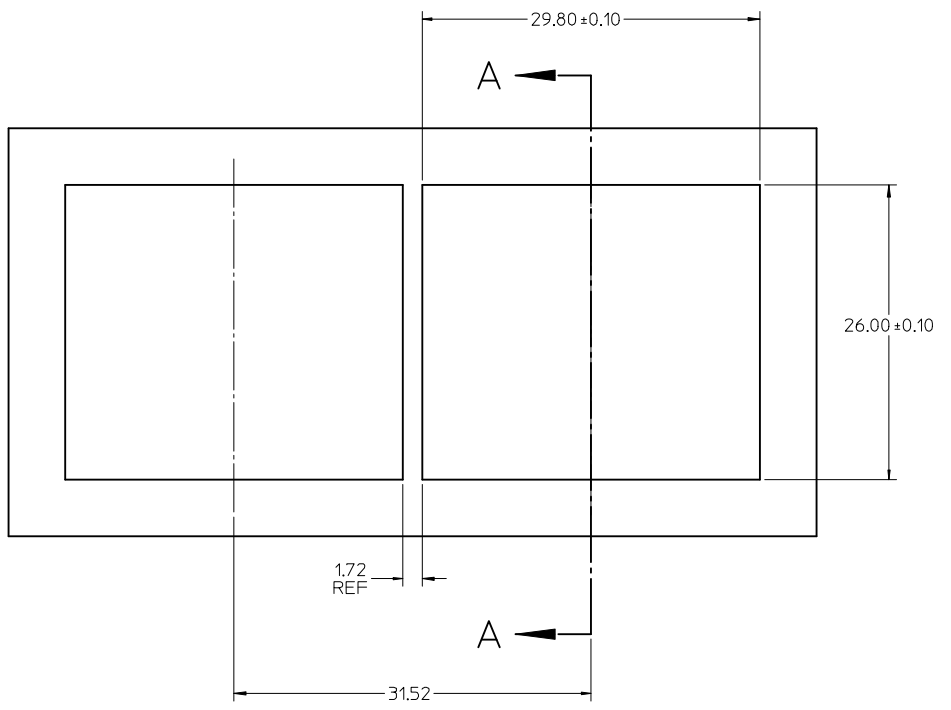


RECOMMENDED PCB LAYOUT - COMPONENT SIDE
 RECOMMENDED PCB THICKNESS - 2.36 MM (.093 INCH)
 THE ENTIRE AREA OF THE CONNECTOR FOOTPRINT
 TO BE CONSIDERED THE KEEP OUT AREA FOR COMPONENTS
 THIS AREA IS INDICATED BY THE DASHED LINE

ADD KEEP-OUT ZONES EC NO: UCP2009-1356 DRWN:MSI BARRA 2009/08/04 CHKD:BBARKER 2009/08/06 APPR:SMILLER 2009/08/06	QUALITY SYMBOLS ▽=0 ▽=0	GENERAL TOLERANCES (UNLESS SPECIFIED)		DIMENSION STYLE MM ONLY	SCALE 3:1	DESIGN UNITS METRIC	THIRD ANGLE PROJECTION	
		4 PLACES ± --- ± --- 3 PLACES ± --- ± --- 2 PLACES ± 0.13 ± --- 1 PLACE ± 0.25 ± ---	DRAWN BY MSANDBERG	DATE 10-23-06	TITLE STACKED SFP+ 2X2 ASS'Y WITH METAL EMI GASKET			
		ANGULAR ± 5 °	CHECKED BY JLONG	DATE 10-23-06	MOLEX INCORPORATED			
		DRAFT WHERE APPLICABLE MUST REMAIN WITHIN DIMENSIONS	APPROVED BY RNELSON	DATE 10-23-06	MATERIAL NO. SEE CHART	DOCUMENT NO. SD-76065-001	SHEET NO. 3 OF 4	



SECTION A-A



BEZEL CUT-OUT CENTER SPACING DETAIL
BEZEL THICKNESS: 0.8 - 2.6

SEE SHEET 1 EC NO: UCP2009-1356 DRAWN BY: DRWINHSI BARRA 2009/08/04 CHKD: BBARKER 2009/08/06 APPR: SMILLER 2009/08/06	QUALITY SYMBOLS ▼=0 ▽=0	GENERAL TOLERANCES (UNLESS SPECIFIED) <table border="1"> <tr> <th></th> <th>mm</th> <th>INCH</th> </tr> <tr> <td>4 PLACES</td> <td>± .10</td> <td>± .004</td> </tr> <tr> <td>3 PLACES</td> <td>± .13</td> <td>± .005</td> </tr> <tr> <td>2 PLACES</td> <td>± 0.13</td> <td>± .005</td> </tr> <tr> <td>1 PLACE</td> <td>± 0.25</td> <td>± .010</td> </tr> </table>		mm	INCH	4 PLACES	± .10	± .004	3 PLACES	± .13	± .005	2 PLACES	± 0.13	± .005	1 PLACE	± 0.25	± .010	DIMENSION STYLE MM ONLY	SCALE 3:1	DESIGN UNITS METRIC	THIRD ANGLE PROJECTION
		mm	INCH																		
	4 PLACES	± .10	± .004																		
	3 PLACES	± .13	± .005																		
2 PLACES	± 0.13	± .005																			
1 PLACE	± 0.25	± .010																			
MATERIAL NO. SEE CHART	DRAWN BY MSANDBERG	DATE 10-23-06	TITLE STACKED SFP+ 2X2 ASS'Y WITH METAL EMI GASKET	MOLEX INCORPORATED																	
DRAFT WHERE APPLICABLE MUST REMAIN WITHIN DIMENSIONS	CHECKED BY JLONG	DATE 10-23-06	APPROVED BY RNELSON	DATE 10-23-06	DOCUMENT NO. SD-76065-001	SHEET NO. 4 OF 4															
SIZE C	THIS DRAWING CONTAINS INFORMATION THAT IS PROPRIETARY TO MOLEX INCORPORATED AND SHOULD NOT BE USED WITHOUT WRITTEN PERMISSION																				